

**BLUMOTION**

inside

**SERVO-DRIVE**

inside



# TANDEM plus BLUMOTION

Universal – practical – smooth

For pull-outs of all sorts





# Fulfil every wish with a single programme

You'd like wooden pull-outs and drawers with a feather-light glide for the whole home? You've got it with TANDEM. The comprehensive TANDEM programme has the right solution for every item of furniture.

## Content

### Applications

Discover the possibilities of the TANDEM programme ...

- 6–7 ... for living-rooms
- 8–9 ... for bedrooms
- 10–11 ... for kitchens
- 12–13 ... for bathrooms and children's rooms

### Beautiful and practical

Find out how the TANDEM runner helps you create beautiful and practical furniture.

- 14–15 Optimise workflows and create storage wonders
- 16–17 Give users that feeling of quality
- 18–19 Guarantee a feather-light glide a furniture lifetime
- 20–21 Use innovative fittings that produce design opportunities

### Technical information

Read how easy it is to assemble and order products.

- 22–23 Assembly devices
- 24–25 Planning and assembly
- 26–29 Order specifications

- 30–31 **The Blum brand**

# The TANDEM programme ...



You'll find the right solution for every room thanks to:

- A wide range of nominal lengths
- Different loading-bearing classes (30 kg and 50 kg)
- Single and full extensions
- Optional features such as the SERVO-DRIVE electric opening system and the TIP-ON mechanical opening system

A single system in terms of appearance and assembly – a big advantage for you and your customers:

- Concealed. The runners cannot be seen – regardless of the size of the drawer or pull-out.
- Easy to plan because the drawer dimensions for full and single extensions and 30 kg and 50 kg runners are compatible.
- Simple to assemble and install thanks to assembly devices and machines.



... designed to meet customers' requirements



Practical  
insights produce  
practical furniture

Talks with cabinet-makers, furniture manufacturers and users have shown that furniture has to satisfy a great many different needs. It has to suit personal tastes, be practical, provide lots of storage space, do different things in different rooms, etc., etc., etc.

For Blum, it's important that our TANDEM runner system meets as many different wishes and needs as possible.

## Applications for living-rooms ...



... and for entrance halls

## Flexibility



The easy way to create modern furniture

The TANDEM programme allows you to implement a multitude of ideas, e.g. extra wide pull-outs, lowboards and pull-out surrounds. We've developed optional side stabilisation especially for wide pull-outs with short nominal lengths. And even heavily laden drawers or pull-outs will have a soft close with BLUMOTION.



Even small drawers can have a feather-light glide

Sunglasses, keys and notepads – all kinds of odds and ends need to be kept in hallway furniture. That's why you often only need small drawers. But that doesn't mean your customers have to do without TANDEM's feather-light glide. Our wide range of runners also includes short nominal lengths.







# Applications for bedrooms

## Freedom of design



### Dream furniture

The TANDEM programme opens up numerous design opportunities in bedrooms – be it a walk-in dressing room or a classic wardrobe. Full extension gives you full access to the very back of drawers.

And you can always rely on BLUMOTION for a soft close.

## Stability

### For heavy everyday use in kitchens

Kitchen pull-outs and drawers get a lot of wear and tear. They're opened and closed many times a day – and filled with heavy items such as pans, storage jars and plates. Thanks to the tried and tested quality of Blum products, the TANDEM runner system can take the daily grind – a furniture lifetime. What's more, you can use TANDEM for many applications: wide pull-outs, SPACE CORNER cabinets and pull-out surrounds, to mention but a few.







## Applications for bathrooms ...



## Individuality

### Furniture that plays along

Children can be pretty rough with furniture. But TANDEM runners are really tough, so children can even lean on drawers and pull-outs.

What's more important, TANDEM pull-outs provide plenty of space for all those teddy bears, toys and important treasures.



### Creative solutions for bathrooms

Bathroom furniture needs to be well thought out. So it's good to know that the TANDEM programme gives you wide drawers with short nominal lengths – thanks to optional side stabilisation. Another important factor in bathrooms is protection against corrosion.

No worries here with TANDEM's zinc plated runners and nylon roller carriages.

**Beautiful and practical**



# Beautiful and practical

Furniture should not only look good, it should be practical too – thanks to intelligent fittings solutions behind fronts. We've been investigating the needs of kitchen users all over the world for many years within the framework of DYNAMIC SPACE. The insights we gain lead to the development of new products which make opening and closing furniture simple and easy.

## **Optimise workflows**

Well-planned and innovative furniture interiors ensure smooth and ergonomic workflows.

## **Provide storage space**

Furniture should provide enough storage space. Clever planning helps to produce valuable extra space.

## **Produce that quality feeling**

Soft-close BLUMOTION is just one of the many Blum features that catch the imagination of furniture users worldwide.

## **Guarantee top quality**

Quality is the driving force behind the entire development and manufacturing process of our products. Our goal is perfect motion a furniture lifetime.

## **Offer innovations**

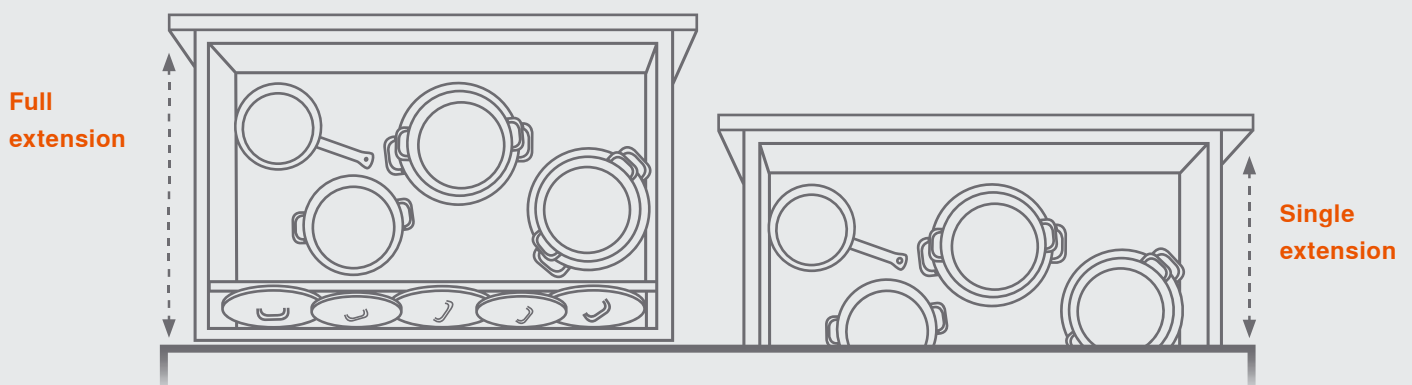
Our innovations are milestones in the furniture industry. They make furniture modern and practical – for many years to come.





## TANDEM – everything runs smoothly

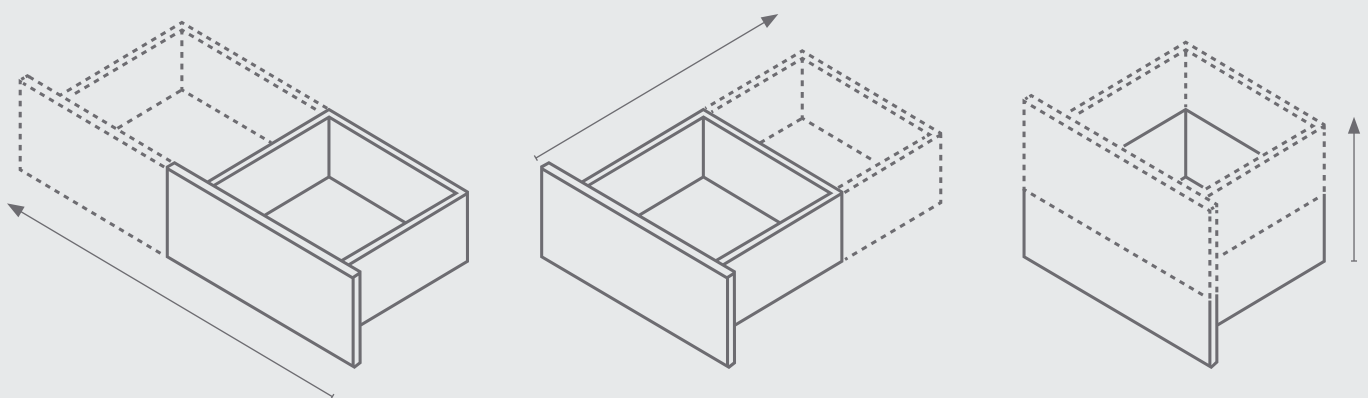
TANDEM full extensions provide your customers with full access to interiors. They open completely so you can get to the very back of drawers. Add to that our ORGA-LINE system with its flexible arrangement of containers, longside dividers and cross dividers and everything is exactly where it should be. What's more, drawers and pull-outs open at a single touch with our electric SERVO-DRIVE for TANDEM – which comes in especially handy when your hands are full.





## Gliding storage wonders

TANDEM gives you extra wide, high and deep pull-outs, producing extra storage space. These pull-outs weigh more, but the 30 kg and 50 kg runners still exceed expectations. They are extremely stable, have low sag values and a feather-light glide.



**Flexible width, depth and height**



## TANDEM makes you feel good

A feather-light glide, soft-close BLUMOTION and easy opening with the SERVO-DRIVE electric opening system – that's what TANDEM's all about. It's the ease of use and quality of motion that inspire your customers. Why? Because they'll enjoy opening and closing furniture!







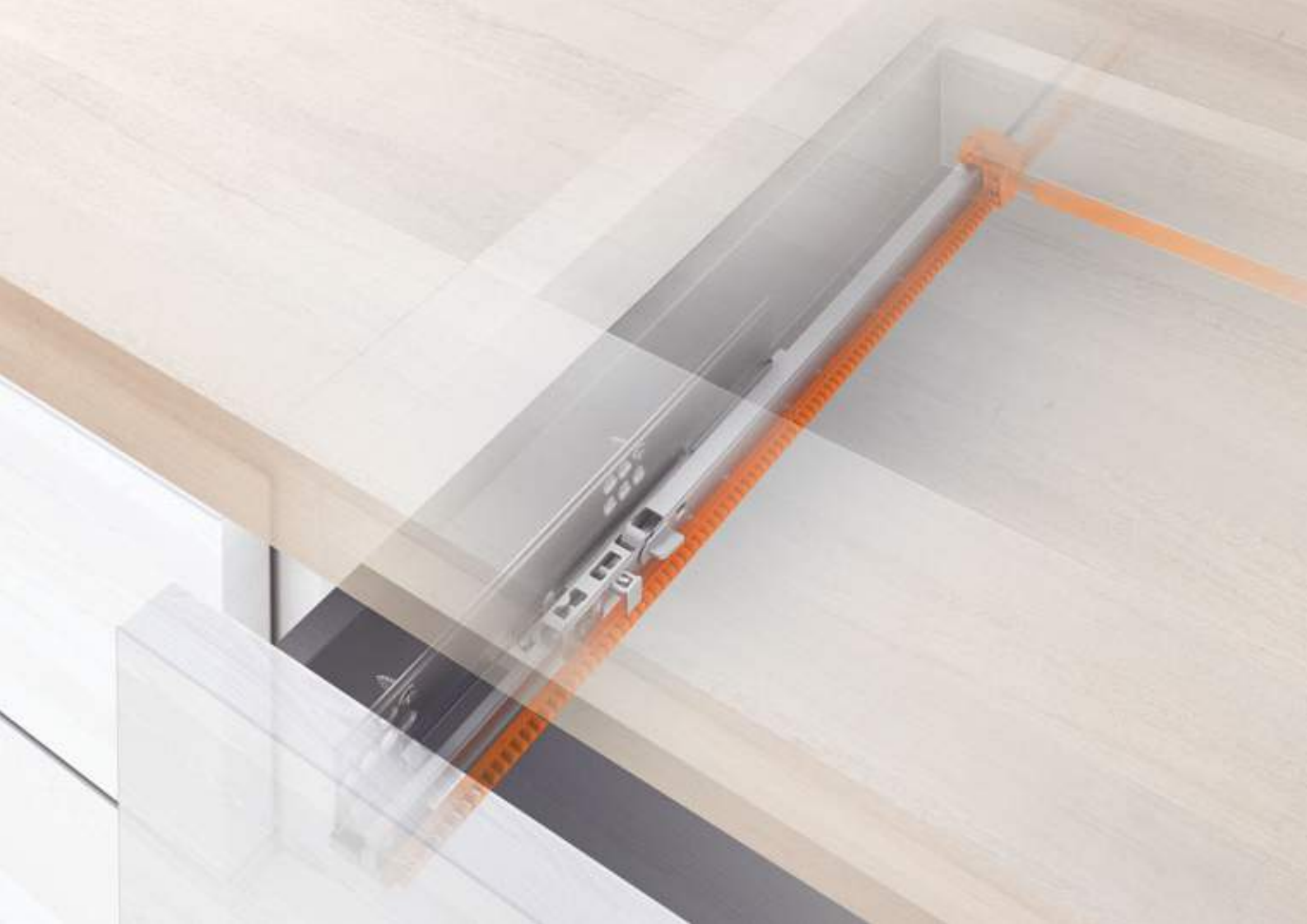
## A feather-light glide a furniture lifetime

Like all our products, TANDEM doesn't just meet basic quality standards and guidelines. Our runner system has been designed to meet all the requirements of everyday use. Talks with furniture manufacturers have shown that it's a tough life for furniture. TANDEM's smooth running action, dampened profile transitions and low-friction cylindrical nylon roller runners are all maintenance-free. They are lasting quality features that are tested millions of times and used to the utmost satisfaction of users all over the world.









## Innovative fittings make your furniture fit for the future

Our innovations make furniture functional in the long term and they embrace the latest trends. Our side stabilisation for wide pull-outs with short nominal lengths provides a reliable, stable parallel running action. And extra wide and large pull-outs can be used near the floor thanks to the excellent sag values of our TANDEM runners.





**SERVO-DRIVE**  
inside

The SERVO-DRIVE electric opening system for TANDEM is ideal for handle-less furniture. The opening signal of the SERVO-DRIVE unit is triggered by a single touch on furniture fronts. What's more, SERVO-DRIVE can be used for pull-outs with BLUMOTION. Our TIP-ON mechanical opening system will also open at a single touch. Synchronisation for TIP-ON is an optional feature that ensures that extra wide pull-outs open with ease.

**TIP-ON**  
inside







# Easy planning and assembly

## Complementary services



We'd like to help you do your job – starting with planning cabinets and ordering fittings right down to assembly.

### **DYNALOG**

Our DYNALOG planning and ordering software makes it easy to plan cabinets and order fittings. The automatic collision checks are really practical because they check that your designs are workable and relieve you of trial applications.

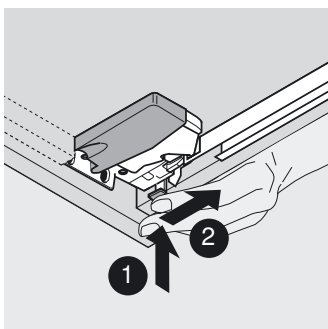
### **Assembly devices**

Our drilling templates make short work of the assembly of TANDEM runners. You can order all drilling templates directly from Blum (see order specifications).

# Locking device

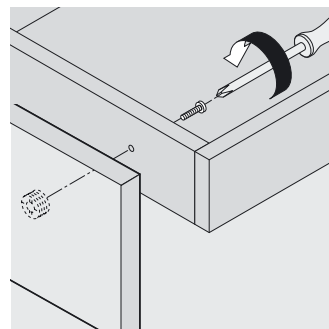
Simply insert and hey presto!

The TANDEM locking device makes drawer insertion and removal child's play, saving you precious assembly time. And your customers can remove drawers for cleaning just as easily. The locking device also serves as a quick release mechanism.



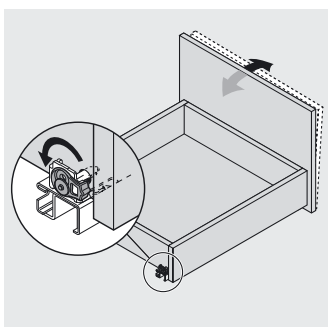
## Height adjustment

Use the tool-free height adjustment feature to produce uniform gap alignment. Height adjustment of up to +3 mm is possible.



## Side adjustment

Thanks to the optional front adjustment bracket, you can easily attach the front and make side and height adjustments – for a precise gap alignment.



## Front tilt adjustment for full extensions

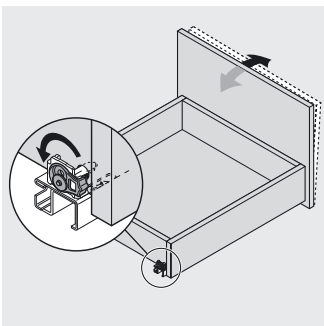
The integrated front tilt adjustment feature allows you to align the front with the front edge of the cabinet – fast, easy and tool-free.



# Hook & Peg variant

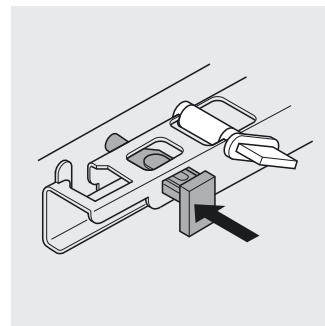
## Simply push on!

The Hook & Peg variant also makes assembly fast and easy. Simply place the drawer on the runner and then pull forward until the pegs engage in the fixing holes in the drawer base.



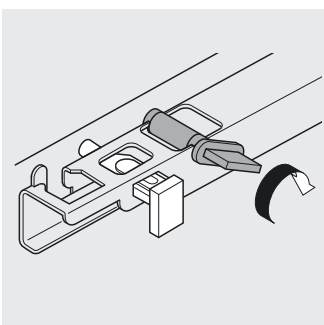
### Front tilt adjustment for full extensions

The integrated front tilt adjustment feature allows you to align the front with the front edge of the cabinet quickly and easily.



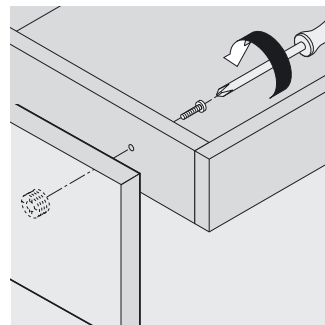
### Lift-off stop

The lift-off stop prevents drawers and pull-outs from accidentally lifting off the runner. If required, the lift-off stop can be released by pulling a lever.



### Height adjustment

It's possible to make height adjustments of up to +2.5 mm. This tool-free feature produces uniform gap alignment.



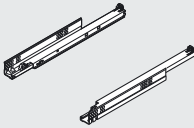
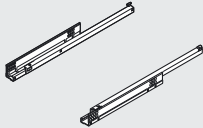
### Side adjustment

The optional front adjustment bracket can be used for assembly as well as for the side and height adjustment of the front – to produce a precise gap alignment.

# Locking device order specifications

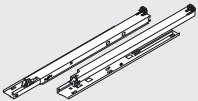
Full extension

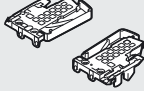
Single extension

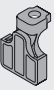
Runners left/right		Full extension				Single extension	
		TANDEM plus BLUMOTION, 30 kg	TANDEM plus*, 30 kg	TANDEM plus BLUMOTION, 50 kg	TANDEM plus*, 50 kg	TANDEM BLUMOTION, 30 kg	TANDEM* 30 kg
							
NL							
250 mm		560H2500B	560H2500C				
270 mm		560H2700B	560H2700C			550H2700B	550H2700.03
300 mm		560H3000B	560H3000C			550H3000B	550H3000.03
320 mm		560H3200B	560H3200C				
350 mm		560H3500B	560H3500C			550H3500B	550H3500.03
380 mm		560H3800B	560H3800C				
400 mm		560H4000B	560H4000C			550H4000B	550H4000.03
420 mm		560H4200B	560H4200C				
450 mm		560H4500B	560H4500C	566H4500B01	566H4500C01	550H4500B	550H4500.03
480 mm		560H4800B	560H4800C				
500 mm		560H5000B	560H5000C	566H5000B01	566H5000C01	550H5000B	550H5000.03
520 mm		560H5200B	560H5200C	566H5200B01	566H5200C01		
550 mm		560H5500B	560H5500C	566H5500B01	566H5500C01	550H5500B	550H5500.03
580 mm				566H5800B01	566H5800C01		
600 mm		560H6000B	560H6000C	566H6000B01	566H6000C01	550H6000B	550H6000.03
650 mm				566H6500B01	566H6500C01	550H6500B	550H6500.03
700 mm				566H7000B01	566H7000C01		
750 mm				566H7500B01	566H7500C01		

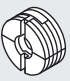
\* Suitable for TIP-ON

## Multimedia pull-out – base mounted

Runners for cabinet bottom panel assembly left/right		TANDEM plus BLUMOTION	TANDEM BLUMOTION
	NL		
	350 mm	560H3500BU	550H3500BU
	400 mm	560H4000BU	550H4000BU

Locking device left/right	
	Nylon/Zinc
	Orange
	Order left/right
	T51.1700.04

POSISTOP (optional)	
	Nylon
	RAL 7037 dust grey
	Depth stop not compatible with TIP-ON
	298.5500

Front adjustment bracket (optional)	
	Nylon
	Natural
	295.1000

NL Nominal Length

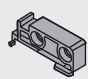
KB Cabinet width


LW Inner cabinet width

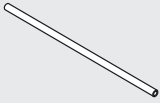
### Longside gallery rail

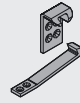
Longside gallery rails with back fixing left/right		
	Chrome plated	
	NL	
	400 mm	ZRE.363A.ID
	450 mm	ZRE.413A.ID
	480 mm	ZRE.443A.ID
	500 mm	ZRE.463A.ID
	520 mm	ZRE.483A.ID
	550 mm	ZRE.513A.ID
	580 mm	ZRE.543A.ID
	600 mm	ZRE.563A.ID
	650 mm	ZRE.613A.ID

### Accessories for the pull-out surround

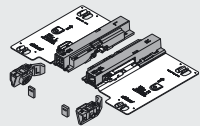
Rear fixing bracket (optional)		
	Nylon	
	Natural	T51.7000

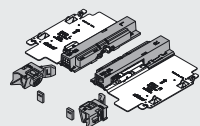
Corner connectors		
	RAL 7037 dust grey	
	2 tier	ZTU.00Z0
	3 tier	ZTU.00D0

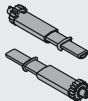
Gallery rail		
	Chrome plated	ZRG.1094U
	For cutting to size, 1,094 mm	
	Cutting	
	NL – 64 mm	
	KB – 106 mm	

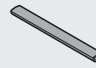
Pull-out stop (optional)		
	Nylon	
	Natural	295.5600

### TIP-ON for locking device

TIP-ON for full extension left/right		
	30 kg	T55.7150S
	50 kg	T55.9150S
	Only suitable for TANDEM plus	

TIP-ON for single extension left/right		
	30 kg	T55.1150S
	Only suitable for TANDEM	

TIP-ON synchronisation pinion set (optional)		
	Nylon	
	RAL 7037 dust grey	T55.000R

TIP-ON synchronisation linkage (optional)		
	Aluminium	T55.889W
	For cutting to size, 889 mm, suitable for cabinet width 1,200 mm	
	Cutting	
	LW – 277 mm	

### Side stabilisation

Side stabilisation set for full extension (left/right)*		
	KB up to 1,400 for cutting to size	
	NL up to 410 mm	ZST.410TV
	NL from 420 to 600 mm	ZST.600TV
	NL from 650 to 750 mm	ZST.750TV

Side stabilisation set for single extension (left/right)*		
	KB up to 1,400 for cutting to size	
	NL up to 410 mm	ZST.410TT
	NL from 435 to 650 mm	ZST.650TT

\* Available February 2011

Please see the corresponding product brochure for order specifications for SERVO-DRIVE for TANDEM.



# Hook & Peg variant order specifications

## Full extension

Runners left/right		TANDEM plus BLUMOTION 30 kg	TANDEM plus* 30 kg
NL	All items available upon request		
260 mm		561H2601B	561H2601C
285 mm		561H2851B	561H2851C
310 mm		561H3101B	561H3101C
335 mm		561H3351B	561H3351C
360 mm		561H3601B	561H3601C
385 mm		561H3851B	561H3851C
410 mm		561H4101B	561H4101C
435 mm		561H4351B	561H4351C
460 mm		561H4601B	561H4601C
485 mm		561H4851B	561H4851C
510 mm		561H5101B	561H5101C
535 mm		561H5351B	561H5351C
560 mm		561H5601B	561H5601C

## Single extension

Runners left/right		TANDEM BLUMOTION 30 kg	TANDEM* 30 kg
NL	All items available upon request		
260 mm		551H2601B	551H2601
285 mm		551H2851B	551H2851
310 mm		551H3101B	551H3101
335 mm		551H3351B	551H3351
360 mm		551H3601B	551H3601
385 mm		551H3851B	551H3851
410 mm		551H4101B	551H4101
435 mm		551H4351B	551H4351
460 mm		551H4601B	551H4601
485 mm		551H4851B	551H4851
510 mm		551H5101B	551H5101
535 mm		551H5351B	551H5351
560 mm		551H5601B	551H5601

\* Suitable for TIP-ON

## TIP-ON for Hook & Peg variant

TIP-ON for full extension left/right		
	30 kg	T55.7150S
	Only suitable for TANDEM plus	

TIP-ON for single extension left/right		
	30 kg	T55.3150S
	Only suitable for TANDEM	

TIP-ON synchronisation pinion set (optional)		
	Nylon	
	RAL 7037 dust grey	T55.000R

TIP-ON synchronisation linkage (optional)		
	Aluminium	T55.889W
	For cutting to size, 889 mm, suitable for cabinet width 1,200 mm	
	Cutting LW – 277 mm	

## Side stabilisation

Side stabilisation set for full extension (left/right)**		
	KB up to 1,400 for cutting to size	
	NL up to 410 mm	ZST.410TV
	NL from 420 to 600 mm	ZST.600TV
	NL from 650 to 750 mm	ZST.750TV

Side stabilisation set for single extension (left/right)**		
	KB up to 1,400 for cutting to size	
	NL up to 410 mm	ZST.410TT
	NL from 435 to 650 mm	
		ZST.650TT

\*\* Available February 2011

NL Nominal Length

KB Cabinet width

LW Inner cabinet width

Please see the corresponding product brochure for order specifications for SERVO-DRIVE for TANDEM.

# Assembly devices order specifications

DYNALOG 2.8



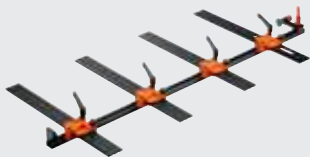
DYA.2842

Drilling template for TANDEM



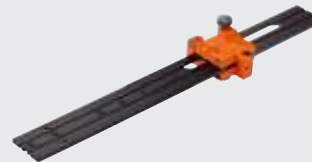
T65.1000.02

Universal drilling template



65.1000.01

Universal individual template



65.1051.01

Marking template



65.2950

Drilling template for TANDEM front fixing bracket



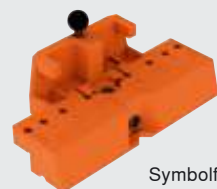
ZML.0050

Drilling template for pull-out surround corner connectors



ZML.0010

Drilling template for TANDEM Hook & Peg variant



Symbolfoto

☎ T65.1100

# Blum is motion



Everything revolves around motion at Blum – be it at our headquarters in Vorarlberg or at our subsidiaries and offices all over the world. Our fittings solutions turn the opening and closing of furniture into a graceful and enhanced kitchen experience.

All our efforts are based on our philosophy of global customer benefits. Everyone who uses our products should profit from the value they add and the benefits they hold out.

To achieve this goal we are in continuous dialogue with kitchen users, kitchen manufacturers, cabinet-makers and distributors. The feedback they give us is incorporated in our development and production processes. Several thousand employees worldwide support us in our endeavours. And we rely on their commitment, know-how and passion for quality.



Over the years we've become pioneers in the furniture industry. But we also see ourselves as pioneers in the field of environmental protection. We were the first in the industry to introduce reusable packaging. And we've been working hard for decades to ensure that our company minimises its use of energy and resources in all fields.





Julius Blum GmbH  
Furniture Fittings Mfg.  
6973 Höchst, Austria  
Tel.: +43 5578 705-0  
Fax: +43 5578 705-44  
E-mail: [info@blum.com](mailto:info@blum.com)  
[www.blum.com](http://www.blum.com)

 <sup>®</sup>

All content is copyrighted by Blum.  
Subject to technical modifications and changes to the range without notice.  
Printed in Austria · ID NO.: 657.662.4 · EP-175/1 EN-AL/10.10-1

[LIGHTHOUSE.de](http://LIGHTHOUSE.de)