



ORGA-LINE for TANDEMBOX

Order specification

www.blum.com

 **blum**[®]





So many practical advantages

- 4 Ideas for practical kitchens
- 6 Product configurator
- 8 ORGA-LINE for drawers
- 18 ORGA-LINE for high fronted pull-outs
 - TANDEMBOX intivo
 - TANDEMBOX antaro
 - TANDEMBOX plus
- 24 ORGA-LINE kitchen accessories
- 26 Recommendation for pull-outs
- 30 Blum

DYNAMIC SPACE – Ideas for practical kitchens

blum

Space

Motion

Workflow

What makes kitchens practical?

Kitchens come in for heavy duty use so you soon find out what makes them practical. We have identified three key features of practical kitchens at Blum during the course of our research. Good workflows, optimal room utilisation and high ease of use or: In short, workflow, space and motion.

DYNAMIC SPACE delivers ideas for practical kitchens.

Well-designed products such as ORGA-LINE bring high functionality to every kitchen. Solutions such as the SPACE TOWER larder unit and the SPACE CORNER corner cabinet are optimised to the needs of kitchen users. Our experience and research data can provide helpful insight during the kitchen planning phase.

Be inspired!

➤ For more information about DYNAMIC SPACE go to:
www.blum.com/ideas

**DYNAMIC
SPACE**

Ideas from Blum
for practical kitchens



Practical flexibility

ORGA-LINE containers, longside and cross dividers can be arranged as required depending on the item being stored. Whatever you need to store, ORGA-LINE provides practical organisation in your drawers and optimised storage space. There is even room for additional items such as pots or dishes, for example.



Practical overview

With ORGA-LINE, everything is stored where it can be seen, even larger items can be stored securely. An overview of everything: Individual items can be stored where they can be seen with good organisation thanks to ORGA-LINE. When your guests want to help out in the kitchen, the right spice quickly comes to hand.



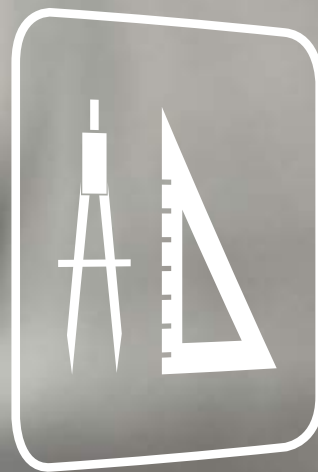
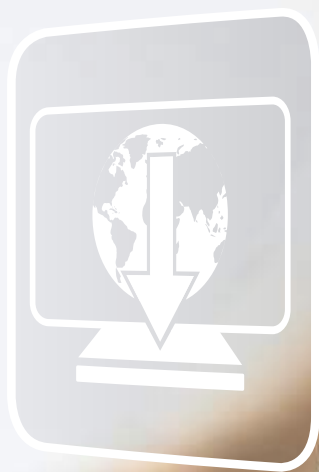
Practical accessories

ORGA-LINE kitchen accessories simplify daily workflows, and provide organization and overview. Because with the foil dispenser, knife, spice and plate holders, everything is close to hand exactly where it's needed – whether in the kitchen or at a Barbecue. When the cooking is done, these small tools can be quickly stored away.



Practical clean-up

Children's sticky fingers leave their mark – we all know that. With ORGA-LINE, this is not a problem. The high-quality stainless steel containers are very easy to clean without marring the material – even in the dishwasher. That is Blum quality – for the lifetime of the furniture.



**Online configuration –
fast and simple**

Fast and simple

Online configuration



We support you with our online services to maintain an overview of ORGA-LINE and the associated kitchen accessories.

Using the web browser of your choice, you have access 24/7 to ORGA-LINE online for quick and easy personalised configuration options.



For drawers with utensil dividers and containers



For pull-outs with longside and cross dividers



Enhanced by practical ORGA-LINE kitchen accessories

Selecting an ORGA-LINE system is very easy using the Product configurator. All you have to do is select the product line and enter the drawer dimensions to get a suggestion for your interior organisational system.

Your advantages at a glance:

- Intuitive interface – quick and easy
- Online availability 24/7
- Product solutions and assembly information that are always up-to-date
- Correct, error-free results – tested by Blum



➤ More about the online product configurator:
www.blum.com/productconfigurator

ORGA-LINE for drawers



Overview of ORGA-LINE sets

Blum offers practical inner dividing systems for drawers for every type of storage item. ORGA-LINE sets with high quality stainless steel trays and/or utensil dividers are available in all nominal lengths from 450 to 650 mm. We have the right applications for any drawer width, providing excellent organisation and overview.



Flexible cutlery dividers

Cutlery and so much more stay perfectly organised in the high quality, hygienic stainless steel trays. The containers are removable and dishwasher safe.



Flexible utensil dividers

Storage items of every shape and size are a perfect fit for ORGA-LINE. The flexible utensil dividers can be arranged to fit your needs.



Combo sets

This combination of utensil dividers and containers are not just for the kitchen – you can use them throughout the entire house.

Practical expandability

ORGA-LINE for drawers



ORGA-LINE sets for drawers can be expanded with foil/film dispensers and a knife holder. Practical kitchen accessories ensure simple workflows and easy handling.



Individual foil/film dispenser

The foil or film dispenser fits perfectly in the narrow utensil divider for quick and easy access.

Foil/Film dispenser as a set

The wide utensil divider provides a perfect drawer location for both foil and film dispensers.

Knife holder

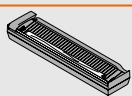
The knife holder is ideal for the wide utensil divider, providing practical storage for up to 9 knives.

ORGA-LINE kitchen accessories

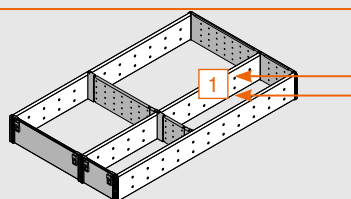
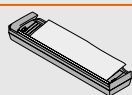
Please see pages 16/17 for more information.

i Placement of kitchen accessories

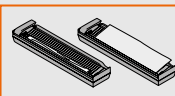
1 1x ZSZ.01F0



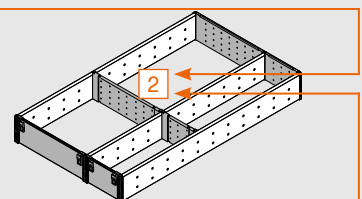
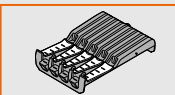
Or:
1 1x ZSZ.02F0



2 1x ZSZ.01F0 + 1x ZSZ.02F0



Or:
2 1x ZSZ.02M0



ORGA-LINE for drawers

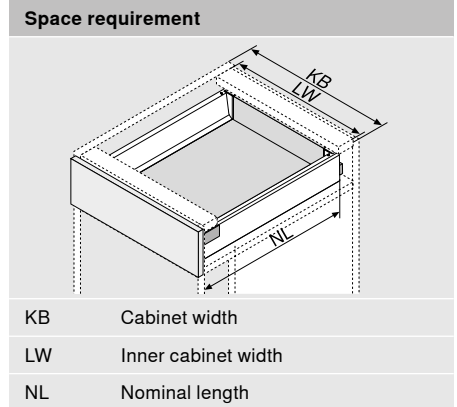


Container sets

Description

- Container sets are especially practical for kitchen applications
- Well-suited for cutlery
- For drawers and inner drawers with cabinet widths 275 to 1200 mm
- Available in all nominal lengths from 450 to 650 mm
- Removable containers – dishwasher proof
- Can be combined with a film/foil dispenser or knife holder

Order specification



Cabinet widths 275–299 mm

| NL | Part No. |
|--------|-------------|
| 450 mm | ZSI.450B11N |
| 500 mm | ZSI.500B11N |
| 550 mm | ZSI.550B11N |
| 600 mm | ZSI.600B11N |
| 650 mm | ZSI.650B11N |

Cabinet widths 300–399 mm

| NL | Part No. |
|--------|-------------|
| 450 mm | ZSI.450B12N |
| 500 mm | ZSI.500B12N |
| 550 mm | ZSI.550B12N |
| 600 mm | ZSI.600B12N |
| 650 mm | ZSI.650B12N |

Cabinet width 400–549 mm

| NL | Part No. |
|--------|-------------|
| 450 mm | ZSI.450B13N |
| 500 mm | ZSI.500B13 |
| 550 mm | ZSI.550B13 |
| 600 mm | ZSI.600B13 |
| 650 mm | ZSI.650B13 |

Cabinet widths 550–599 mm

| NL | Part No. |
|--------|---------------------------|
| 450 mm | ZSI.450B11N + ZSI.450B13N |
| 500 mm | ZSI.500B11N + ZSI.500B13 |
| 550 mm | ZSI.550B11N + ZSI.550B13 |
| 600 mm | ZSI.600B11N + ZSI.600B13 |
| 650 mm | ZSI.650B11N + ZSI.650B13 |

Cabinet width 600 mm ◀

| NL | Part No. |
|--------|--------------------------|
| 450 mm | ZSI.60VEI4 |
| 500 mm | ZSI.60VEI6 |
| 550 mm | ZSI.60VEI7 |
| 600 mm | ZSI.600B11N + ZSI.600B13 |
| 650 mm | ZSI.650B11N + ZSI.650B13 |

Cabinet widths 601–699 mm

| NL | Part No. |
|--------|---------------------------|
| 450 mm | ZSI.450B11N + ZSI.450B13N |
| 500 mm | ZSI.500B11N + ZSI.500B13 |
| 550 mm | ZSI.550B11N + ZSI.550B13 |
| 600 mm | ZSI.600B11N + ZSI.600B13 |
| 650 mm | ZSI.650B11N + ZSI.650B13 |

Cabinet width 700–799 mm

| NL | Part No. |
|--------|---------------------------|
| 450 mm | ZSI.450B12N + ZSI.450B13N |
| 500 mm | ZSI.500B12N + ZSI.500B13 |
| 550 mm | ZSI.550B12N + ZSI.550B13 |
| 600 mm | ZSI.600B12N + ZSI.600B13 |
| 650 mm | ZSI.650B12N + ZSI.650B13 |

Cabinet widths 800–899 mm

| NL | Part No. |
|--------|-----------------|
| 450 mm | 2 x ZSI.450B13N |
| 500 mm | 2 x ZSI.500B13 |
| 550 mm | 2 x ZSI.550B13 |
| 600 mm | 2 x ZSI.600B13 |
| 650 mm | 2 x ZSI.650B13 |


Cabinet width 900 mm ◀

| NL | Part No. |
|--------|-------------------------|
| 450 mm | ZSI.90VEI4 |
| 500 mm | ZSI.90VEI6 |
| 550 mm | ZSI.90VEI7 |
| 600 mm | ZSI.600B13 + ZSI.600K14 |
| 650 mm | ZSI.650B13 + ZSI.650K14 |

◀ Set fully fills drawer




Cabinet widths 901–999 mm



| NL | Part No. |
|--------|---------------------------|
| 450 mm | ZSI.450BI3N + ZSI.450KI4N |
| 500 mm | ZSI.500BI3 + ZSI.500KI4 |
| 550 mm | ZSI.550BI3 + ZSI.550KI4 |
| 600 mm | ZSI.600BI3 + ZSI.600KI4 |
| 650 mm | ZSI.650BI3 + ZSI.650KI4 |

Cabinet widths 1000–1099 mm




| NL | Part No. |
|--------|----------------|
| 450 mm | 2x ZSI.450KI4N |
| 500 mm | 2x ZSI.500KI4 |
| 550 mm | 2x ZSI.550KI4 |
| 600 mm | 2x ZSI.600KI4 |
| 650 mm | 2x ZSI.650KI4 |

Cabinet widths 1100–1199 mm



| NL | Part No. |
|--------|------------------------------|
| 450 mm | 2x ZSI.450BI3N + ZSI.450FI2N |
| 500 mm | 2x ZSI.500BI3 + ZSI.500FI2N |
| 550 mm | 2x ZSI.550BI3 + ZSI.550FI2N |
| 600 mm | 2x ZSI.600BI3 + ZSI.600FI2N |
| 650 mm | 2x ZSI.650BI3 + ZSI.650FI2N |

Cabinet width 1200 mm



| NL | Part No. |
|--------|-----------------------------|
| 450 mm | ZSI.12VEI4 |
| 500 mm | ZSI.12VEI6 |
| 550 mm | ZSI.12VEI7 |
| 600 mm | 2x ZSI.600BI3 + ZSI.600FI2N |
| 650 mm | 2x ZSI.650BI3 + ZSI.650FI2N |

SPACE CORNER 转角抽屜



| NL | Part No. |
|--------|-------------|
| 600 mm | ZSI.450BI3E |
| 650 mm | ZSI.500BI3E |

1 2 Please see pages 16/17 for more information about the knife holder and foil/film dispenser.

ORGA-LINE for drawers

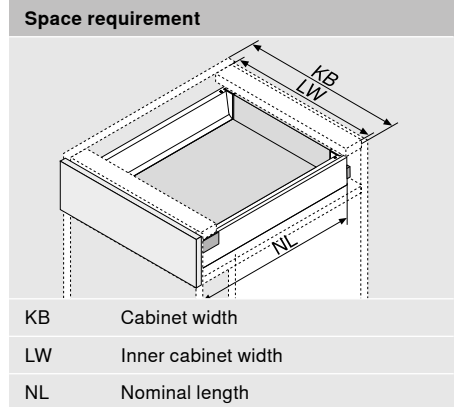


Utensil divider sets

Description

- Utensil divider sets are practical for kitchen applications as well as other areas of the home
- For drawers and inner drawers with cabinet widths 275 to 1200 mm
- Available in all nominal lengths from 450 to 650 mm
- Removable containers – dishwasher proof
- Can be combined with a film/foil dispenser or knife holder

Order specification



Cabinet widths 275–349 mm

| NL | Part No. |
|--------|-------------|
| 450 mm | ZSI.450B11N |
| 500 mm | ZSI.500B11N |
| 550 mm | ZSI.550B11N |
| 600 mm | ZSI.600B11N |
| 650 mm | ZSI.650B11N |

Cabinet widths 350–449 mm

| NL | Part No. |
|--------|-------------|
| 450 mm | ZSI.450K12N |
| 500 mm | ZSI.500K12N |
| 550 mm | ZSI.550K12N |
| 600 mm | ZSI.600K12N |
| 650 mm | ZSI.650K12N |

Cabinet widths 450–599 mm

| NL | Part No. |
|--------|-------------|
| 450 mm | ZSI.450F12N |
| 500 mm | ZSI.500F12N |
| 550 mm | ZSI.550F12N |
| 600 mm | ZSI.600F12N |
| 650 mm | ZSI.650F12N |

Cabinet width 600 mm ◀

| NL | Part No. |
|--------|---------------------------|
| 450 mm | ZSI.60VUI4 |
| 500 mm | ZSI.60VUI6 |
| 550 mm | ZSI.60VUI7 |
| 600 mm | ZSI.600B11N + ZSI.600K13N |
| 650 mm | ZSI.650B11N + ZSI.650K13N |

Cabinet widths 601–699 mm

| NL | Part No. |
|--------|---------------------------|
| 450 mm | ZSI.450B11N + ZSI.450K13N |
| 500 mm | ZSI.500B11N + ZSI.500K13N |
| 550 mm | ZSI.550B11N + ZSI.550K13N |
| 600 mm | ZSI.600B11N + ZSI.600K13N |
| 650 mm | ZSI.650B11N + ZSI.650K13N |

Cabinet widths 700–799 mm

| NL | Part No. |
|--------|---------------------------|
| 450 mm | ZSI.450K12N + ZSI.450K13N |
| 500 mm | ZSI.500K12N + ZSI.500K13N |
| 550 mm | ZSI.550K12N + ZSI.550K13N |
| 600 mm | ZSI.600K12N + ZSI.600K13N |
| 650 mm | ZSI.650K12N + ZSI.650K13N |

Cabinet width 800–899 mm

| NL | Part No. |
|--------|----------------|
| 450 mm | 2x ZSI.450K13N |
| 500 mm | 2x ZSI.500K13N |
| 550 mm | 2x ZSI.550K13N |
| 600 mm | 2x ZSI.600K13N |
| 650 mm | 2x ZSI.650K13N |


Cabinet width 900 mm ◀

| NL | Part No. |
|--------|----------------|
| 450 mm | ZSI.90VUI4 |
| 500 mm | ZSI.90VUI6 |
| 550 mm | ZSI.90VUI7 |
| 600 mm | 2x ZSI.600K13N |
| 650 mm | 2x ZSI.650K13N |

◀ Set fully fills drawer




Cabinet widths 901–999 mm




| NL | Part No. |
|--------|----------------|
| 450 mm | 2x ZSI.450KI3N |
| 500 mm | 2x ZSI.500KI3N |
| 550 mm | 2x ZSI.550KI3N |
| 600 mm | 2x ZSI.600KI3N |
| 650 mm | 2x ZSI.650KI3N |

Cabinet widths 1000–1099 mm



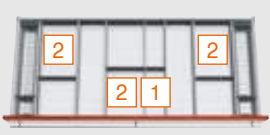
| NL | Part No. |
|--------|-----------------------------|
| 450 mm | 2x ZSI.450KI2N + ZSI.450FI3 |
| 500 mm | 2x ZSI.500KI2N + ZSI.500FI3 |
| 550 mm | 2x ZSI.550KI2N + ZSI.550FI3 |
| 600 mm | 2x ZSI.600KI2N + ZSI.600FI3 |
| 650 mm | 2x ZSI.650KI2N + ZSI.650FI3 |

Cabinet widths 1100–1199 mm



| NL | Part No. |
|--------|------------------------------|
| 450 mm | 2x ZSI.450KI3N + ZSI.450FI2N |
| 500 mm | 2x ZSI.500KI3N + ZSI.500FI2N |
| 550 mm | 2x ZSI.550KI3N + ZSI.550FI2N |
| 600 mm | 2x ZSI.600KI3N + ZSI.600FI2N |
| 650 mm | 2x ZSI.650KI3N + ZSI.600FI2N |

Cabinet width 1200 mm



| NL | Part No. |
|--------|-----------------------------|
| 450 mm | ZSI.12VUI4 |
| 500 mm | ZSI.12VUI6 |
| 550 mm | ZSI.12VUI7 |
| 600 mm | 2x ZSI.600KI3N + ZSI.600FI3 |
| 650 mm | 2x ZSI.650KI3N + ZSI.650FI3 |

SPACE CORNER 转角抽屜



| NL | Part No. |
|--------|------------|
| 600 mm | ZSI.450FI3 |
| 650 mm | ZSI.500FI3 |

1 2 Please see pages 16/17 for more information about the knife holder and foil/film dispenser.

ORGA-LINE for drawers

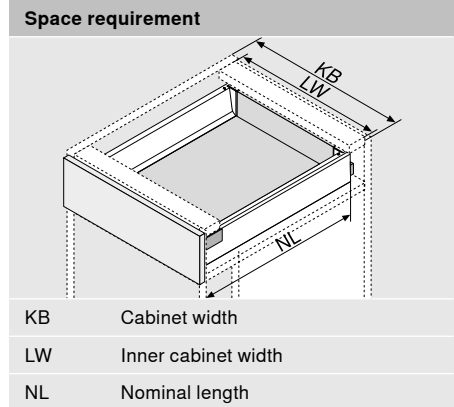


Combo sets

Description

- Combinations of utensil dividers and containers are well-suited for the kitchen and the living area
- For drawers and inner drawers with cabinet widths 275 to 1200 mm
- Available in all nominal lengths from 450 to 650 mm
- Removable containers – dishwasher proof
- Can be combined with a film/foil dispenser or knife holder

Order specification



Cabinet widths 275–349 mm

| NL | Part No. |
|--------|-------------|
| 450 mm | ZSI.450B11N |
| 500 mm | ZSI.500B11N |
| 550 mm | ZSI.550B11N |
| 600 mm | ZSI.600B11N |
| 650 mm | ZSI.650B11N |

Cabinet widths 350–449 mm

| NL | Part No. |
|--------|-------------|
| 450 mm | ZSI.450K12N |
| 500 mm | ZSI.500K12N |
| 550 mm | ZSI.550K12N |
| 600 mm | ZSI.600K12N |
| 650 mm | ZSI.650K12N |

Cabinet widths 450–600 mm

| NL | Part No. |
|--------|------------|
| 450 mm | ZSI.450MI3 |
| 500 mm | ZSI.500MI3 |
| 550 mm | ZSI.550MI3 |
| 600 mm | ZSI.600MI3 |
| 650 mm | ZSI.650MI3 |

Cabinet width 601–649 mm

| NL | Part No. |
|--------|--------------------------|
| 450 mm | ZSI.450B11N + ZSI.450MI3 |
| 500 mm | ZSI.500B11N + ZSI.500MI3 |
| 550 mm | ZSI.550B11N + ZSI.550MI3 |
| 600 mm | ZSI.600B11N + ZSI.600MI3 |
| 650 mm | ZSI.650B11N + ZSI.650MI3 |

Cabinet width 650–750 mm

| NL | Part No. |
|--------|--------------------------|
| 450 mm | ZSI.450K12N + ZSI.450MI3 |
| 500 mm | ZSI.500K12N + ZSI.500MI3 |
| 550 mm | ZSI.550K12N + ZSI.550MI3 |
| 600 mm | ZSI.600K12N + ZSI.600MI3 |
| 650 mm | ZSI.650K12N + ZSI.650MI3 |

Cabinet widths 751–899 mm

| NL | Part No. |
|--------|---------------------------|
| 450 mm | ZSI.450KI3N + ZSI.450B13N |
| 500 mm | ZSI.500KI3N + ZSI.500B13 |
| 550 mm | ZSI.550KI3N + ZSI.550B13 |
| 600 mm | ZSI.600KI3N + ZSI.600B13 |
| 650 mm | ZSI.650KI3N + ZSI.650B13 |

Cabinet widths 900–1200 mm

| NL | Part No. |
|--------|---------------------------|
| 450 mm | ZSI.450KI3N + ZSI.450K14N |
| 500 mm | ZSI.500KI3N + ZSI.500K14 |
| 550 mm | ZSI.550KI3N + ZSI.550K14 |
| 600 mm | ZSI.600KI3N + ZSI.600K14 |
| 650 mm | ZSI.650KI3N + ZSI.650K14 |

SPACE CORNER 转角抽屉

| NL | Part No. |
|--------|------------|
| 600 mm | ZSI.450F13 |
| 650 mm | ZSI.500F13 |

1 2 Please see pages 16/17 for more information about the knife holder and foil/film dispenser.



ORGA-LINE for drawers

blum

ORGA-LINE for drawers

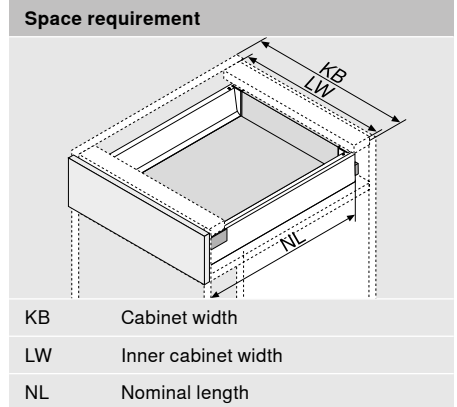


Individual sets

Description

- These flexible, modular sets are well-suited for applications in the kitchen as well as other living areas
- For drawers and inner drawers in different cabinet widths
- Available in all nominal lengths from 450 to 650 mm
- Sets include utensil divides, container sets or a combination of the two
- Removable containers – dishwasher proof
- Can be combined with a film/foil dispenser or knife holder

Order specification



Set BI1

| NL | Part No. |
|--------|-------------|
| 450 mm | ZSI.450BI1N |
| 500 mm | ZSI.500BI1N |
| 550 mm | ZSI.550BI1N |
| 600 mm | ZSI.600BI1N |
| 650 mm | ZSI.650BI1N |

Set BI2

| NL | Part No. |
|--------|-------------|
| 450 mm | ZSI.450BI2N |
| 500 mm | ZSI.500BI2N |
| 550 mm | ZSI.550BI2N |
| 600 mm | ZSI.600BI2N |
| 650 mm | ZSI.650BI2N |

Set BI3

| NL | Part No. |
|--------|-------------|
| 450 mm | ZSI.450BI3N |
| 500 mm | ZSI.500BI3 |
| 550 mm | ZSI.550BI3 |
| 600 mm | ZSI.600BI3 |
| 650 mm | ZSI.650BI3 |

Set KI2

| NL | Part No. |
|--------|-------------|
| 450 mm | ZSI.450KI2N |
| 500 mm | ZSI.500KI2N |
| 550 mm | ZSI.550KI2N |
| 600 mm | ZSI.600KI2N |
| 650 mm | ZSI.650KI2N |

Set KI3

| NL | Part No. |
|--------|-------------|
| 450 mm | ZSI.450KI3N |
| 500 mm | ZSI.500KI3N |
| 550 mm | ZSI.550KI3N |
| 600 mm | ZSI.600KI3N |
| 650 mm | ZSI.650KI3N |

Set KI4

| NL | Part No. |
|--------|-------------|
| 450 mm | ZSI.450KI4N |
| 500 mm | ZSI.500KI4 |
| 550 mm | ZSI.550KI4 |
| 600 mm | ZSI.600KI4 |
| 650 mm | ZSI.650KI4 |

Set MI3

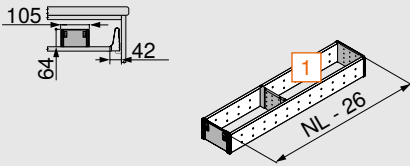
| NL | Part No. |
|--------|------------|
| 450 mm | ZSI.450MI3 |
| 500 mm | ZSI.500MI3 |
| 550 mm | ZSI.550MI3 |
| 600 mm | ZSI.600MI3 |
| 650 mm | ZSI.650MI3 |

Individual sets

ORGA-LINE for drawers

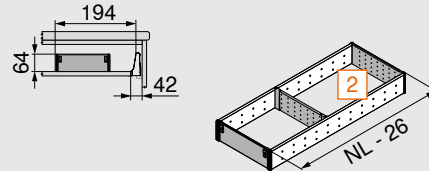


Set FI1



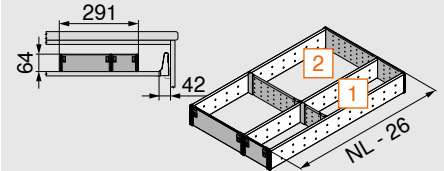
| NL | Part No. |
|--------|------------|
| 450 mm | ZSI.450FI1 |
| 500 mm | ZSI.500FI1 |
| 550 mm | ZSI.550FI1 |
| 600 mm | ZSI.600FI1 |
| 650 mm | ZSI.650FI1 |

Set FI2



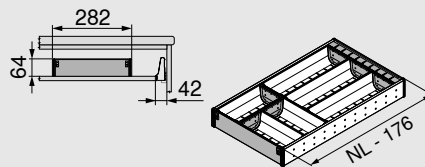
| NL | Part No. |
|--------|-------------|
| 450 mm | ZSI.450FI2N |
| 500 mm | ZSI.500FI2N |
| 550 mm | ZSI.550FI2N |
| 600 mm | ZSI.600FI2N |
| 650 mm | ZSI.650FI2N |

Set FI3



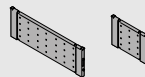
| NL | Part No. |
|--------|------------|
| 450 mm | ZSI.450FI3 |
| 500 mm | ZSI.500FI3 |
| 550 mm | ZSI.550FI3 |
| 600 mm | ZSI.600FI3 |
| 650 mm | ZSI.650FI3 |

Set BI3E for SPACE CORNER



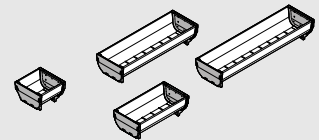
| NL | Part No. |
|--------|-------------|
| 600 mm | ZSI.450BI3E |
| 650 mm | ZSI.500BI3E |

Adjustable cross dividers



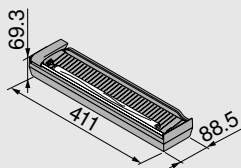
| Width | Part No. |
|--------|----------|
| 88 mm | ZSI.010Q |
| 176 mm | ZSI.020Q |

Containers



| Size | Part No. |
|-------------|-----------|
| 88 x 88 mm | ZSI.010SI |
| 88 x 176 mm | ZSI.020SI |
| 88 x 264 mm | ZSI.030SI |
| 88 x 352 mm | ZSI.040SI |

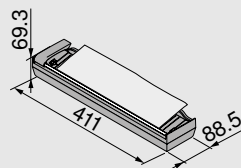
Foil/Film dispenser



| For plastic film | Part No. |
|------------------|----------|
| incl. film | ZSZ.01F0 |
| without film | ZSZ.01F1 |

- 1 1x ZSZ.01F0
- 2 1x ZSZ.01F0 + 1x ZSZ.02F0

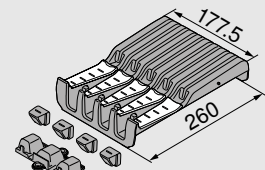
Foil/Film dispenser



| For aluminium foil | Part No. |
|--------------------|----------|
| incl. foil | ZSZ.02F0 |
| without foil | ZSZ.02F1 |

- 1 1x ZSZ.01F0
- 2 1x ZSZ.01F0 + 1x ZSZ.02F0

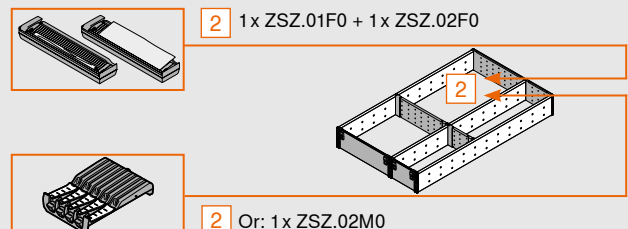
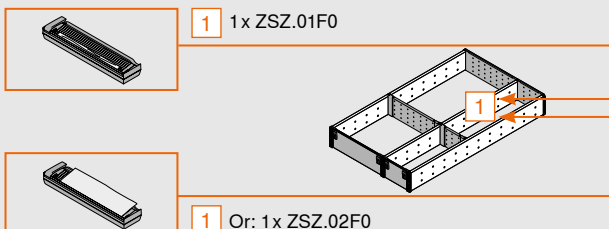
Knife holder



| For 9 knives | Part No. |
|--------------|----------|
| | ZSZ.02M0 |

- 2 1x ZSZ.02M0

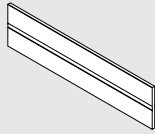
i Placement of kitchen accessories





Order specification

1a Cross divider for cutting to size



| KB | Part No. |
|---------|-----------|
| 275 mm | Z40L152A |
| 300 mm | Z40L177A |
| 550 mm | Z40L427A |
| 600 mm | Z40L477A |
| 900 mm | Z40L777A |
| 1200 mm | Z40L1077A |

Silk white, terra black

Alu for cutting to size

Cutting:

X = LW - 91 mm

Y = LW - 295 (KB 275) Y = LW - 320 mm (KB 300)

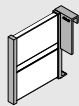
Z = 152 mm (KB 275) Z = 177 mm (KB 300)

1b Cross divider connector



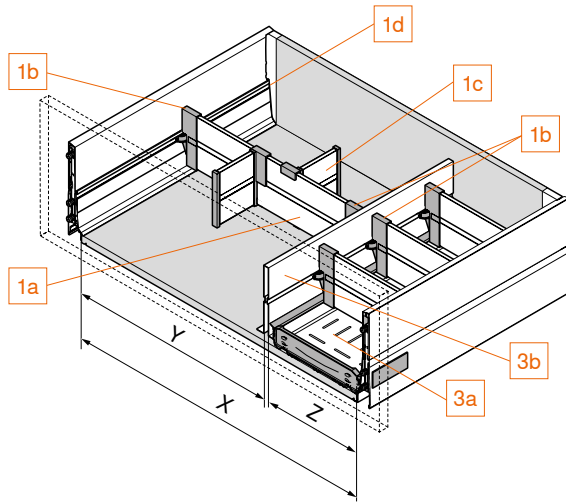
| Part No. | |
|-------------------------|-----------------|
| Silk white, terra black | Z40L0002 |

1c Longside divider

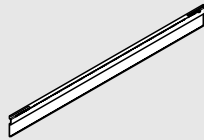


| Part No. | |
|-------------------------|-----------------|
| Silk white, terra black | Z43L100S |

Silk white, terra black



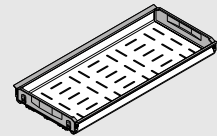
1d Adapter profile for cross divider



| NL | Part No. |
|-----------|-----------------|
| 270 mm 2x | Z49L242S |
| 300 mm 2x | Z49L272S |
| 350 mm 2x | Z49L322S |
| 400 mm 2x | Z49L372S |
| 450 mm 2x | Z49L422S |
| 500 mm 2x | Z49L472S |
| 550 mm 2x | Z49L522S |
| 600 mm 2x | Z49L572S |
| 650 mm 2x | Z49L622S |

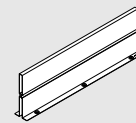
Silk white, terra black

3a Bottle rack



| NL | Part No. | Part No. |
|--------|------------|-------------------|
| 450 mm | | Z48.30B014 |
| 500 mm | Z48.27B016 | Z48.30B016 |
| 550 mm | Z48.27B017 | Z48.30B017 |
| 600 mm | Z48.27B018 | Z48.30B018 |
| 650 mm | Z48.27B019 | Z48.30B019 |
| | KB 275 mm | KB 300 mm |

3b Dividing wall



Not available for the inner pull-out

| NL | Part No. |
|--------|-----------------|
| 450 mm | Z46L420S |
| 500 mm | Z46L470S |
| 550 mm | Z46L520S |
| 600 mm | Z46L570S |
| 650 mm | Z46L620S |

Silk white, terra black

KB Cabinet width
LW Inner cabinet width
NL Nominal length

ORGA-LINE for drawers – TANDEMBOX antaro

 **blum**



Cross divider, height C

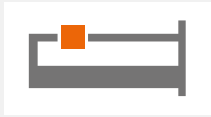


Cross divider, height D



Cross gallery

TANDEMBOX antaro

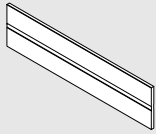


ORGA-LINE for drawers



Order specification

1a Cross divider for cutting to size



| KB | Part No. |
|---------|-----------|
| 275 mm | Z40L152A |
| 300 mm | Z40L177A |
| 550 mm | Z40L427A |
| 600 mm | Z40L477A |
| 900 mm | Z40L777A |
| 1200 mm | Z40L1077A |

Silk white, terra black, RAL 9006

Alu for cutting to size

| | |
|-----------------------|--------------------------|
| Cutting: | X = LW - 91 mm |
| Y = LW - 295 (KB 275) | Y = LW - 320 mm (KB 300) |
| Z = 152 mm (KB 275) | Z = 177 mm (KB 300) |

1b Cross divider connector



| For gallery | Part No. |
|--------------|-----------|
| For height C | Z40C0002Z |
| For height D | Z40D0002Z |

Silk white, terra black, white grey

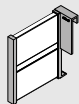
1c Cross divider connector



| For dividing wall | Part No. |
|-------------------|----------|
| | Z40L0002 |

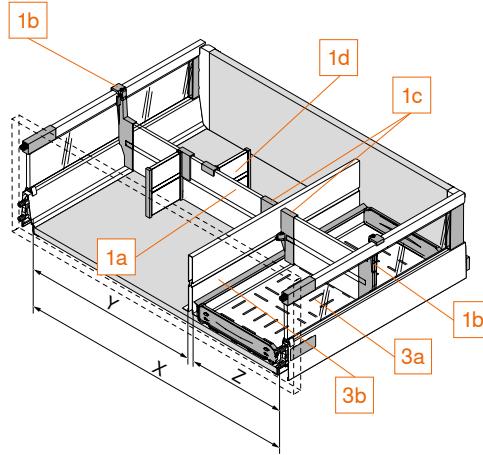
Silk white, terra black, white grey

1d Longside divider

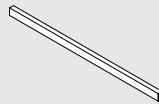


| Silk white, terra black, RAL 9006 | Part No. |
|-----------------------------------|----------|
| | Z43L100S |

Cross divider



2a Cross gallery for cutting to size



| KB | Part No. |
|---------|-----------|
| 275 mm | ZRG.179Q |
| 300 mm | ZRG.204Q |
| 550 mm | ZRG.454Q |
| 600 mm | ZRG.504Q |
| 900 mm | ZRG.804Q |
| 1200 mm | ZRG.1104Q |

Silk white, terra black, RAL 9006

Alu for cutting to size

Cutting: LW - 63 mm

2b Cross gallery connector



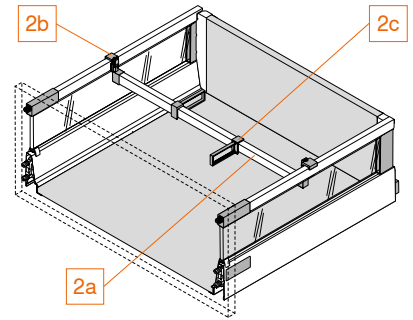
| Silk white, terra black, white grey | Part No. |
|-------------------------------------|----------|
| | ZRU.01E0 |

2c Longside divider for cross gallery



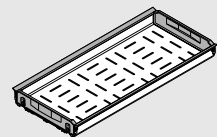
| Silk white, terra black, white grey | Part No. |
|-------------------------------------|----------|
| | ZRU.11F0 |

Cross gallery



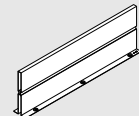
i The cross gallery cannot be used in combination with a dividing wall.

3a Bottle rack



| NL | Part No. | Part No. |
|--------|------------|------------|
| 450 mm | | Z48.30B014 |
| 500 mm | Z48.27B016 | Z48.30B016 |
| 550 mm | Z48.27B017 | Z48.30B017 |
| 600 mm | Z48.27B018 | Z48.30B018 |
| 650 mm | Z48.27B019 | Z48.30B019 |
| | KB 275 mm | KB 300 mm |

3b Dividing wall



Not available for the inner pull-out

| NL | Part No. |
|--------|----------|
| 450 mm | Z46L420S |
| 500 mm | Z46L470S |
| 550 mm | Z46L520S |
| 600 mm | Z46L570S |
| 650 mm | Z46L620S |

Silk white, terra black, RAL 9006

KB Cabinet width

LW Inner cabinet width

NL Nominal length

ORGA-LINE for drawers – TANDEMBOX plus

blum



Cross divider for BOXSIDE

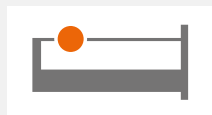


Cross divider for gallery



Cross gallery

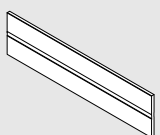
TANDEMBOX plus

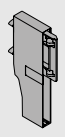



ORGA-LINE for drawers

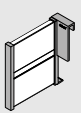


Order specification

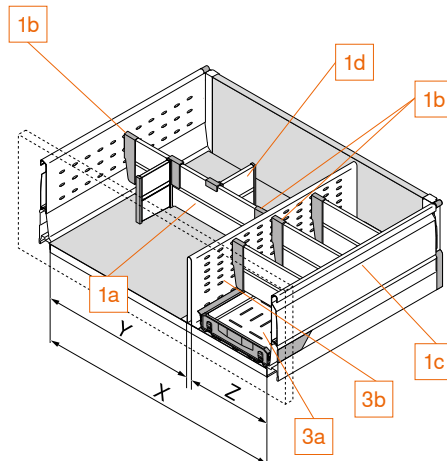
| 1a Cross divider for cutting to size | |
|---|--------------------------|
|  | |
| KB | Part No. |
| 275 mm | Z40L152A |
| 300 mm | Z40L177A |
| 550 mm | Z40L427A |
| 600 mm | Z40L477A |
| 900 mm | Z40L777A |
| 1200 mm | Z40L1077A |
| Silk white, RAL 9006 | |
| Alu for cutting to size | |
| Cutting: | |
| X = LW - 91 mm | |
| Y = LW - 295 (KB 275) | Y = LW - 320 mm (KB 300) |
| Z = 152 mm (KB 275) | Z = 177 mm (KB 300) |

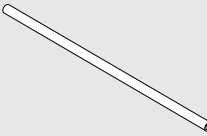
| 1b Cross divider connector | |
|---|-----------|
|  | |
| | Part No. |
| For BOXSIDE, dividing wall | Z40H0002Z |
| RAL 7037 dust grey | |


| 1c Cross divider connector | |
|---|------------|
|  | |
| | Part No. |
| For gallery | Z40H0002ZR |
| RAL 7037 dust grey | |

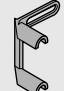
| 1d Longside divider | |
|---|----------|
|  | |
| | Part No. |
| Steel | |
| Silk white, RAL 9006 | Z43L100S |

Cross divider for BOXSIDE

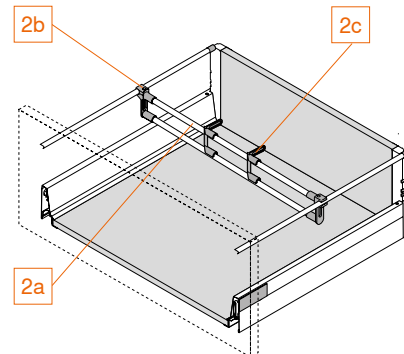


| 2a Cross gallery for cutting to size | |
|--|-----------|
|  | |
| | Part No. |
| KB up to 1200 mm | ZRG.1094U |
| White, RAL 9006 | |
| Alu for cutting to size | |
| Cutting: LW - 68 mm | |

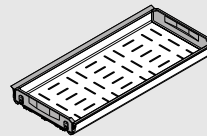
| 2b Cross gallery connector | |
|---|----------|
|  | |
| | Part No. |
| RAL 7037 dust grey | ZRU.0020 |

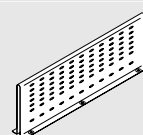
| 2c Longside divider for cross gallery | |
|---|----------|
|  | |
| | Part No. |
| RAL 7037 dust grey | ZRU.00F0 |

Cross gallery



The cross gallery cannot be used in combination with a dividing wall.

| 3a Bottle rack | | |
|--|------------|------------|
|  | | |
| NL | Part No. | Part No. |
| 450 mm | | Z48.30B014 |
| 500 mm | Z48.27B016 | Z48.30B016 |
| 550 mm | Z48.27B017 | Z48.30B017 |
| 600 mm | Z48.27B018 | Z48.30B018 |
| 650 mm | Z48.27B019 | Z48.30B019 |
| | KB 275 mm | KB 300 mm |

| 3b Dividing wall | |
|---|-------------|
|  | |
| Not available for the inner pull-out | |
| NL | Part No. |
| 450 mm | Z46C420S.E2 |
| 500 mm | Z46C470S.E2 |
| 550 mm | Z46C520S.E2 |
| 600 mm | Z46C570S.E2 |
| 650 mm | Z46C620S.E2 |
| White, RAL 9006 | |

| | |
|----|---------------------|
| KB | Cabinet width |
| LW | Inner cabinet width |
| NL | Nominal length |

ORGA-LINE kitchen accessories

blum



Description

- Foil/Film dispenser for crease-free sheets
- Knife holder for safe storage of knives in the drawer
- Plate holder for easy transport and secure storage in the pull-out
- Spice holder for storage and easy access to spice containers of all sizes
- Also available in the practical complete set



Order specification

| Knife holder | |
|--------------|-----------------------------|
| | |
| For 9 knives | Part No. ZSZ.02M0 |

| Foil/Film dispenser | |
|---------------------|-----------------|
| | |
| For plastic film | Part No. |
| incl. film | ZSZ.01F0 |
| without film | ZSZ.01F1 |

| Foil/Film dispenser | |
|---------------------|-----------------|
| | |
| For aluminium foil | Part No. |
| incl. foil | ZSZ.02F0 |
| without foil | ZSZ.02F1 |

| Spice holder | |
|-----------------------|------------------|
| | |
| KB | Part No. |
| 300 mm (width 212 mm) | ZFZ.30G01 |
| 400 mm (width 312 mm) | ZFZ.40G01 |
| 450 mm (width 362 mm) | ZFZ.45G01 |
| KB | Cabinet width |

| Plate-holder | |
|----------------------------------|-----------------|
| | |
| | Part No. |
| Ø plates 186–322 mm | ZC7T0350 |
| Total height 170 mm | |
| Stacking height: up to 12 plates | |

| Kitchen tool set | |
|-----------------------------------|------------------|
| | |
| | Part No. |
| Set | ZOU.30U11 |
| Includes: | |
| 1 x knife holder | |
| 1 x film dispenser (incl. film) | |
| 1 x foil dispenser (incl. foil) | |
| 2 x spice holders (for KB 300 mm) | |
| 2 x plate holders | |



**ORGA-LINE for TANDEMBOX –
Recommendation for pull-outs**

Recommendation for pull-outs

ORGA-LINE for TANDEMBOX



Recommendation for spices

| NL | KB (mm) | | |
|--------|----------------|-----|----------------|
| | 300 | 400 | 450 |
| 450 mm | 1 x QT, 2 x GH | | 1 x QT |
| 500 mm | | | 2 x LT, 2 x GH |
| 550 mm | | | |
| 600 mm | 2 x QT, 2 x GH | | 2 x QT, 3 x LT |
| 650 mm | | | 2 x GH |

Recommendation for pots, lids and cooking utensils

| NL | KB (mm) | | | | |
|--------|----------------|----------------|-----|------|------|
| | 600 | 800 | 900 | 1000 | 1200 |
| 450 mm | 1 x QT, 2 x LT | 1 x QT, 3 x LT | | | |
| 500 mm | 2 x QT, 6 x LT | | | | |
| 550 mm | | | | | |
| 600 mm | | | | | |
| 650 mm | 2 x QT, 3 x LT | | | | |



Recommendation for provisions and open provisions

| NL | KB (mm) | | | | | | | | | | |
|--------|---------|-----|----------------|-----|-----|-----|----------------|-----|-----|------|------|
| | 275 | 300 | 400 | 450 | 500 | 550 | 600 | 800 | 900 | 1000 | 1200 |
| 450 mm | 1 x QT | | 1 x QT, 2 x LT | | | | 1 x QT, 3 x LT | | | | |
| 500 mm | 2 x QT | | | | | | | | | | |
| 550 mm | | | | | | | | | | | |
| 600 mm | | | | | | | | | | | |
| 650 mm | 2 x QT | | 2 x QT, 3 x LT | | | | 2 x QT, 6 x LT | | | | |

SPACE CORNER

| | | | | | | | | | | | |
|--------|----------------|--|--|--|--|--|--|--|--|--|--|
| 600 mm | 1 x QT, 2 x LT | | | | | | | | | | |
| 650 mm | | | | | | | | | | | |

Recommendation for plastic containers

| NL | KB (mm) | | | | | | | | | | |
|--------|----------------|-----|----------------|-----|-----|-----|----------------|-----|-----|------|------|
| | 275 | 300 | 400 | 450 | 500 | 550 | 600 | 800 | 900 | 1000 | 1200 |
| 450 mm | 1 x QT | | | | | | | | | | |
| 500 mm | | | | | | | | | | | |
| 550 mm | | | | | | | | | | | |
| 600 mm | 1 x QT | | 1 x QT, 2 x LT | | | | 1 x QT, 3 x LT | | | | |
| 650 mm | 1 x QT, 2 x LT | | | | | | | | | | |

SPACE CORNER

| | | | | | | | | | | | |
|--------|----------------|--|--|--|--|--|--|--|--|--|--|
| 600 mm | 1 x QT, 2 x LT | | | | | | | | | | |
| 650 mm | | | | | | | | | | | |

ORGA-LINE for TANDEMBOX



Recommendation for pull-outs



Recommendation for bottles

| NL | KB (mm) | |
|--------|----------------|----------------|
| | 275 | 300 |
| 450 mm | | 3 x QT, 1 x FW |
| 500 mm | 4 x QT, 1 x FW | |
| 550 mm | 4 x QT, 1 x FW | |
| 600 mm | 5 x QT, 1 x FW | |
| 650 mm | 5 x QT, 1 x FW | |

Recommendation for recycling/ waste separation and cleaning agents

| NL | KB (mm) | |
|--------|------------------------|--|
| | 900 and higher | |
| 450 mm | 3 x QT, 1 x FW, 2 x ZW | |
| 500 mm | 4 x QT, 1 x FW, 2 x ZW | |
| 550 mm | 4 x QT, 1 x FW, 2 x ZW | |
| 600 mm | 5 x QT, 1 x FW, 2 x ZW | |
| 650 mm | 5 x QT, 1 x FW, 2 x ZW | |



Recommendation for bottles and cutting boards

| NL | KB (mm) | | | | | | | | |
|--------|------------------------|-----|-----|------------------------|-----|-----|-----|------|------|
| | 400 | 450 | 500 | 550 | 600 | 800 | 900 | 1000 | 1200 |
| 450 mm | 3 x QT, 1 x FW, 1 x ZW | | | 3 x QT, 1 x FW, 2 x ZW | | | | | |
| 500 mm | 4 x QT, 1 x FW, 1 x ZW | | | 4 x QT, 1 x FW, 2 x ZW | | | | | |
| 550 mm | 4 x QT, 1 x FW, 1 x ZW | | | 4 x QT, 1 x FW, 2 x ZW | | | | | |
| 600 mm | 5 x QT, 1 x FW, 1 x ZW | | | 5 x QT, 1 x FW, 2 x ZW | | | | | |
| 650 mm | 5 x QT, 1 x FW, 1 x ZW | | | 5 x QT, 1 x FW, 2 x ZW | | | | | |

Recommendation for baking trays and tins

| NL | KB (mm) | | | |
|--------|---------|--------|-----|----------------|
| | 300 | 400 | 450 | 500 and higher |
| 450 mm | | | | |
| 500 mm | | | | |
| 550 mm | 1 x ZW | 2 x ZW | | 3 x ZW |
| 600 mm | | | | |
| 650 mm | | | | |

| | | | | | | | |
|----|--------------|----|------------------|----|----------------|----|---------------|
| FW | Bottle rack | KB | Cabinet width | NL | Nominal length | TH | Plate holder |
| GH | Spice holder | LT | Longside divider | QT | Cross divider | ZW | Dividing wall |

Recommendation for pull-outs

ORGA-LINE for TANDEMBOX



Recommended for plates

| NL | KB (mm) | | |
|--------|---------------|----------------|-----------------|
| | 400 a. higher | 800 and higher | 1000 and higher |
| 450 mm | 2 x TH | 4 x TH | 6 x TH |
| 500 mm | | | |
| 550 mm | | | |
| 600 mm | | | |
| 650 mm | | | |

SPACE CORNER

| | KB (mm) | |
|--|------------|-----------------|
| | up to 1050 | 1050 and higher |
| | 2 x TH | 3 x TH |

| | | | |
|----|--------------|----|------------------|
| FW | Bottle rack | KB | Cabinet width |
| GH | Spice holder | LT | Longside divider |

The company Blum

Founded over 60 years ago by Julius Blum, Blum is a family-owned company that operates on an international scale. Its strategic business segments include lift, hinge and pull-out systems. All our product developments focus on perfecting motion.

www.blum.com





Blum in Austria and around the world

The company has eight plants in Vorarlberg, Austria, additional production sites in Poland, the USA and Brazil and 30 subsidiaries/representative offices. Blum supplies more than 120 markets. The Blum Group employs 7.600 people in total, 5.800 of whom work in Vorarlberg.



Global customer benefits

“Whether manufacturer, distributor, fitter or kitchen user – everybody should personally enjoy the benefits of Blum products” – that is Blum’s philosophy on global customer benefits.



Innovations

To support customers with innovative fittings solutions and secure long-term success for the company, we need to consistently invest in research and development, in plants and facilities and in employee training. With more than 2.100 granted patents worldwide, Blum is one of Austria’s most innovative companies.



Quality

Blum’s comprehensive concept of quality does not only apply to products. Services and collaboration with customers and partners should also meet the same quality requirements.



Environment

At Blum, we believe that responsible ecological behaviour has long-term economic benefits. The longevity of products is just one of many important aspects. Other important measures include the use of environmentally-friendly processes, the intelligent use of materials and prudent energy management.



DYNAMIC SPACE

Good workflows, optimum use of storage space and top quality motion are important features of a practical kitchen. Blum’s ideas for practical kitchens are designed to bring function, convenience and ergonomics to furniture interiors.



Julius Blum GmbH
Furniture Fittings Mfg.
6973 Höchst, Austria
Tel.: +43 5578 705-0
Fax: +43 5578 705-44
E-mail: info@blum.com
www.blum.com

