

NEW
BLUMOTION S
One for three



MOVENTO

The evolution of motion

www.blum.com

 **blum**[®]

Technological developments

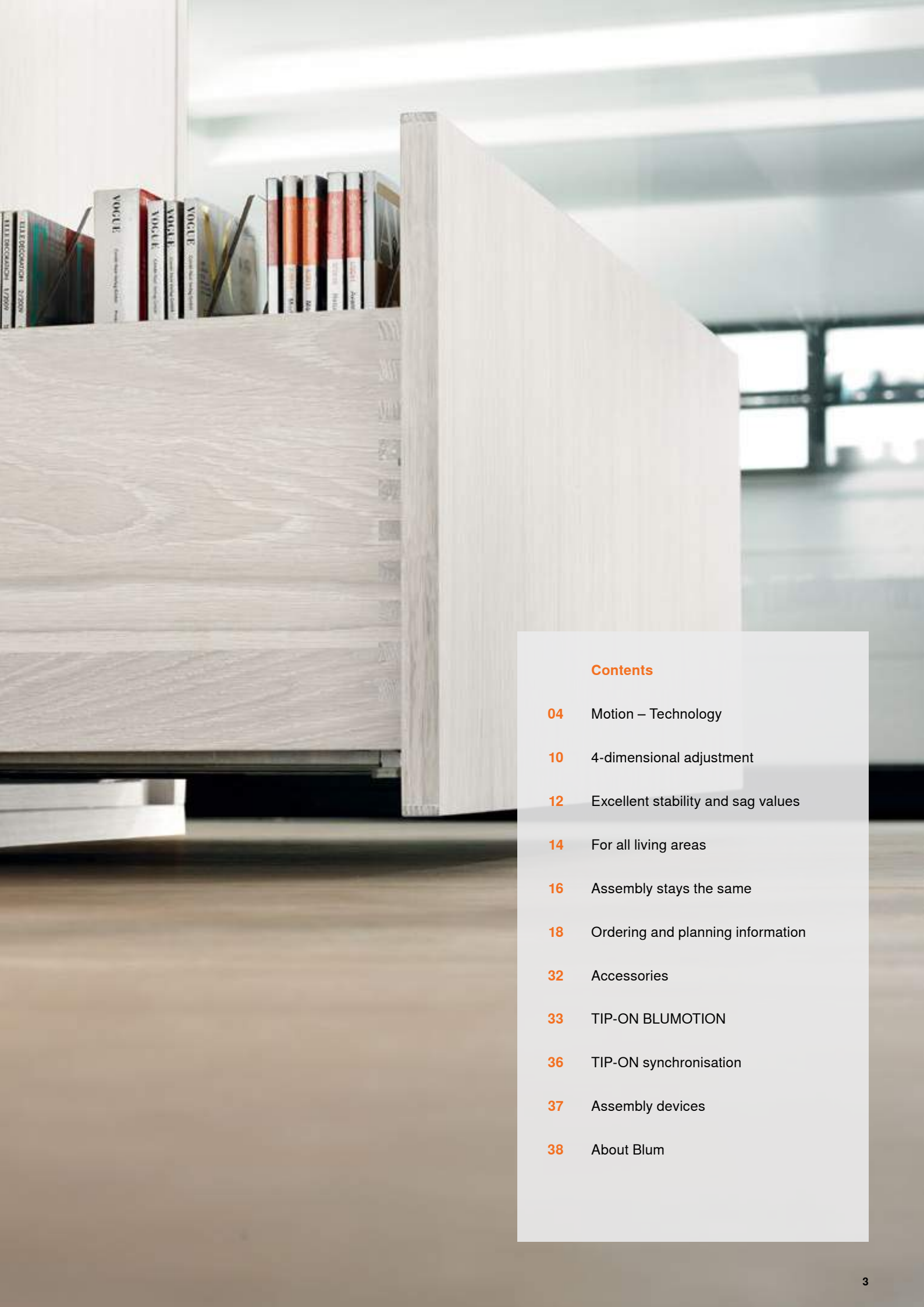
We have taken another step forward with our runner system: it ensures that the performance of the runner is even more precise and provides synchronised smooth running action as well as new adjustment options. This means that a wide variety of furniture ideas are possible with the MOVENTO range.

 **blum**



➤ The evolution of motion

www.blum.com/movento



Contents

- 04** Motion – Technology
- 10** 4-dimensional adjustment
- 12** Excellent stability and sag values
- 14** For all living areas
- 16** Assembly stays the same
- 18** Ordering and planning information
- 32** Accessories
- 33** TIP-ON BLUMOTION
- 36** TIP-ON synchronisation
- 37** Assembly devices
- 38** About Blum

Ease of motion when opening and closing

Opening, moving and closing. Our innovative technology ensures seamless motion in daily life.

 **blum**[®]



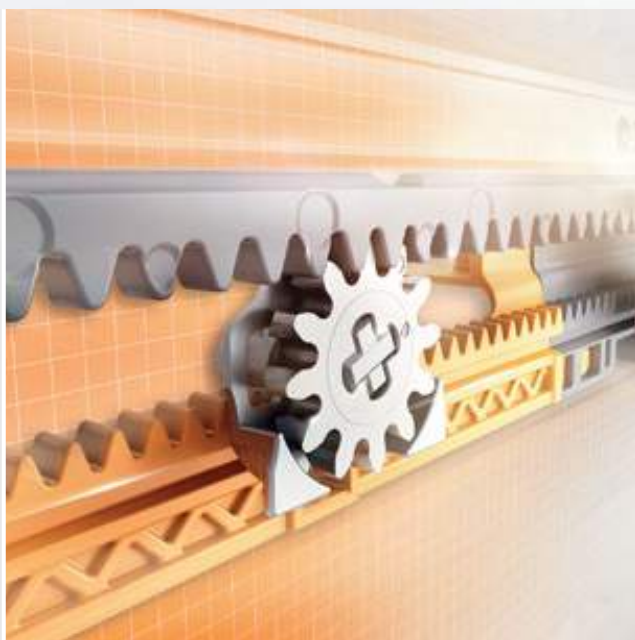
Easy opening

Minimal opening forces and a gentle transition to the feather-light glide characterise the optimised opening behaviour. This is especially noticeable in smaller, lighter pull-outs and small handle strips.



Outstanding quality of motion

Low-friction nylon rollers in the roller carriage runner and the synchronisation of the drawer profile and roller carriage ensure synchronised smooth running action. Pull-outs move very quietly, evenly and smoothly.



BLUMOTION soft close

Regardless of how large or heavy the pull-out or how much force is used for closing: Our proven BLUMOTION technology adapts and always ensures silent and effortless closing action.



Making motion a mesmerising experience

Blum's motion technologies not only make it easier to open and close furniture – they make motion a mesmerising experience. For a high quality of motion in all living areas – electrical or mechanical.

 **blum**





BLUMOTION

Furniture with integrated soft-close BLUMOTION always closes softly and effortlessly.



SERVO-DRIVE

The electrical motion support system SERVODRIVE is also an option for the MOVENTO runner. Mesmerisingly easy. A light touch is all that is required.



TIP-ON BLUMOTION

TIP-ON BLUMOTION combines the advantages of the TIP-ON mechanical opening support system with the reliable BLUMOTION dampening for silent and effortless closing – 100% mechanically.



TIP-ON

The integrated TIP-ON function allows for opening to occur with just a light touch. To close, simply press shut.



BLUMOTION S – One solution, three technologies

The new BLUMOTION S runner offers the flexibility to implement three different motion technologies, BLUMOTION, SERVO-DRIVE and TIP-ON BLUMOTION, with just one runner. The dampening function can also be adjusted to suit each motion technology. The drilling and fixing positions remain the same for each of the three motion technologies.

 **blum**



BLUMOTION

by Blum

SERVO-DRIVE

by Blum

**TIP-ON
BLUMOTION**

by Blum



Same components

Both TIP-ON BLUMOTION and SERVO-DRIVE use the existing motion technology components. Accessories like the side stabiliser for wide drawers and pull-outs remain the same as well.

New adjustment dimensions

With MOVENTO, the front side gap can be adjusted, also depth, along with the height and tilt. Depth adjustment is an optional feature on furniture with inset fronts. Gap layout is therefore quick and easy, precise and tool-free. No amendment to the drawer assembly is required either.

 **blum**



➤ 4-dimensional adjustment

www.blum.com/movento-videos



Side adjustment using the locking device – if needed, corrections can be duplicated at the rear of the runner



Height adjustment



Tilt adjustment



Depth adjustment

More possibilities

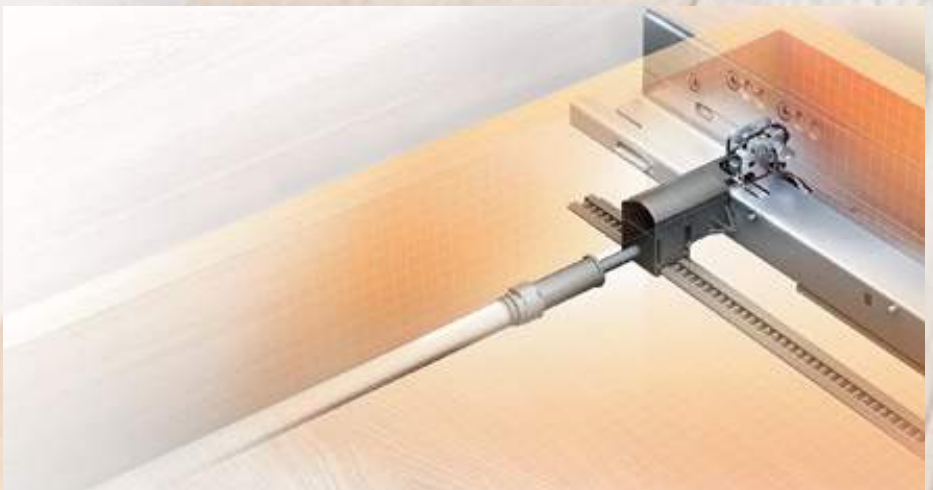
The MOVENTO runner is characterised by high stability and excellent sag values. This is a real advantage for applications that are close to the floor.

 **blum**



Full load bearing capacity

MOVENTO is available in a 40 kg and a 60 kg load bearing class. This opens up numerous possibilities for furniture design, such as the use of extra-wide, high and deep pull-outs. This creates lots of storage space that can be filled with heavy items.



High stability

The optional side stabilisation, which is invisible to the furniture user, is ideal for wide pull-outs with short nominal lengths. No assembly effort is required for the cabinet and drawer. All MOVENTO motion technologies can be combined with side stabilisation.



For all living areas

MOVENTO was designed specially for the high demands of everyday kitchen use, i.e. for heavy storage items, and frequent opening and closing. However, it is also a good match in any other living area, with a load bearing capacity of up to 40 kg and 60 kg, high stability and good running characteristics.

 **blum**

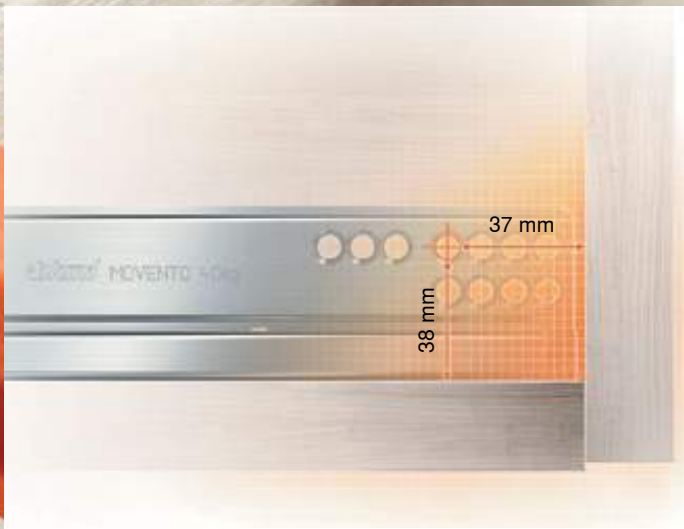


Assembly stays the same

The runner system gives you an extensive range of options, and yet assembly is always the same.



blum



Our development goal: the same fixing position

Regardless of whether the runner is combined with BLUMOTION, SERVO-DRIVE, TIP-ON BLUMOTION, TIP-ON or a side stabiliser, the drilling pattern and fixing positions of the cabinet profile always remain the same.

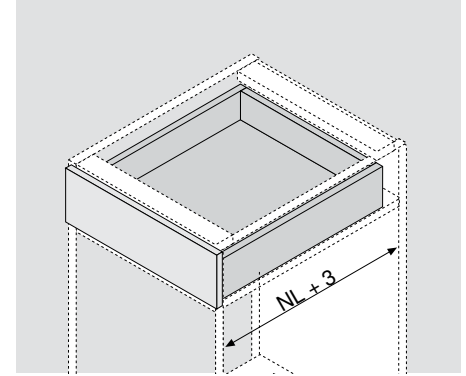
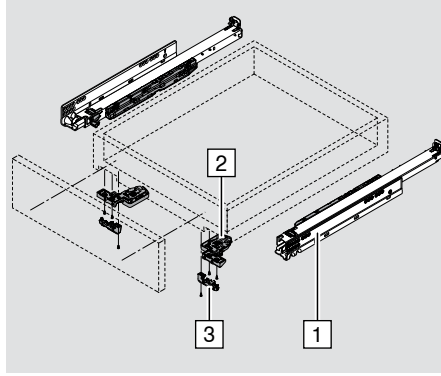
Continue to use existing devices

Our existing assembly devices can also be used for MOVENTO. Our assembly templates, stops, drilling and insertion machines help ensure fast, simple and easy assembly.

Product



Space requirement



Order specification


1	Runners left/right								
	NL (mm)	BLUMOTION S*				TIP-ON			
	250**	40 kg	760H2500S			40 kg	760H2500T		
	270	40 kg	760H2700S			40 kg	760H2700T		
	300	40 kg	760H3000S			40 kg	760H3000T		
	320	40 kg	760H3200S			40 kg	760H3200T		
	350	40 kg	760H3500S			40 kg	760H3500T		
	380	40 kg	760H3800S			40 kg	760H3800T		
	400	40 kg	760H4000S			40 kg	760H4000T		
	420	40 kg	760H4200S			40 kg	760H4200T		
	450	40 kg	760H4500S	60 kg	766H4500S	40 kg	760H4500T	60 kg	766H4500T
	480	40 kg	760H4800S			40 kg	760H4800T		
	500	40 kg	760H5000S	60 kg	766H5000S	40 kg	760H5000T	60 kg	766H5000T
	520	40 kg	760H5200S	60 kg	766H5200S	40 kg	760H5200T	60 kg	766H5200T
	550	40 kg	760H5500S	60 kg	766H5500S	40 kg	760H5500T	60 kg	766H5500T
	580			60 kg	766H5800S			60 kg	766H5800T
	600	40 kg	760H6000S	60 kg	766H6000S	40 kg	760H6000T	60 kg	766H6000T
	650			60 kg	766H6500S			60 kg	766H6500T
	700			60 kg	766H7000S			60 kg	766H7000T
750			60 kg	766H7500S			60 kg	766H7500T	
* Suitable for SERVO-DRIVE and TIP-ON BLUMOTION									
** Cannot be used in combination with TIP-ON BLUMOTION									

1	Left/right runners for cabinet underside fixing		
	NL (mm)		BLUMOTION S*
	350	40 kg	760H3500SU
	400	40 kg	760H4000SU
	450	40 kg	760H4500SU
	500	40 kg	760H5000SU
* Suitable for SERVO-DRIVE and TIP-ON BLUMOTION			

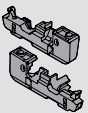
Drawer/inner drawer

MOVENTO



	2 Left/right locking device	
	Material	Plastic/steel
	Colour	Orange
	Left/right should be ordered separately	
		T51.7601

Accessories

	3 Left/right depth adjustment	
	Material	Plastic
	Colour	RAL 7037 dust grey
	Left/right should be ordered separately	
		298.7601
Necessary only for inset applications for MOVENTO with BLUMOTION. Integrated SERVO-DRIVE bumper.		

	Longside gallery rails with back fixing left/right	
	Material	Aluminium
	Colour	Chrome plated
	NL (mm)	
	400	ZRE.363A.ID
	450	ZRE.413A.ID
	480	ZRE.443A.ID
	500	ZRE.463A.ID
	520	ZRE.483A.ID
	550	ZRE.513A.ID
600	ZRE.563A.ID	
650	ZRE.613A.ID	

Planning

Space requirements in the cabinet

* + 1 mm if cabinet profile is installed before cabinet is assembled

Drawer/inner drawer

** Limited side adjustment for a drawer side panel thickness of 16 mm, but with full tolerance utilisation of the SKW

Drawer

* Additional + 12 mm with side stabilisation

Inner drawer

With BLUMOTION S

* Additional + 3 mm with depth adjustment

with TIP-ON

Cabinet profile screw position – 40 kg

NL (mm)	224	160	32	37	9
250, 270	256				
300-350					
380-520					
550, 600					

Cabinet profile screw position – 60 kg

NL (mm)	224	256	320	416	9	32	37
450							
500-600							
650-750							

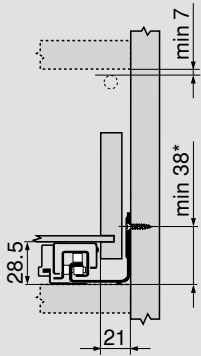
ISKL Inner drawer length
LW Internal cabinet width

NL Nominal length
SKL Drawer length

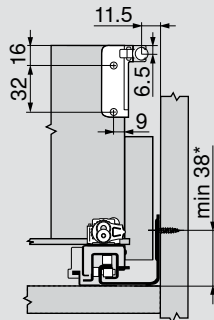
SKW Internal drawer width
X Front thickness

Planning

Space requirements in the cabinet

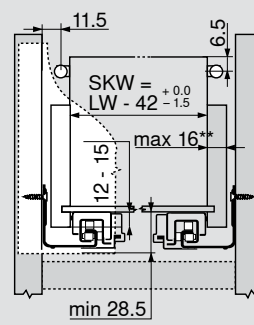


* + 1 mm if cabinet profile is installed before cabinet is assembled

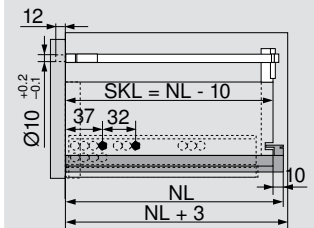


* + 1 mm if cabinet profile is installed before cabinet is assembled

High fronted pull-out



** Limited side adjustment for a drawer side panel thickness of 16 mm, but with full tolerance utilisation of the SKW

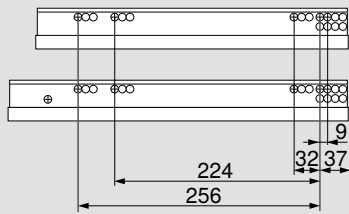


Cabinet profile screw position – 40 kg

NL (mm)

400–520

550, 600



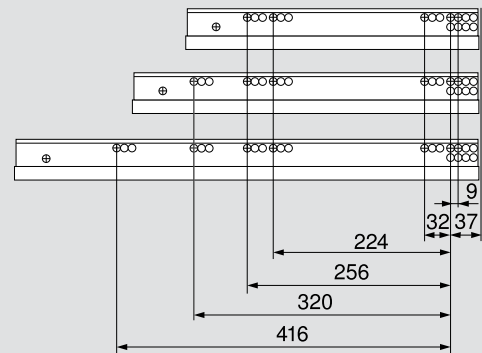
Cabinet profile screw position – 60 kg

NL (mm)

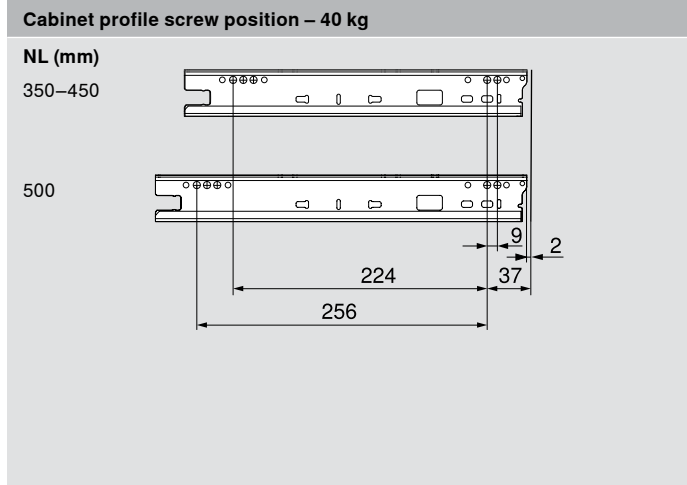
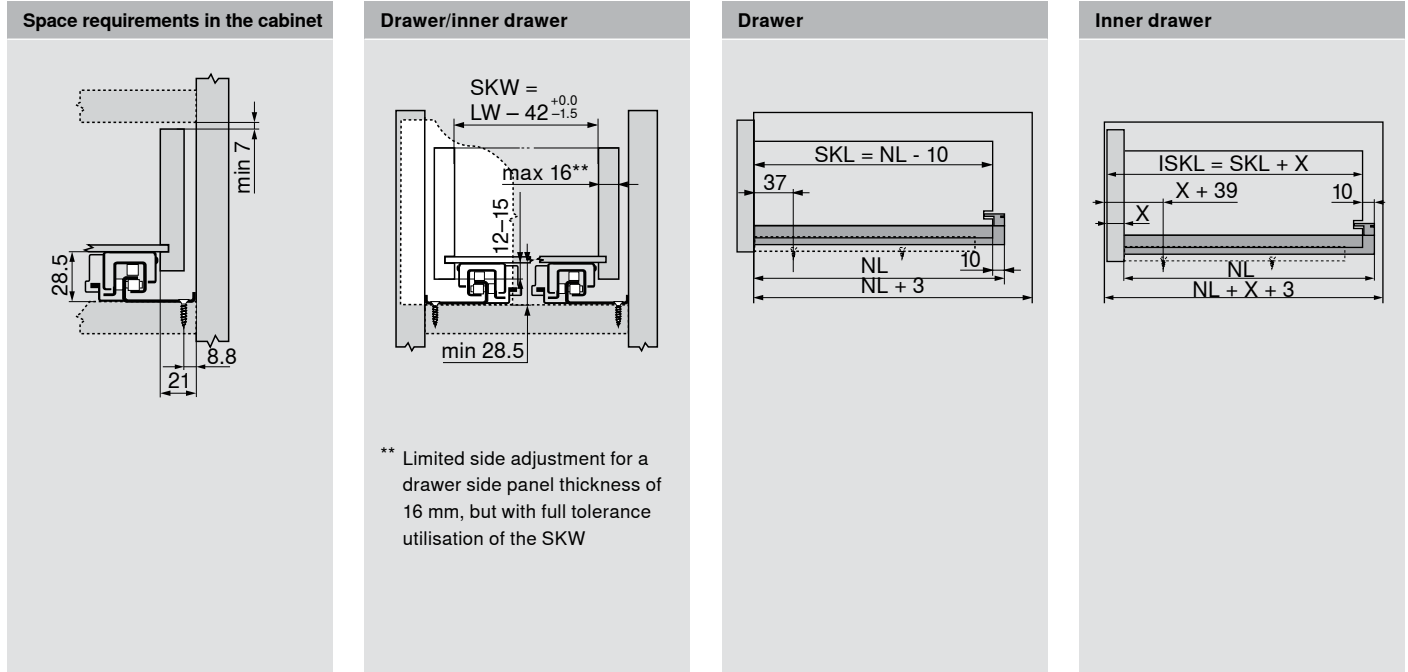
450

500–600

650



Planning



ISKL Inner drawer length
LW Internal cabinet width

NL Nominal length
SKL Drawer length

SKW Internal drawer width
X Front thickness

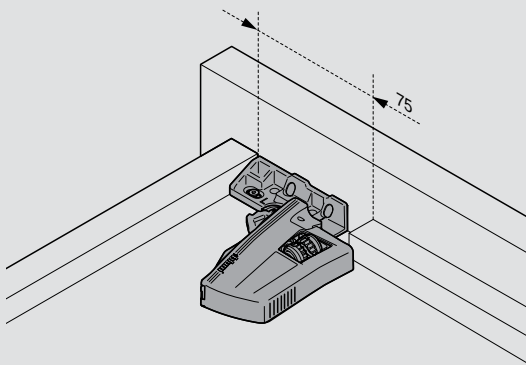
Drawer/inner drawer High fronted pull-out

MOVENTO

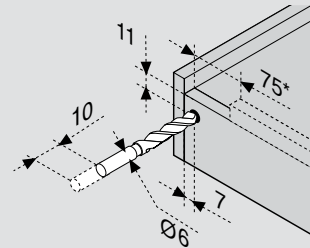


Planning

Drawer/front pull-out assembly



Use drilling template T65.1000.02

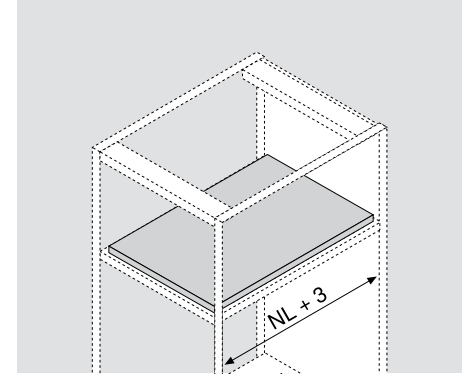
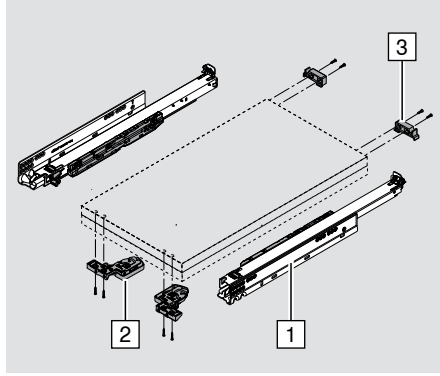


* TIP-ON BLUMOTION 125 mm

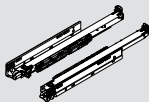
Product

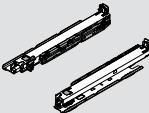


Space requirement



Order specification


1	Runners left/right							
	NL (mm)	BLUMOTION S*				TIP-ON		
	250**	40 kg	760H2500S			40 kg	760H2500T	
270	40 kg	760H2700S			40 kg	760H2700T		
300	40 kg	760H3000S			40 kg	760H3000T		
320	40 kg	760H3200S			40 kg	760H3200T		
350	40 kg	760H3500S			40 kg	760H3500T		
380	40 kg	760H3800S			40 kg	760H3800T		
400	40 kg	760H4000S			40 kg	760H4000T		
420	40 kg	760H4200S			40 kg	760H4200T		
450	40 kg	760H4500S	60 kg	766H4500S	40 kg	760H4500T	60 kg	766H4500T
480	40 kg	760H4800S			40 kg	760H4800T		
500	40 kg	760H5000S	60 kg	766H5000S	40 kg	760H5000T	60 kg	766H5000T
520	40 kg	760H5200S	60 kg	766H5200S	40 kg	760H5200T	60 kg	766H5200T
550	40 kg	760H5500S	60 kg	766H5500S	40 kg	760H5500T	60 kg	766H5500T
580			60 kg	766H5800S			60 kg	766H5800T
600	40 kg	760H6000S	60 kg	766H6000S	40 kg	760H6000T	60 kg	766H6000T
650			60 kg	766H6500S			60 kg	766H6500T
700			60 kg	766H7000S			60 kg	766H7000T
750			60 kg	766H7500S			60 kg	766H7500T
* Suitable for SERVO-DRIVE and TIP-ON BLUMOTION								
** Cannot be used in combination with TIP-ON BLUMOTION								

1	Left/right runners for cabinet base fixing		
	NL (mm)		BLUMOTION S*
	350	40 kg	760H3500SU
	400	40 kg	760H4000SU
	450	40 kg	760H4500SU
	500	40 kg	760H5000SU
* Suitable for SERVO-DRIVE and TIP-ON BLUMOTION			

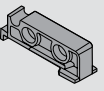
Pull-out surround

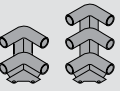
MOVENTO

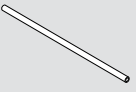


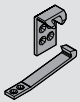
	2 Left/right locking device	
	Material	Plastic/steel
	Colour	Orange
	Left/right should be ordered separately	
		T51.7601

Accessories

	3 Back fixing bracket	
	Material	Plastic
	Colour	Natural
		T51.7000.01

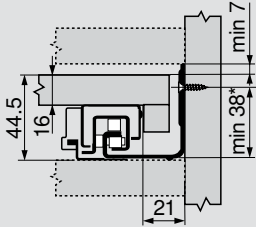
	Corner connectors	
	Material	Plastic
	Colour	RAL 7037 dust grey
	2 tier	
	3 tier	
		ZTU.00Z0
		ZTU.00D0

	Gallery rail	
	For cutting to size, 1094 mm	
	Chrome plated	
	Cutting: KB - 106 mm	
	Cutting: NL - 64 mm	
		ZRG.1094U

	Lock-open stop	
	Material	Plastic
	Colour	Natural
		295.5600

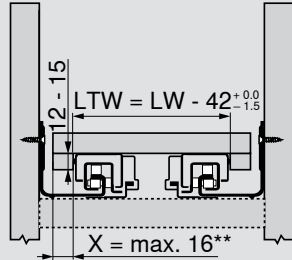
Planning

Space requirements in the cabinet

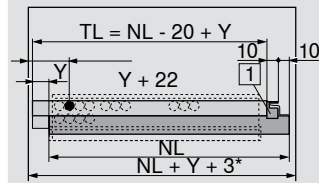


* + 1 mm if cabinet profile is installed before cabinet is assembled

Pull-out surround



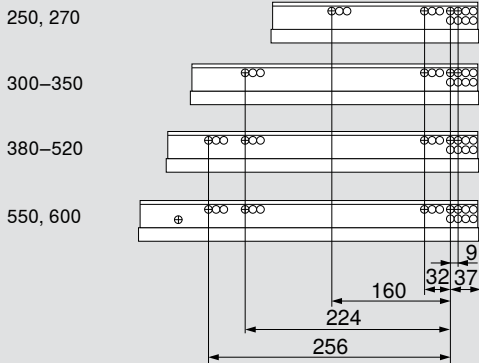
** Limited side adjustment for a pull-out surround side panel thickness of 16 mm, but with full tolerance utilisation of the LTW



* Additional + 4 mm with TIP-ON
1) Back fixing bracket T51.7000.01

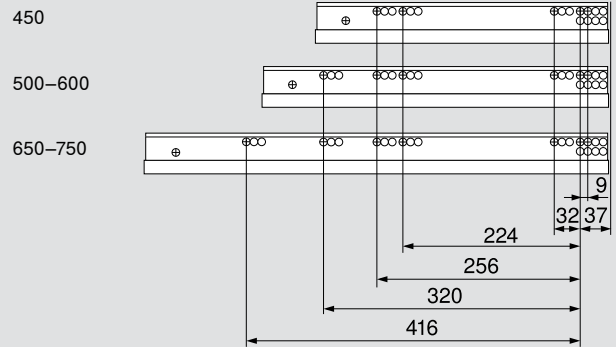
Cabinet profile screw position – 40 kg

NL (mm)



Cabinet profile screw position – 60 kg

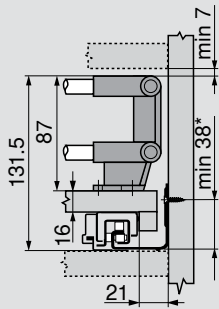
NL (mm)



Planning

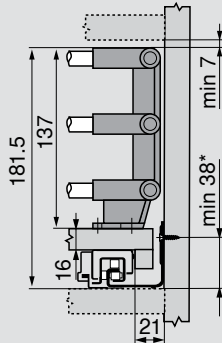
Space requirements in the cabinet

with 2 tier gallery



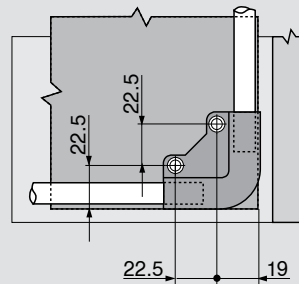
* + 1 mm if cabinet profile is installed before cabinet is assembled

With 3 tier gallery

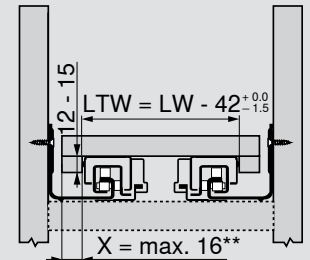


* + 1 mm if cabinet profile is installed before cabinet is assembled

Installation dimensions – corner connectors

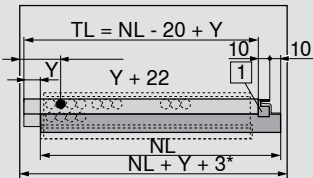


Pull-out surround



** Limited side adjustment for a pull-out surround side panel thickness of 16 mm, but with full tolerance utilisation of the LTW

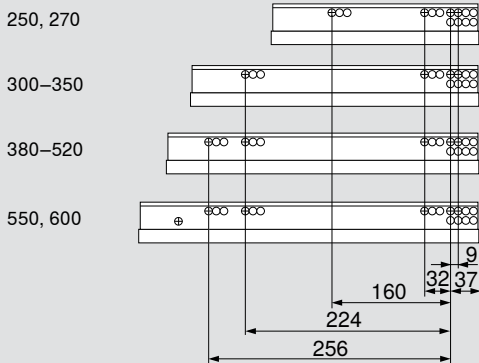
Pull-out surround



* Additional + 4 mm with TIP-ON
1) Back fixing bracket T51.7000.01

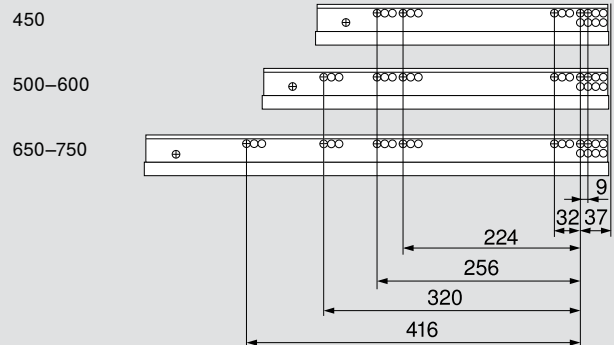
Cabinet profile screw position – 40 kg

NL (mm)



Cabinet profile screw position – 60 kg

NL (mm)



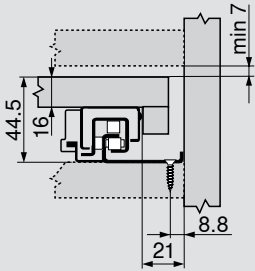
LTW Underside width
LW Internal cabinet width

NL Nominal length
TL Shelf length

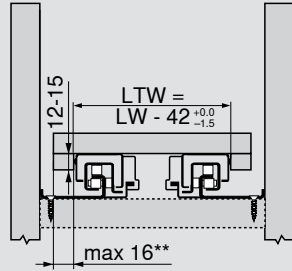
X Thick surround side cover
Y Surround protrusion

Planning

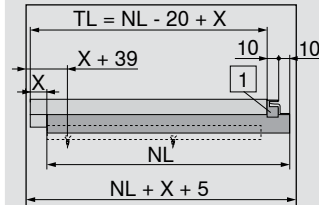
Space requirements in the cabinet



Pull-out surround



** Limited side adjustment for a pull-out surround side panel thickness of 16 mm, but with full tolerance utilisation of the LTW



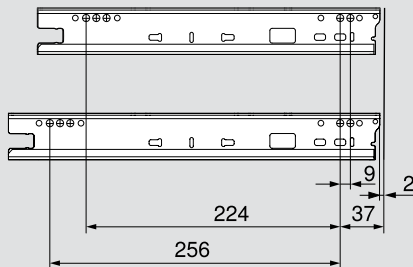
1) Back fixing bracket T51.7000.01

Cabinet profile screw position – 40 kg

NL (mm)

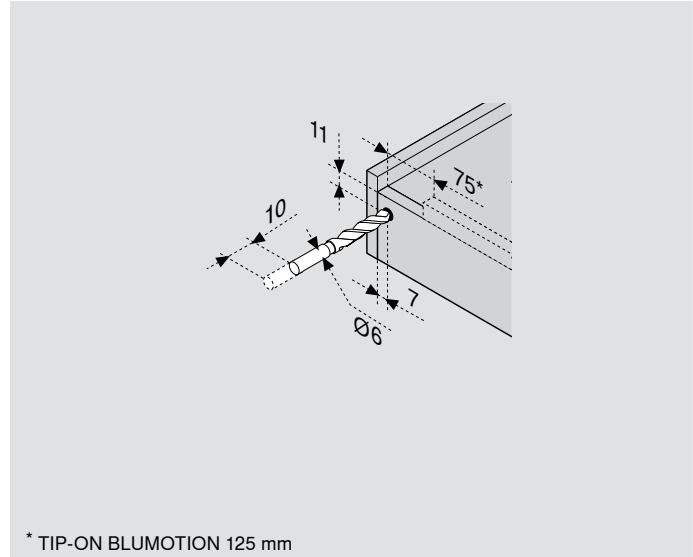
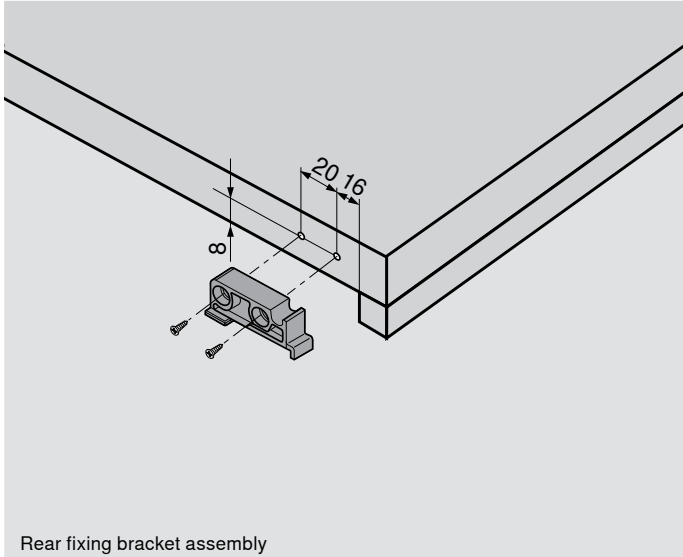
350-450

500

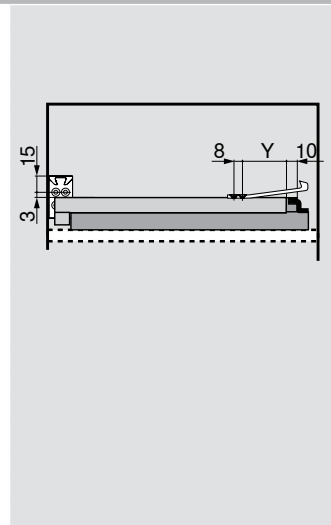
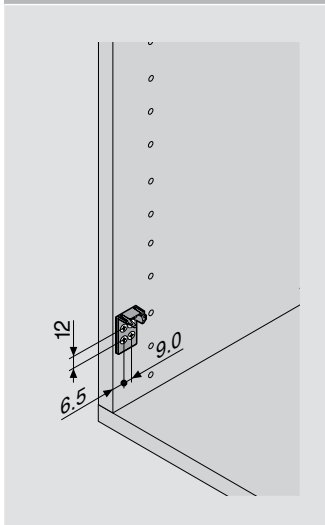


Planning

POS processing



Lock-open stop



NL (mm)	Y (mm)	
	760H	766H
250	77	-
270	72	-
300	72	-
320	72	-
350	72	-
380	72	-
400	72	-
420	72	-
450	72	72
480	72	-
500	72	72
520	72	72
550	72	72
580	-	72
600	72	72
650	-	72
700	-	72
750	-	72

BLUMOTION S or TIP-ON cabinet profiles

Cabinet profile 760H – 40 kg

NL (mm)

NL 250–270

NL 300–320

NL 350

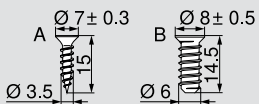
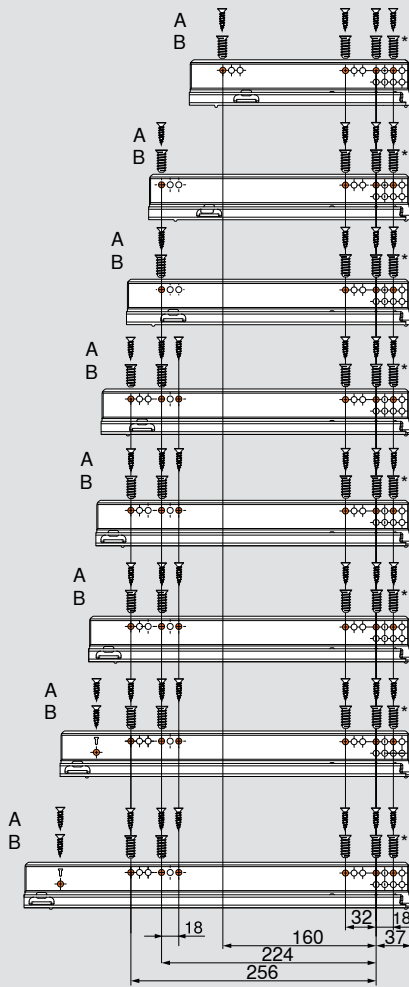
NL 380–480

NL 500

NL 520

NL 550

NL 600



Cabinet profile 766H – 60 kg

NL (mm)

NL 450

NL 500

NL 520

NL 550

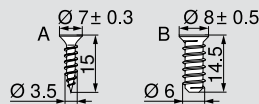
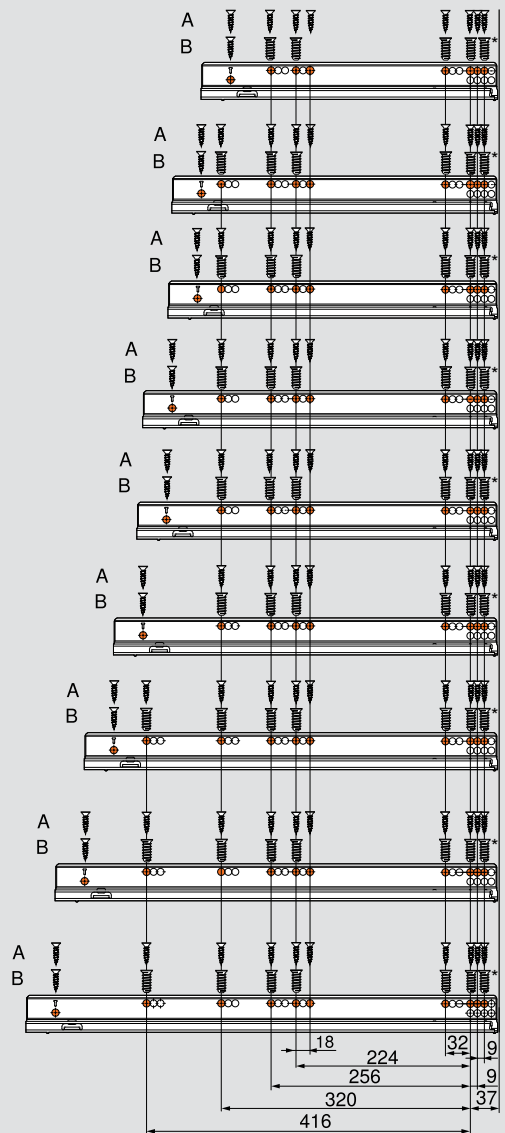
NL 580

NL 600

NL 650

NL 700

NL 750

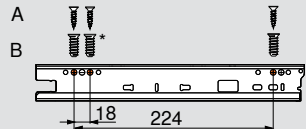


	A Chipboard screw Ø 3.5 x 15 mm Extreme back fixing position ensures optimal stability.	609.1500
	B System screw Ø 6 x 14.5 mm Extreme back fixing position ensures optimal stability. * Can be replaced with chipboard screw Ø 4 x 15 mm	661.1450.HG

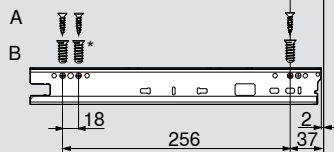
Cabinet profile – cabinet underside fixing 760H – 40 kg

NL (mm)

NL 350–450

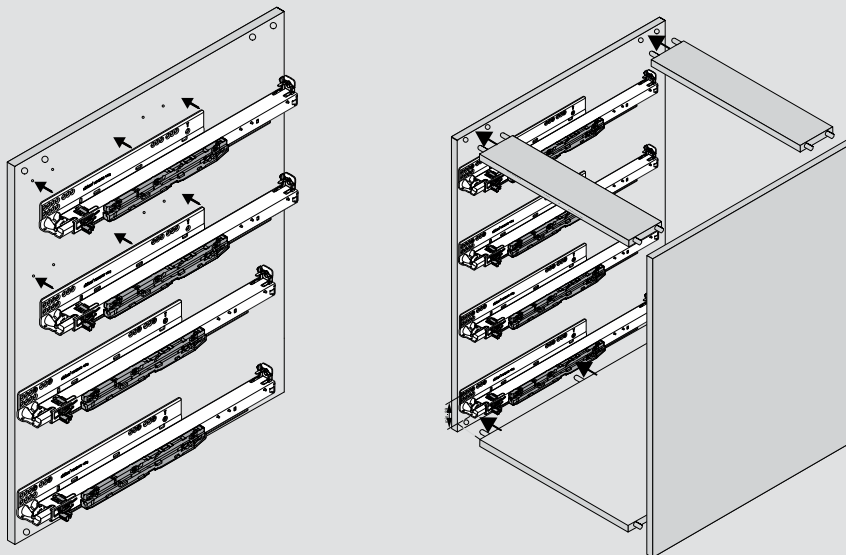


NL 500



A	Chipboard screw	
	Ø 3.5 x 15 mm	609.1500
	Extreme back fixing position ensures optimal stability.	
B	System screw	
	Ø 6 x 14.5 mm	661.1450.HG
	Extreme back fixing position ensures optimal stability.	
* Can be replaced with chipboard screw Ø 4 x 15 mm		

Cabinet manufacturing



i

Note

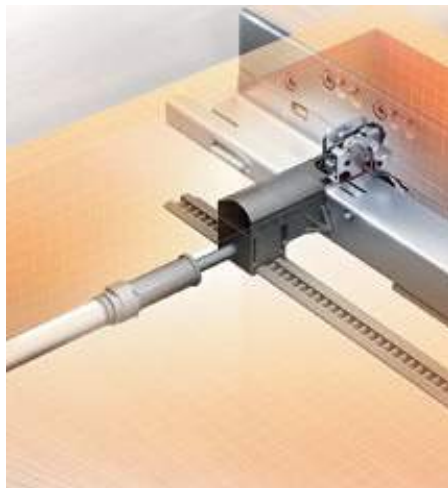
Should the runners be inserted before the cabinet is assembled, the fixing position must, due to tolerances in the runner and cabinet, be increased by at least 1 mm from 38 mm to at least 39 mm.

MOVENTO



Accessories

Side stabiliser



More detailed description

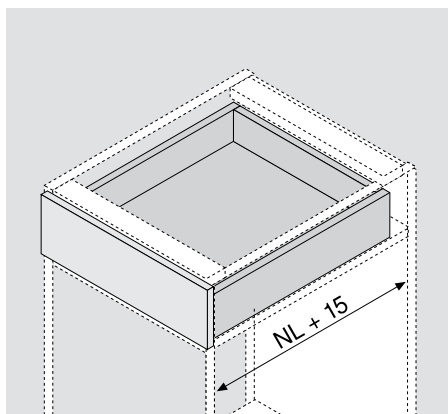
- Ideal for wide pull-outs with short nominal lengths
- Compatible with all MOVENTO motion technologies
- Tool-free, fast and simple assembly
- No space needed under runner
- Invisible to users
- Quiet running action



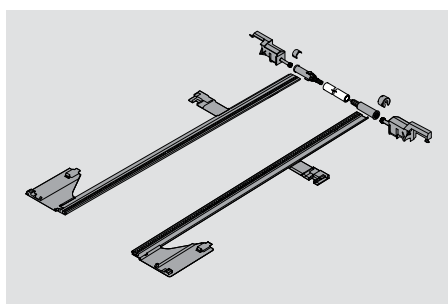
> MOVENTO
Side stabiliser

www.blum.com/movento-videos

Space requirement



Order specification



Side stabilisation set	
For KB 1400 mm for cutting to size	
For NL up to (mm)	
400	ZS7M400MU
600	ZS7M600MU
750	ZS7M750MU
Shaft cutting: LW - 315 mm	
Gear rack cutting: NL + 10 mm	

KB Cabinet width

LW Internal cabinet width

NL Nominal length

Product



More detailed description

- Mechanical opening support system TIP-ON combined with BLUMOTION for a silent and effortless closing
- Dynamic carrying capacity of 40 kg and 60 kg
- Synchronised smooth running action
- Low minimum front gap of 2.5 mm
- Extensive trigger range
- Synchronisation recommended with internal cabinet widths of 265 mm or more
- 4-dimensional front adjustment option

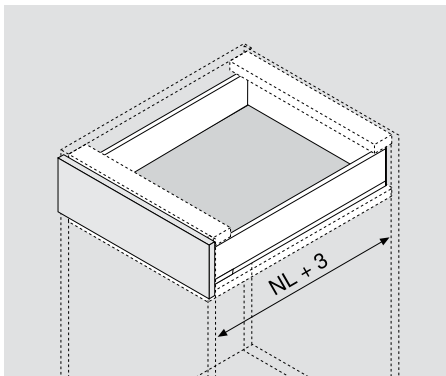
Assembly, adjustment and removal



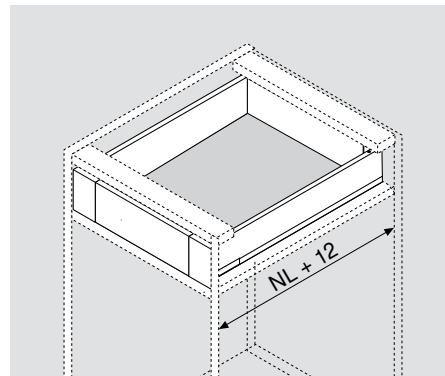
> TIP-ON BLUMOTION
Assembly, adjustment and removal

www.blum.com/tipon-blumotion1

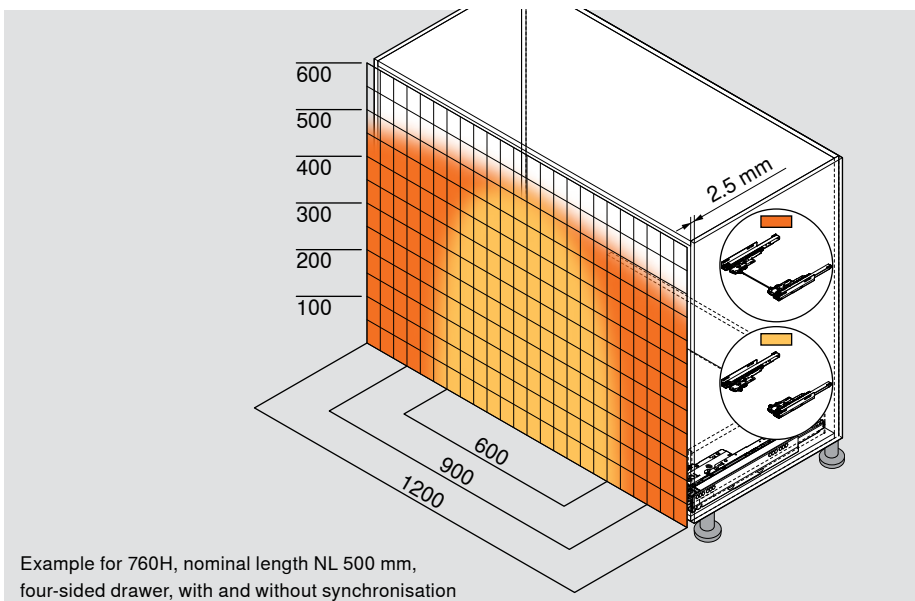
Space requirement
Drawer/High fronted pull-out



Space requirement
Inner drawer/pull-out



TIP-ON BLUMOTION synchronisation

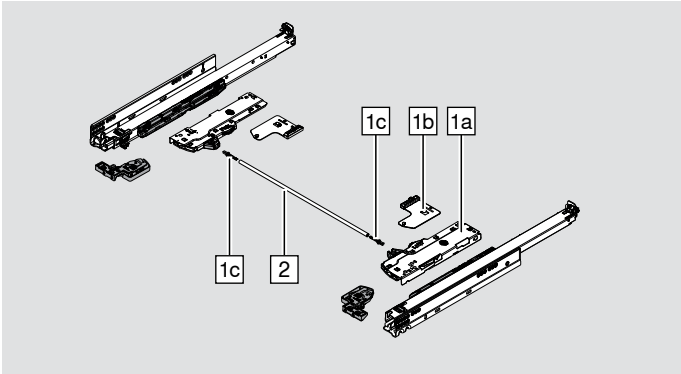


Example for 760H, nominal length NL 500 mm, four-sided drawer, with and without synchronisation

An extensive trigger range is achieved even with a low minimum front gap of 2.5 mm. To achieve optimal function and to extend the trigger range, we recommend using a synchronisation.

- With synchronisation
- Without synchronisation

Order specification



Make the right calculations for your TIP-ON BLUMOTION unit using the product configurator: www.blum.com/configurator

1	TIP-ON BLUMOTION set			
	Consisting of: 1a 2 x TIP-ON BLUMOTION unit 1b 2 x TIP-ON BLUMOTION latch 1c 2 x synchronisation adapter			
	NL (mm)	Unit	Weight (kg)*	
	270–320	S0	≤ 10	T60L7040
		S1	> 10–20	T60L7140
	350–750	L1**	≤ 20	T60L7340
		L3	15–40	T60L7540
L5***		35–60	T60L7570	

Accessories

TIP-ON BLUMOTION synchronisation adapter	
	Symmetrical
	When used with 2, two pieces required each time
	LW ≥ 314 mm T60.000D

TIP-ON BLUMOTION front gap template	
	For adjusting the front gap to 2.5 mm on both sides
	65.5631
	Use of the front gap template is recommended!

2	TIP-ON BLUMOTION synchronisation linkage		
	Possible for LW ≥ 314 mm		
	Suitable for LW up to 1370 mm		
	T60.1125W		
	Shaft cutting: LW - 267 mm		

For short LWs (alternative to 2)			
TIP-ON BLUMOTION one-part synchronisation			
	Symmetrical		
	LW 265–313 mm	T60.300D	
	Cutting: LW - 241 mm		

* Recommended weight ranges (total weight of pull-out) for optimum opening and closing function

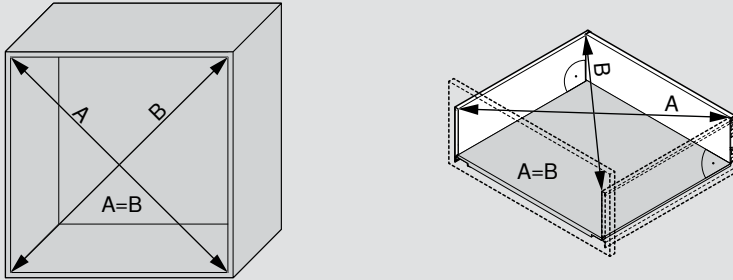
** Can only be combined with 40 kg cabinet profile (760H)

*** Can only be combined with 60 kg cabinet profile (766H)

LW Internal cabinet width
NL Nominal length

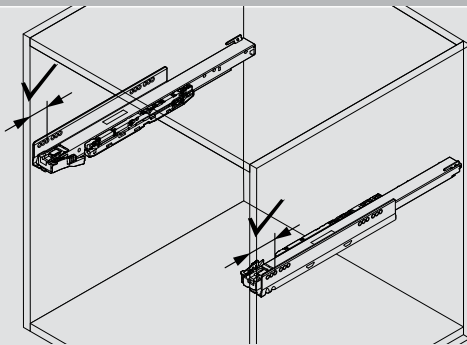
Planning

Furniture construction



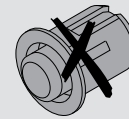
To ensure a front gap of at least 2.5 mm, precise manufacturing is required, so it should be ensured that planned measurements and angle accuracy are adhered to.

Depth position



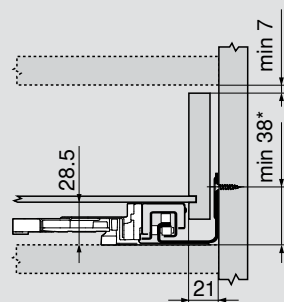
Observe exact depth position of both cabinet profiles.

Front assembly



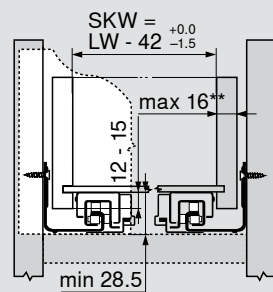
Bumpers should not be installed for TIP-ON BLUMOTION!

Space requirements in the cabinet



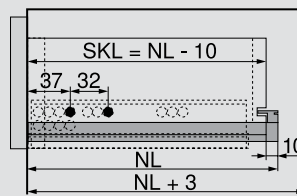
* + 1 mm if cabinet profile is installed before cabinet is assembled

Drawer/inner drawer

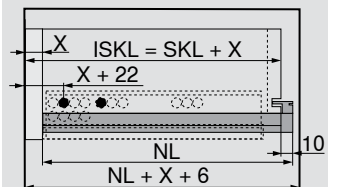


** Limited side adjustment for a drawer side panel thickness of 16 mm, but with full tolerance utilisation of the SKW

Drawer

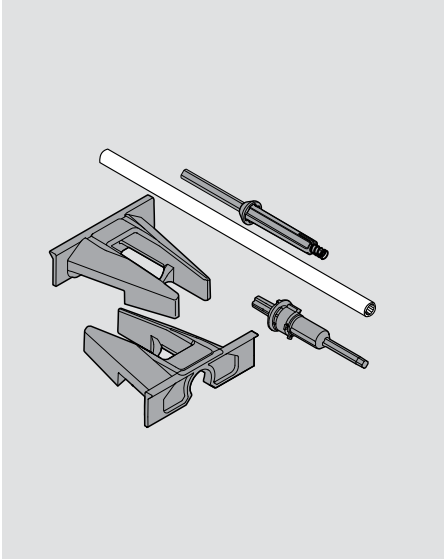


Inner drawer



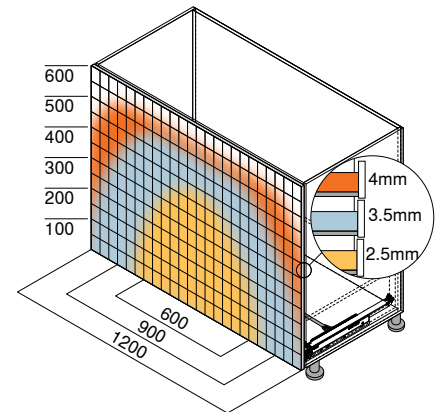
TIP-ON synchronisation

Product



More detailed description

- Synchronisation for secure opening and closing for MOVENTO with TIP-ON
- For expanding the trigger range on the pull-out front
- Recommended for KB 600 mm and higher
- Front gap 3.5 mm



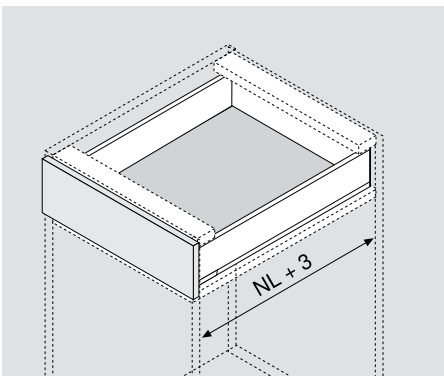
Assembly, adjustment and removal



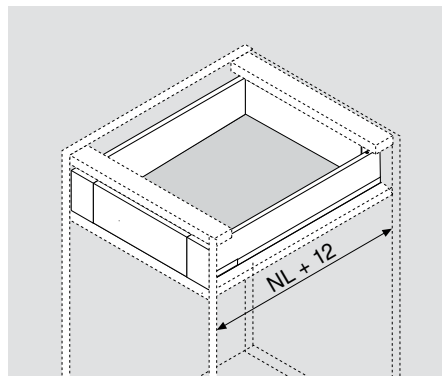
> TIP-ON
Assembly, adjustment and removal

www.blum.com/tipon2

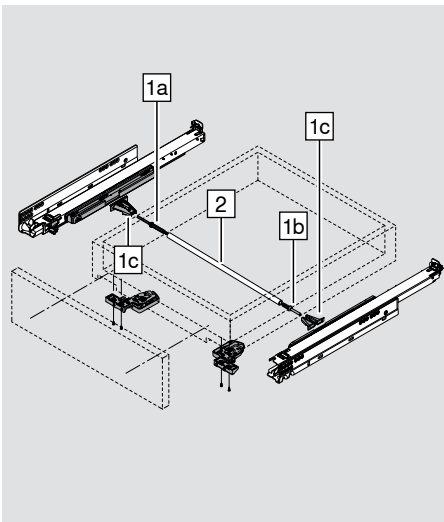
Space requirement Drawer/High fronted pull-out



Space requirement Inner drawer/pull-out



Order specification



1	TIP-ON synchronisation pinion set	
	Consisting of: 1a 1 x locking device 1b 1 x overload locking device 1c 2 x attachments	
	Colour	RAL 7037 dust grey
Version	Round	
T57.7400.01		
2	TIP-ON synchronisation linkage	
	Material	Aluminium
	Version	Round
	For cutting to size, 1160 mm Shaft cutting: LW - 249 mm	ZST.1160W

Assembly devices Assembly, adjustment and removal

MOVENTO



Drilling template for MOVENTO



More detailed description

- Template for drilling the runner hook positions
- Pre-drilling MOVENTO locking device fixing positions
- Material: Plastic/steel

Order specification

Drilling template for MOVENTO	
	
	T65.1000.02


Universal rod template



More detailed description

- Template for pre-drilling the fixing positions for cabinet profiles
- The template can be used with assembled and unassembled cabinets
- Material: Plastic/steel/aluminium/zinc

Order specification

Universal rod template	
	
	T65.1000.01

Assembly, adjustment and removal



> MOVENTO
 Assembly, adjustment and removal
www.blum.com/movento1

The company Blum

Founded over 60 years ago by Julius Blum, Blum is a family-owned company that operates on an international scale. Its strategic business segments include lift, hinge and pull-out systems. All our product developments focus on perfecting motion.

www.blum.com

 **blum**





Blum in Austria and around the world

The company has eight plants in Vorarlberg, Austria, additional production sites in Poland, the USA and Brazil and 30 subsidiaries/representative offices. Blum supplies more than 120 markets. The Blum Group employs 7.600 people in total, 5.800 of whom work in Vorarlberg.



Global customer benefits

“Whether manufacturer, distributor, fitter or kitchen user – everybody should personally enjoy the benefits of Blum products” – that is Blum’s philosophy on global customer benefits.



Innovations

To support customers with innovative fittings solutions and secure long-term success for the company, we need to consistently invest in research and development, in plants and facilities and in employee training. With more than 2.100 granted patents worldwide, Blum is one of Austria’s most innovative companies.



Quality

Blum’s comprehensive concept of quality does not only apply to products. Services and collaboration with customers and partners should also meet the same quality requirements.



Environment

At Blum, we believe that responsible ecological behaviour has long-term economic benefits. The longevity of products is just one of many important aspects. Other important measures include the use of environmentally-friendly processes, the intelligent use of materials and prudent energy management.



DYNAMIC SPACE

Good workflows, optimum use of storage space and top quality motion are important features of a practical kitchen. Blum’s ideas for practical kitchens are designed to bring function, convenience and ergonomics to furniture interiors.



Julius Blum GmbH
Furniture Fittings Mfg.
6973 Höchst, Austria
Tel.: +43 5578 705-0
Fax: +43 5578 705-44
E-mail: info@blum.com
www.blum.com

