

EVoline[®] Wing





EVoline[®] Wing

This is how drawers are safely electrified.

The horizontal and vertical cable management system for all movable and extendable furniture parts EVoline Wing is the solution for in-drawer-fitted sockets and charging systems.

Wing guides cables behind the drawer to save space without bending or jamming them, ensuring that drawers open and close easily. Added

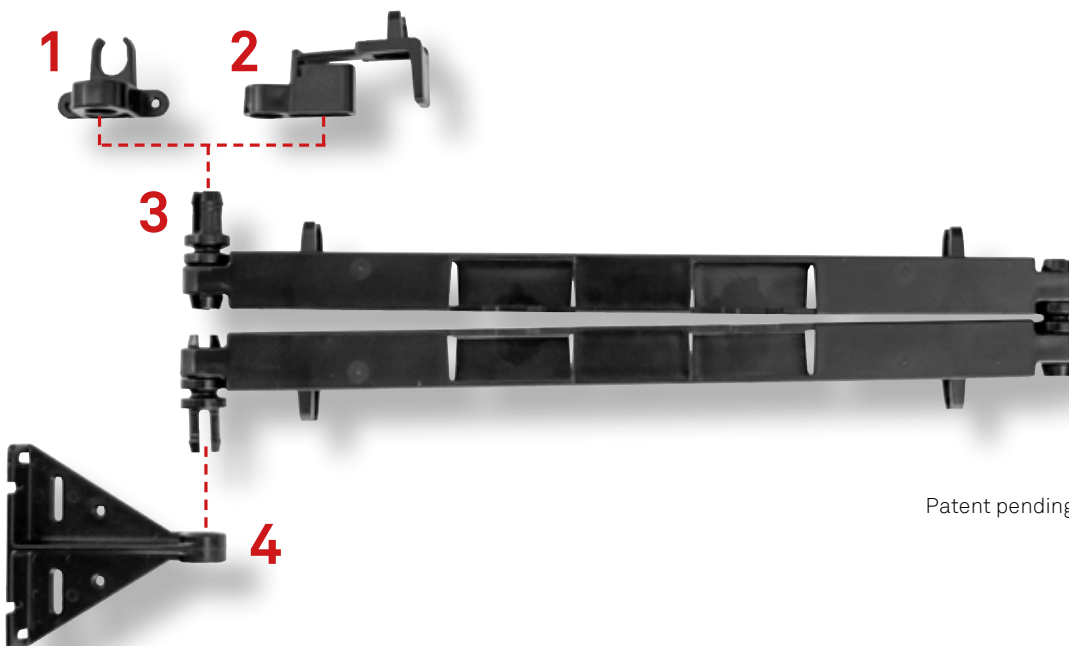
to kitchens or workrooms, wooden or metal rear panels, the fitted solution can be mounted as required so that connections are easily accessible and securely concealed in the storage space. Suitable for all types of cables such as HDMI, LAN, all the way to wire ones that prevent drawers from being opened out all the way.



1 Mounting on a wooden back panel



2 Mounting on a metal back panel



Patent pending.

Delivery content:

- 1 Cable guide for wooden back panel to be screwed on
- 2 Cable guide for metal back panel for clamping
- 3 Pre-assembled cable guide arm
- 4 Mounting bracket

EVoline Wing - The cable management system for all movable and/or extendable furniture parts - horizontally and vertically. For all types of cables such as HDMI, LAN, etc. up to wire ropes for drawer pull-out protection.

Schulte Elektrotechnik GmbH & Co. KG

Jüngerstraße 21
D-58515 Lüdenscheid

phone +49 23 51 / 94 81-0
fax +49 23 51 / 4 26 58

mail info@schulte.com
internet www.evoline.com

