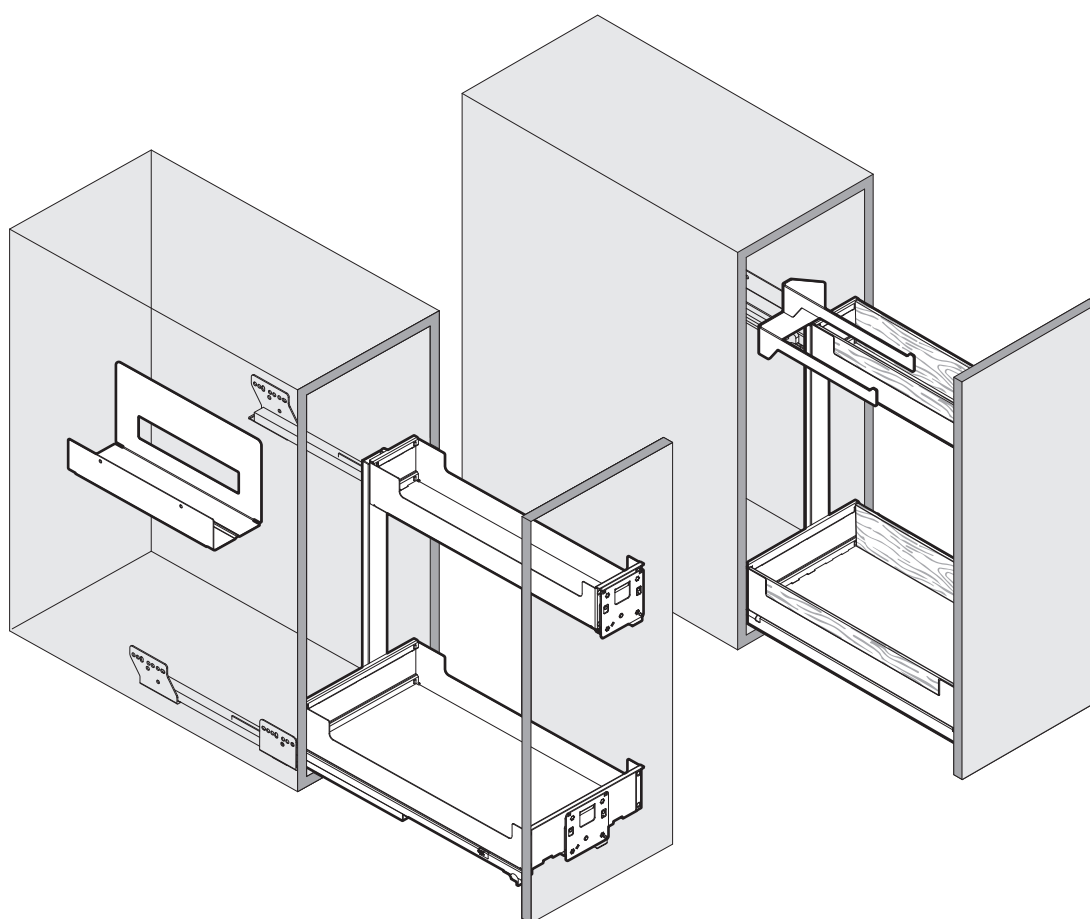


PINELLO TOWEL & BOARD

Unterschrankauszug als Frontauszug
Extension pour armoires basses comme système coulissant frontal
Base unit pull-out as front pull-out



4x 	2x 	1x 	1x Board 	1x Towel L/R 	1x
--------	--------	--------	---------------------	-------------------------	--------

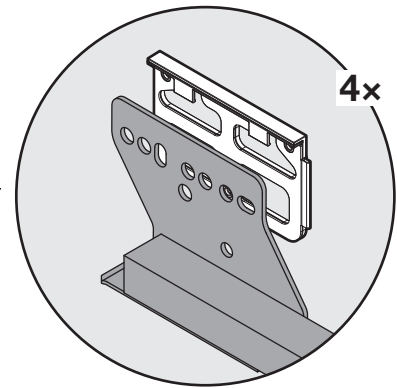
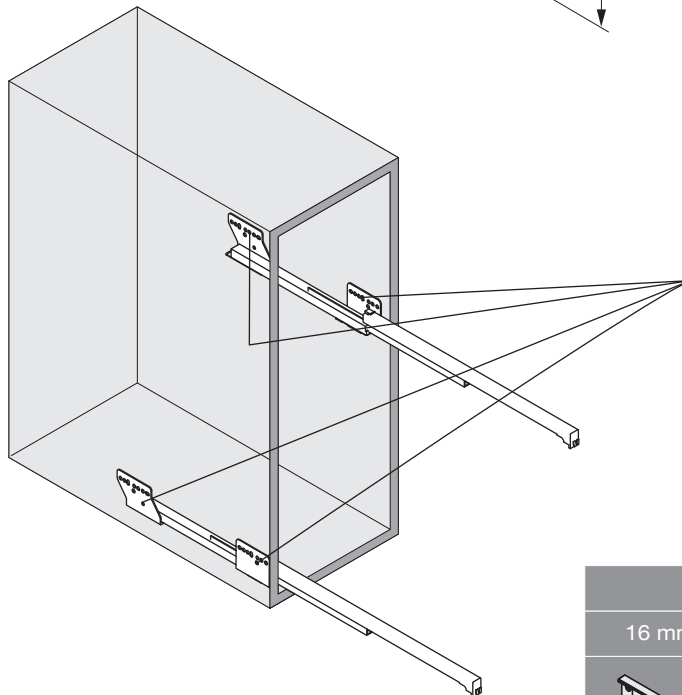
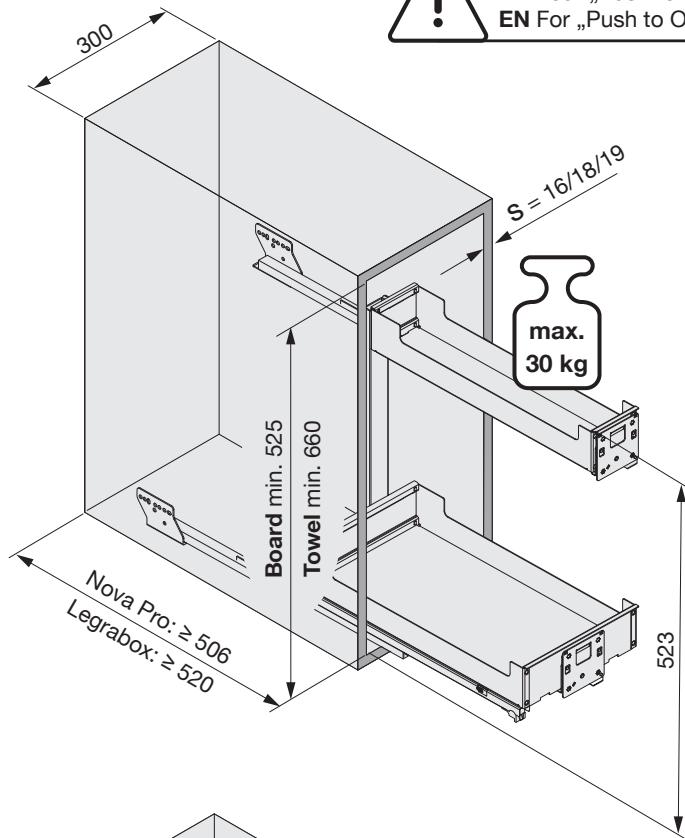
Option
2x
200.2539.xx




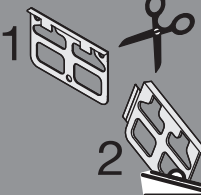



DE Führung Legrabox NL 500/Nova Pro NL 500 nicht im Lieferumfang enthalten.
FR Coulisse Legrabox NL 500/Nova Pro NL 500 non fournis.
EN Runner Legrabox NL 500/Nova Pro NL 500 not included.



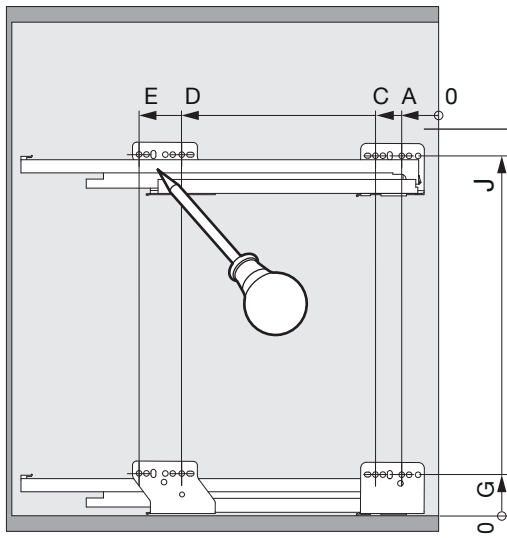
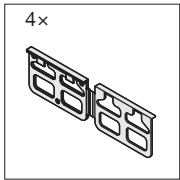
DE Bei „Push to Open“ siehe Anleitung 950.0817.MA / 950.0819.MA
FR Pour „Push to Open“ voir l'instruction 950.0817.MA / 950.0819.MA
EN For „Push to Open“ see instructions 950.0817.MA / 950.0819.MA



DE Die linke Version wird spiegelbildlich montiert.
FR La version gauche est montée de manière inversée.
EN The left version is mounted in reversed image.

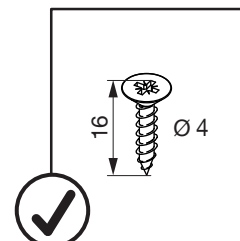
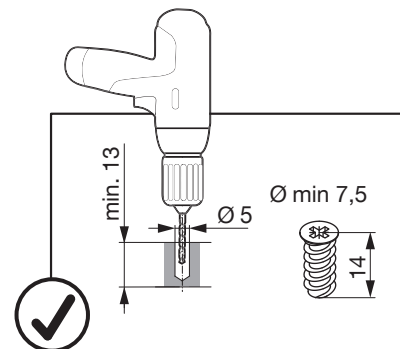
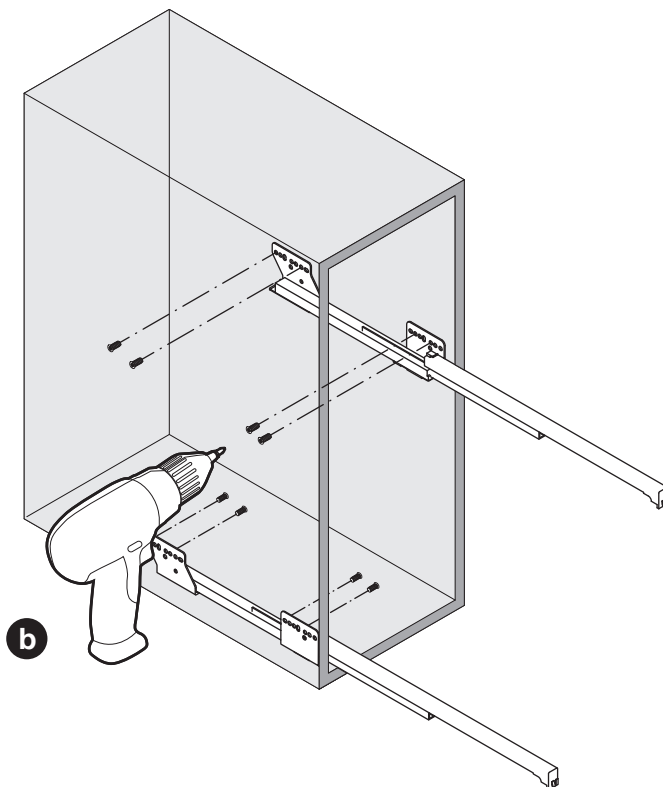
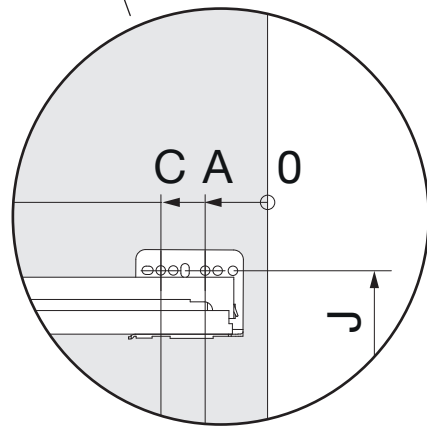
S		
16 mm	18 mm	19 mm
 1+2	 2	
		

1

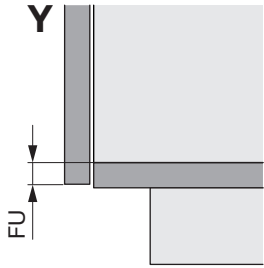
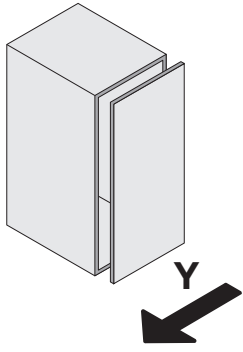
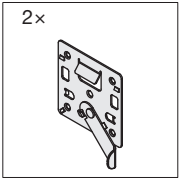


	Nova Pro NL 500	Legrabox NL 500
A	40	52.5
C	72	84.5
D	308	276.5
E	360	308.5
G	50	38
J	439	427

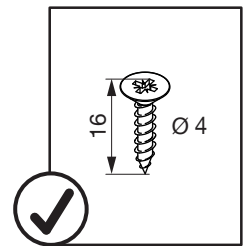
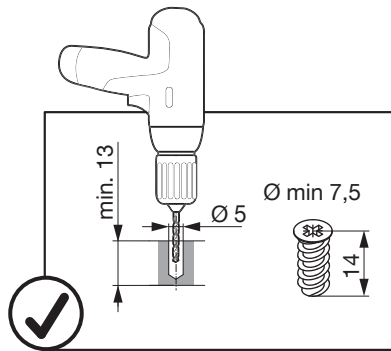
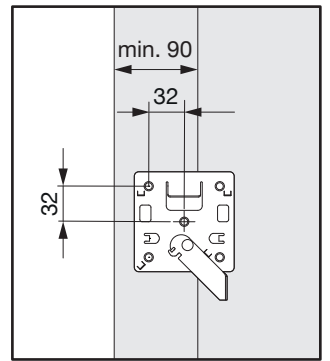
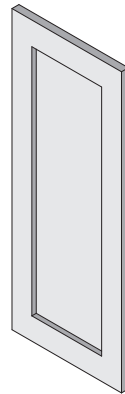
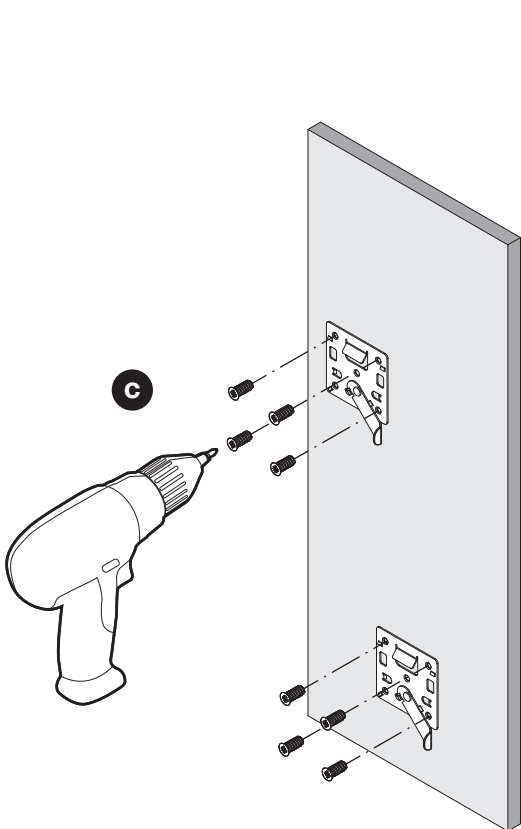
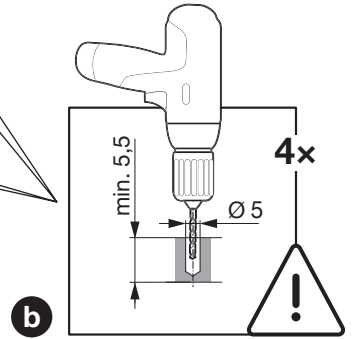
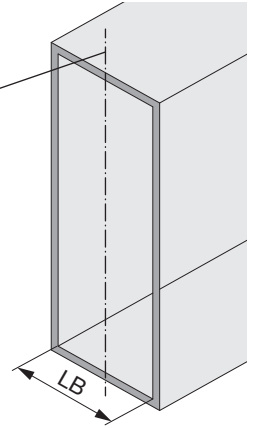
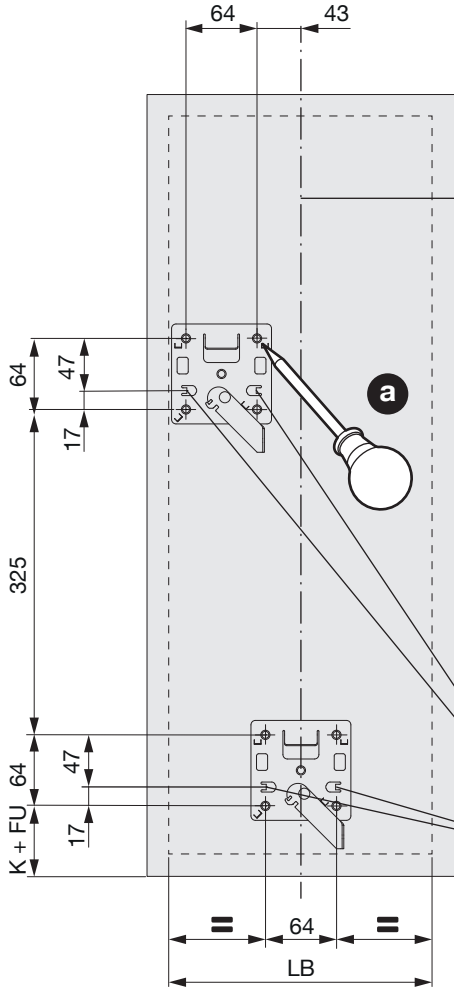
a



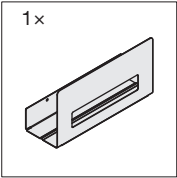
2



	Nova Pro NL 500	Legrabox NL 500
K	48	40

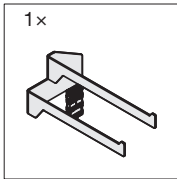


3



Pinello Board

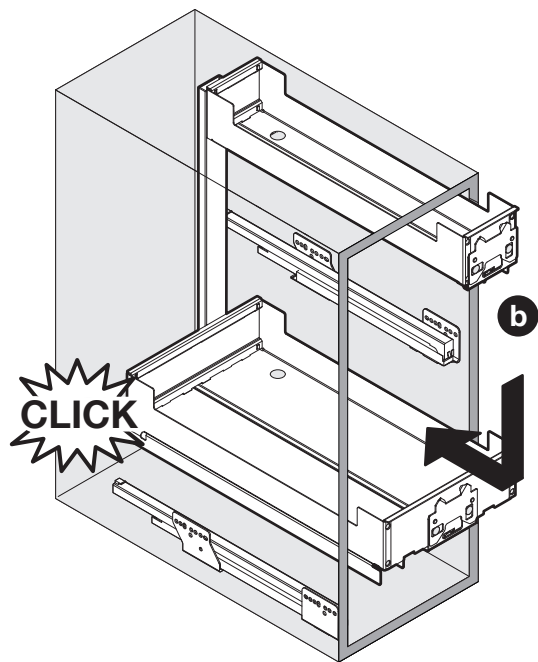
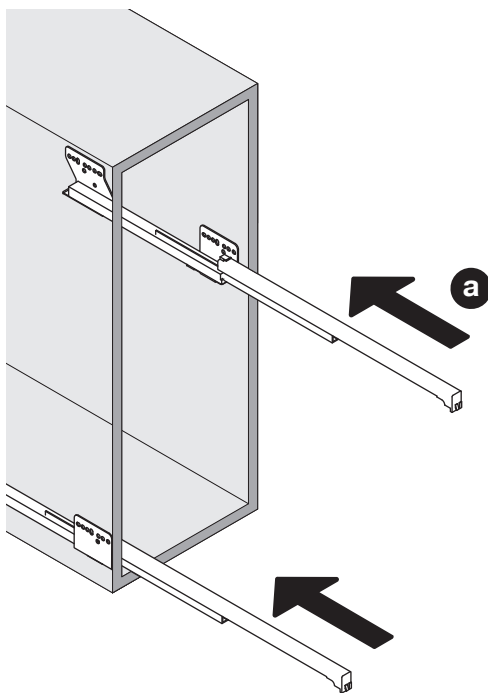
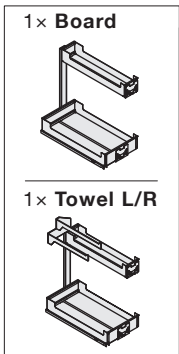
The diagram shows the installation of the Pinello Board into a cabinet. The board is 200 units wide and has a minimum height of 100 units. The distance between the top and bottom rails is 60 units. A screwdriver is shown driving a screw into the top rail. A callout shows a screw with a length of 16 and a diameter of $\varnothing 4,5$. Another callout shows a drill bit with a diameter of $\varnothing 5$ and a length of $\text{min. } 13$, and a screw with a diameter of $\varnothing 6,3$ and a length of 16. Both callouts include a checkmark icon.



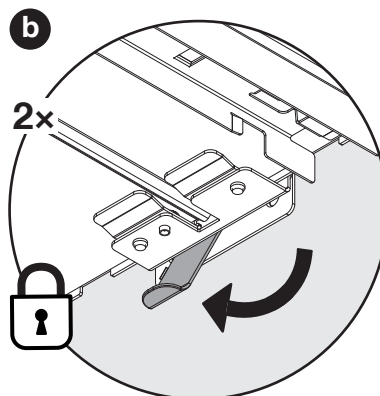
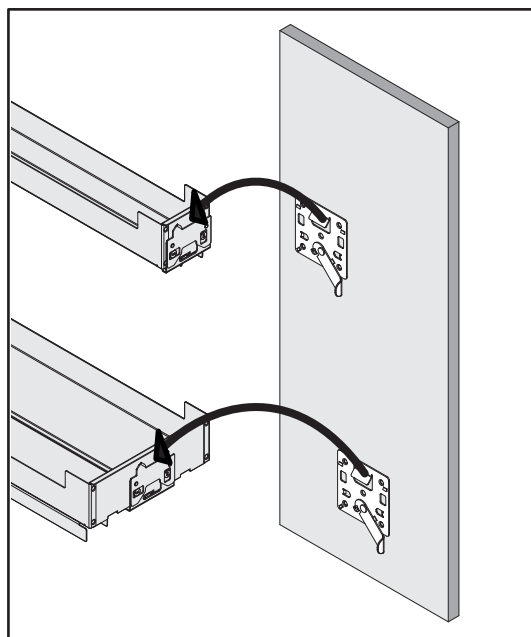
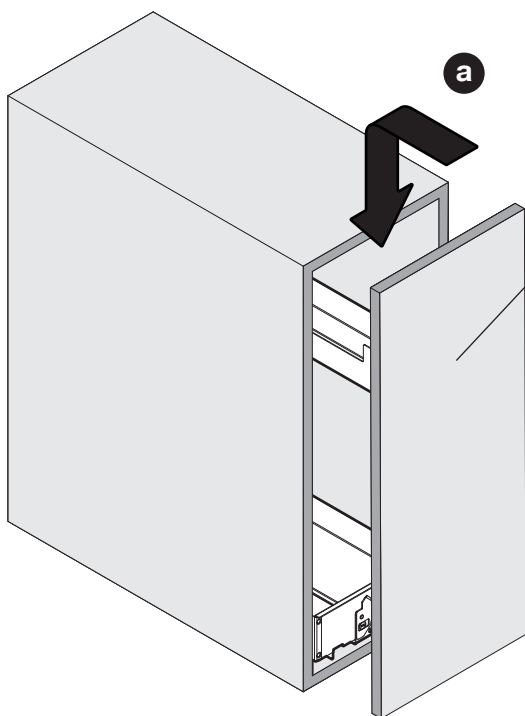
Pinello Towel

The diagram shows the installation of the Pinello Towel. The towel is being inserted into a rail. A downward arrow indicates the direction of insertion.

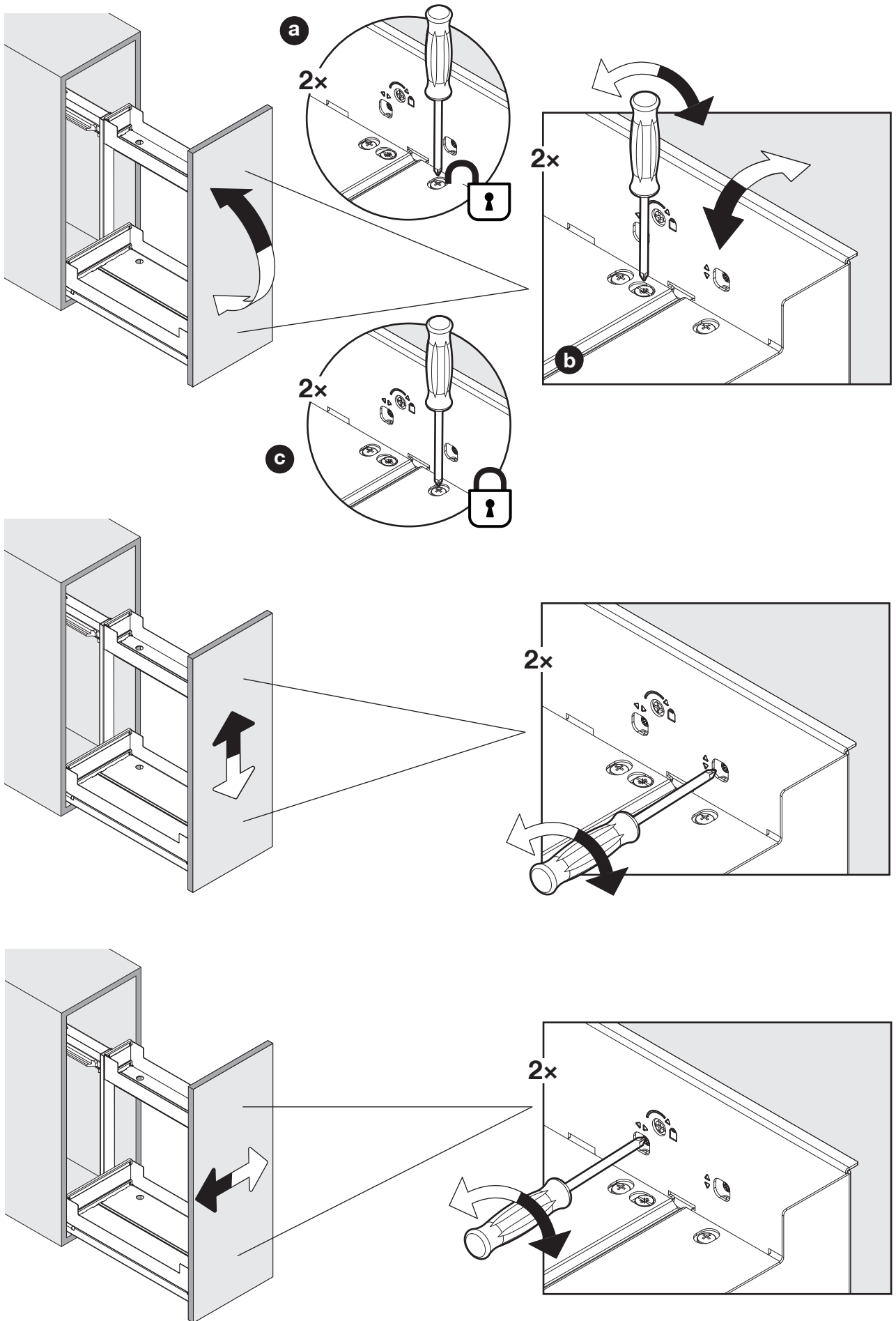
4



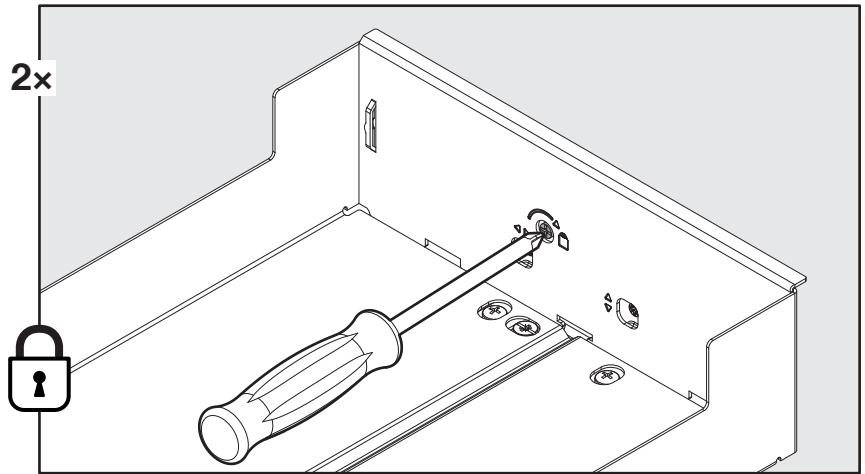
5



i



6



7

