

SMART STORAGE

Innovative fittings for furniture and kitchens –
The original since 1964

The company peka

Larder units **1**

Base units **2**

Waste processing **3**

Corner units **4**

Wall units **5**

Housekeeping **6**

Dressing **7**

Adjustable work surfaces **8**

Shelf system **9**

A scenic landscape featuring a range of snow-capped mountains in the background. In the middle ground, there is a calm lake reflecting the sky. The foreground shows a grassy field with some bare trees and a small body of water. The sky is filled with dramatic, grey clouds, with a bright light source breaking through near the top center.

Innovation
is part of our
tradition



A warm welcome to peka!

For us, your enjoyment of your home and of cooking is our chief concern. We are passionate about enhancing this with our practical, flawlessly made products that combine an attractive appearance with unparalleled quality.

Our success is based on a real team effort. Our staff are responsible for the ongoing development of the products and the company. Their curiosity and openness to new ideas as well as their desire to harness state-of-the-art technologies and the opportunities provided by digitalisation provide a driving force moving us forward.

However, we also see our customers and suppliers as part of our team and try to get our partners to view us in the same way. After all, if we make working with peka fun and offer an outstanding level of service to everyone involved throughout the customer journey, we can ensure that users can enjoy peka products to the full.

We have been pursuing this tried-and-tested path since 1964. Our father and grandfather instilled in us, the brother-and-sister team now running the company, the idea that only constant change and a continuous programme of prudent investment can guarantee the long-term success of our family business.

We hope that our products on the pages that follow will surprise and inspire you. Enjoy!

Best wishes from the Seetal!

Sandra Weber Blättler and Beni Weber



At the forefront of innovation

peka was set up in 1964 by Ernst Weber. His son Peter and Peter's wife Marlis joined the business at a young age, followed shortly afterwards by his son-in-law Osi Merz. The brother-and-sister team of Beni Weber and Sandra Weber Blättler has been with peka since 2006 and has headed up the company since January 2015. peka currently employs around 140 people in Mosen, on the shores of Lake Hallwil near Lucerne.

The company's development has been driven by innovation. We aim to come up with originals that work better than copies. More than 70 international patents stand testament to peka's ingenuity. Our unwavering dedication to producing inventive, space-saving solutions and our absolute refusal to compromise on quality and functionality have made us a global leader in our industry. Today, we are one of the top market providers of larder unit pull-outs, slide-out corner systems and ecologically designed waste sorting systems.

Since 1997, we have also had a subsidiary called peka Poland, a trading company that currently employs 30 people and also supplies small volumes to other countries in Europe.



Passionate about helping you enjoy your home

So what is the secret to our success? Probably the fact that we constantly strive to find smart solutions to everyday problems. That may sound simple, but it takes persistence and unwavering attention to detail. We put ourselves in our customers' shoes and seek out the little annoyances that niggle at you in day-to-day life – like the precarious pile of brooms, dusters and ironing equipment that always seems ready to collapse on top of you when you open your cleaning cupboard, or the wire baskets in your kitchen units, with their open bases that let small items fall through. Thanks to our steadfast commitment to finding out exactly what our customers want, our products are always designed to respond to real needs, so it is only natural that they stand out through their user-friendliness, unparalleled quality and space-saving design. Besides, peka's track record of innovation is backed up by numerous international patents.

SMART STORAGE. Innovative fittings for furniture and kitchens – The original since 1964



MOULDED FROM SHEET METAL

peka develops and manufactures a range of complex movement mechanisms for cabinets, which can be equipped with shelves, trays, pull-out systems and much more.

peka brings together the necessary know-how under one roof. Development and design as well as prototyping and toolmaking are core skills in our company. Every step of the manufacturing process also takes place on our premises. From strip steel to the packaged, ready-to-send product, we use highly efficient machines to shape a wide variety of material grades and dimensions and assemble them into the relevant products.

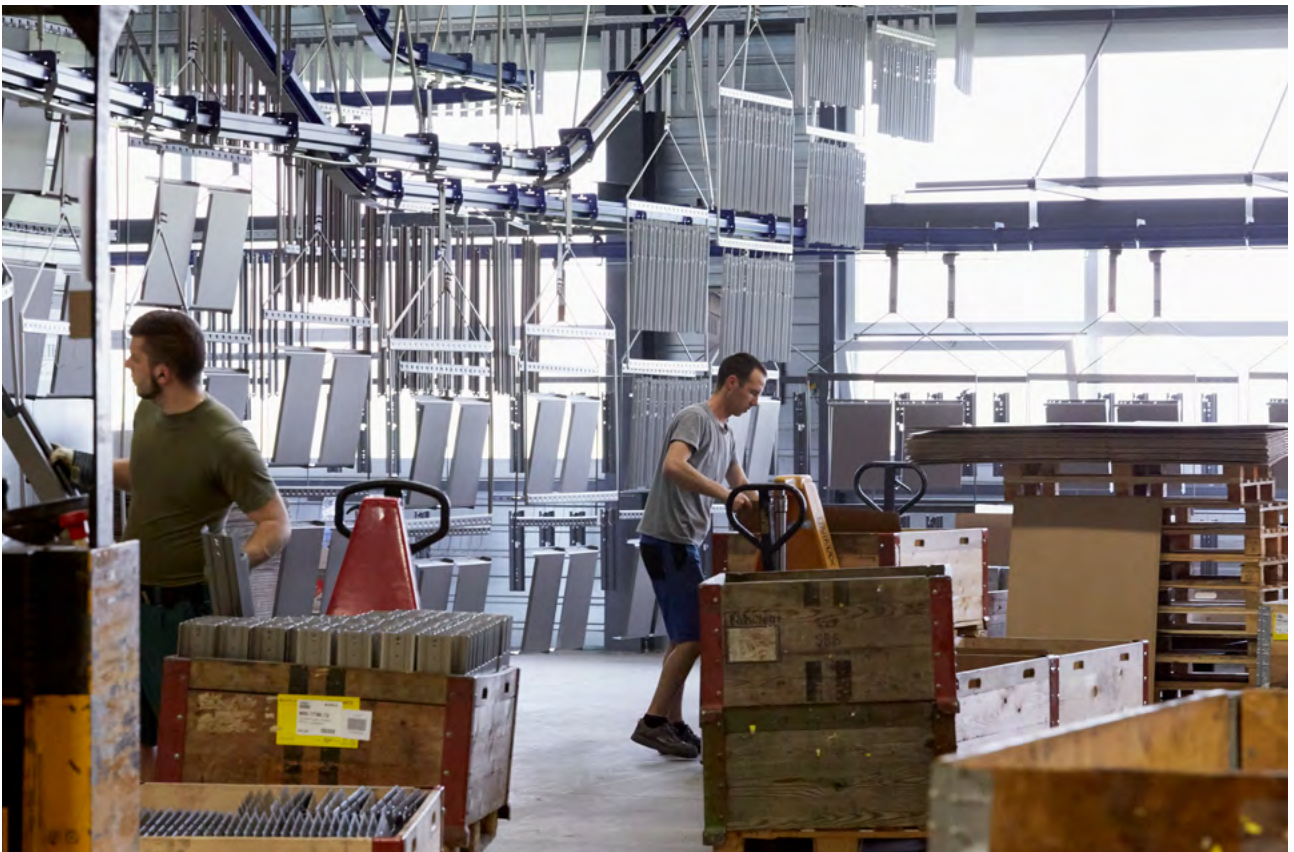
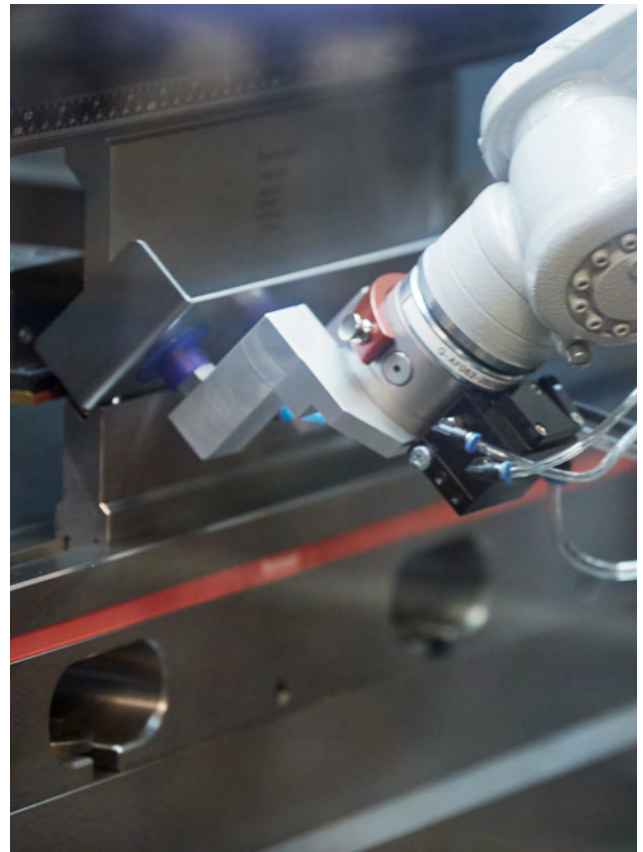
We place a special emphasis on high quality. All our products are designed and tested to ensure a long service life. The shelves are made of top-quality coated sheet steel, folded with millimetre precision: every angle is exactly right. This material, so typical of peka products, allows designs with very thin walls but no compromise on stability. The shelves are easy to clean thanks to their even surface, and they can be recycled as a single material at the end of their life.

A LEADERSHIP POSITION BACKED BY THE LATEST INFRASTRUCTURE

It takes state-of-the-art infrastructure to be a market leader. Our manufacturing equipment comprises progressive presses with and without servo drive, CD and laser welding machines, the latest press brakes and an extremely efficient powder coating facility. Wherever possible, handling and robot systems are used to support our manufacturing process.

Our infrastructure is just one of the factors in our success; our highly skilled, customer-oriented workers are the other. With our years of experience in sheet-metal working, particularly sliding systems and fittings, peka is a partner you can rely on.

We work with our customers on custom-made product batches throughout the process, from engineering to assembly.





SUSTAINABILITY AND ENVIRONMENTAL MANAGEMENT

Longevity and sustainability are absolutely central to the development of peka products.

We understand that the longer our products can be used, the less harm they do to the environment. That is why we use only high-quality and durable materials manufactured using the latest, environmentally friendly processes, and guaranteeing a long service life for our products.

FSC-certified packaging

peka is committed to sustainable forest management and only buys boxes made of FSC-certified raw materials.

Environmentally friendly energy

peka only buys electricity generated from Swiss hydro-power. And thanks to the photovoltaic system on top of our production halls, we even produce electricity ourselves. This allows us to meet around 30% of our electricity needs.

Systematically cutting CO₂ since 2014

When purchasing production equipment, we pay close attention to energy consumption. peka has been part of a CO₂ reduction programme since 2014, aimed at analysing and systematically reducing sources of CO₂.

Recycling

peka has been consistently separating its own recyclables for years: 16 different recyclable materials are collected, sorted and put back into circulation. The majority of peka products are made of sheet steel, making them easy to recycle after a long life.

Environmentally friendly building

The production hall built in 2020 is a wooden structure with a timber façade, whose materials have an extremely positive impact in terms of both climate and energy. The rainwater retention basin has been designed as a natural habitat.





QUALITY IS IMPORTANT TO US

LGA Quality Certificate

We work closely with external testing institutes to determine every last step that must be taken to guarantee an excellent product – from assembly to use and possible manipulations.

Our stress tests entail using appropriate equipment to perform extensive movement and load tests in a continuous cycle – all to ensure stress-free enjoyment of our finished products.

ISO 9001

We have complied with international EN ISO 9001 quality assurance guidelines for development, production and administration since 1994.

International design awards

peka products have picked up multiple awards from leading design and furniture judging panels. These 'seals of approval' are further proof of our products' top-quality design and outstanding user-friendliness.



reddot winner 2022





Design lines



FIORO DESIGN LINE

Nowadays, kitchens open onto living areas, creating a shared space for cooking, living and relaxing. So it is only natural for you to pay more attention to the materials and surfaces you use in your kitchen. And it is only natural to want outstanding design on the inside of your units too.

We have partnered Fiore shelves with oak rails that blend seamlessly with wooden front panels and warm colours. These attractive interior fittings can also be combined with glass, compact laminates, aluminium, or any other material of your choosing. Let your creativity flow!

- Shelf and mechanism: ●
- Rail inserts: ●
- Non-slip mats: ●
- Magnetic dividers: ●





LIRO DESIGN LINE

Liro shelves fit with the customer's style as they can be combined with rails for a tailor-made look. Users can choose to pair the shelves with rails made of solid oak, which are the perfect complement to wooden front panels and warm colours, or, alternatively, they can opt for glass, compact laminates, aluminium or another material. Without rails, Liro shelves ooze calm sophistication. Combined with inserted rails, they create an eye-catching effect as the unit door is opened.

The shelves have an easy-wipe surface, while the flat, closed shelf base prevents small items, as well as other products kept there, from toppling over. Liro shelves can also be visually and functionally enhanced with

hard-wearing, discreet silicone mats. These mats have sound-absorbing properties and, unlike non-slip surfaces, are easy to clean.

Liro is defined by its clean lines and uncomplicated shape, yet the details of the new design reveal peka's exceptional expertise in metal processing.

- Shelf and mechanism:**
- Rail inserts:**
- Non-slip mats:**
- Magnetic dividers:**





LIBELL DESIGN LINE

The Libell design line exudes a sleek elegance, blending seamlessly into any furniture style, whether in the kitchen, living room or wardrobe. With Libell metal shelves, peka provides an attractive alternative to clip-on shelves/baskets.

Libell clip-on elements are fashioned from a single piece of sheet steel and form a harmonious whole with the fitting. The rounded design makes use of every last inch of space through to the very outermost edge, while the open corners ensure that cleaning the shelves is a piece of cake.

Shelf and mechanism:	<input type="radio"/>	<input type="radio"/>	<input type="radio"/>
Non-slip mats:	<input type="radio"/>	<input type="radio"/>	<input type="radio"/>
Magnetic dividers:	<input type="radio"/>	<input type="radio"/>	<input type="radio"/>





Larder units

Larder units – a storage wonder! Whether they slide out or swing out, larder unit pull-outs offer an unbeatable overview of grocery items or tableware with just one simple movement. No more hunting through drawers to find what you need!

PRODUCT OVERVIEW



Pleno Maxi

Larder unit offering excellent use of space, easy access and a great overview for units with hinged doors – available in two versions with different shelf divisions.



Pleno Plus

User-friendly larder pull-out for units with hinged doors, offering an unbeatable overview and excellent accessibility



Pleno Standard

Practical larder pull-out for units with hinged doors



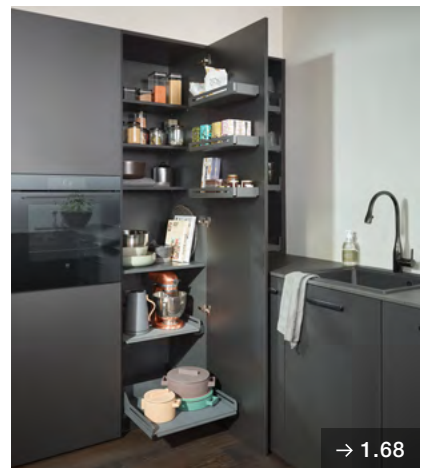
Hochschrank Standard

Compact larder unit with front pull-out for narrow spaces



Extendo for units without doors

Flexible pull-out shelf for use in open units, behind sliding doors or doors with zero protrusion hinges



Trio

Shelving for added convenience in larder units with hinged doors



Extendo for units with hinged doors

Flexible pull-out shelf for use behind doors with standard hinges



Hochschrank Box

Basic pull-out for custom units made of wood



Larder pull-out

Pleno Maxi

When the door is opened, the entire contents slide out of the unit automatically and the items are clearly displayed.

Pleno Maxi impresses with its extra-large shelves and optimal use of unit space in all three dimensions. It is ideal for centralised food storage or as a cupboard for tableware. A double unit with two Pleno Maxis (fitted side by side with no partition) brings the pantry into the kitchen.

When the door is gently opened, all the shelves glide out together so that all the unit's contents are displayed. In the deluxe Plus version, the upper storage area is split between the door and the inside of the cabinet, so even items right at the back of the unit can be reached easily. Its kinematic runner design means that this larder unit is incredibly easy to open, even when full. The built-in Softopen mechanism provides added convenience.

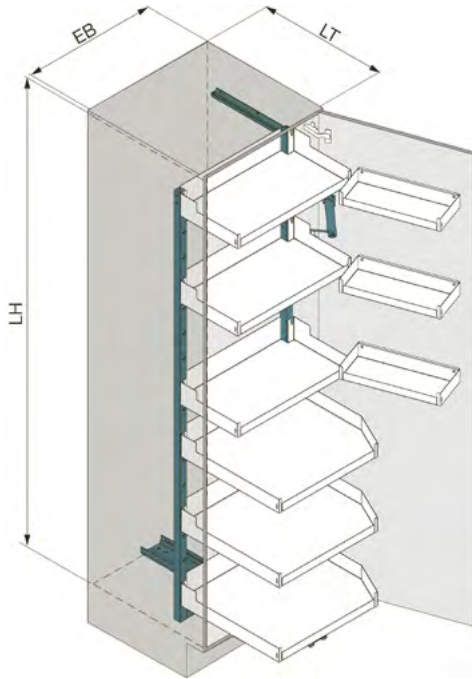


FEATURES AND BENEFITS

- + On opening the door, you have a full overview and immediate access to the contents
- + Can be used as a double unit without a partition for centralised food and tableware storage
- + Optimal use of space in all three dimensions
- + Slide-out shelves and a split shelf depth in the top make it easy to reach everything, even in the furthest corners (Plus version)
- + Optional accessories allowing customised use of shelf space



TECHNICAL DATA



Design line	Liro
Handle-free fronts	optional
Barrier-free	yes
Integrated Softclose	no
Integrated Softopen	yes
Type	1300/1600/1900
Unit width min. (EB)	450/600 mm
Model	right/left
Colour	white/silver/anthracite
Load capacity	0-78 kg
Interior width min. (LB)	404/554 mm
Interior depth min. (LT)	500 mm
Interior height min. (LH)	1150/1450/1800 mm

TECHNICAL CHARACTERISTICS

- ▶ Shelves can be height-adjusted without using tools (except for door shelves in the Plus version)
- ▶ Push-to-open mechanism available as an option for handle-free fronts
- ▶ Maintenance-free technology
- ▶ Mounted on one side wall and base, making it suitable for all unit heights, widths and depths
- ▶ Quick and easy to install
- ▶ Suitable for standard hinges with an opening angle of 110°

*PLENO MAXI
VERSION PLUS*

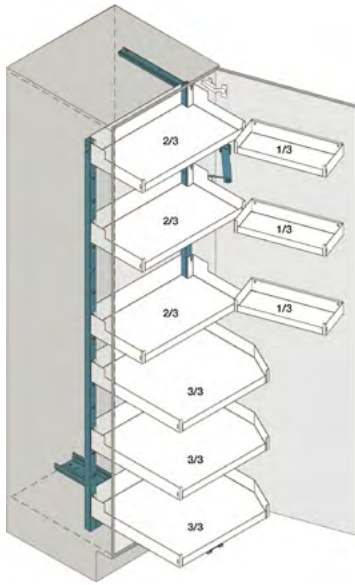


Illustration: right (type 1900)

*PLENO MAXI
VERSION STANDARD*

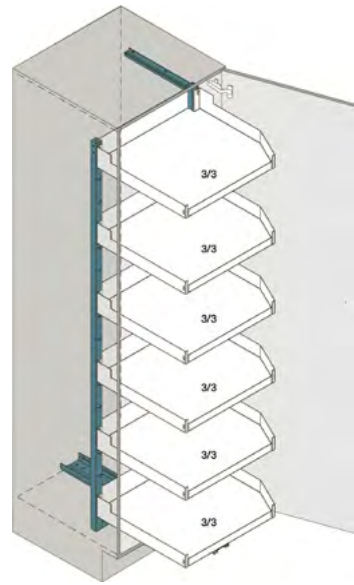
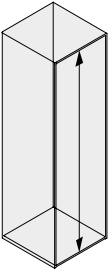
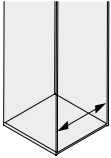
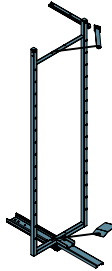
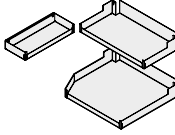
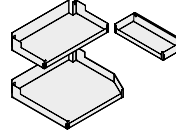
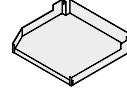
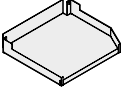


Illustration: right (type 1900)

PURCHASE ORDER MATRIX

Type	EB	Mechanism	Version Plus		Version Standard	
			Clip-on shelf set		Clip-on shelf set	
			left	right	left	right
						
1300	450	1 x 100.1214.xx	-	-	4 x 100.1220.xx	4 x 100.1221.xx
1300	600	1 x 100.1215.xx	2 x 100.1228.xx 2 x 100.1224.xx	2 x 100.1228.xx 2 x 100.1225.xx	4 x 100.1224.xx	4 x 100.1225.xx
1600	450	1 x 100.1216.xx	-	-	5 x 100.1220.xx	5 x 100.1221.xx
1600	600	1 x 100.1217.xx	2 x 100.1228.xx 3 x 100.1224.xx	2 x 100.1228.xx 3 x 100.1225.xx	5 x 100.1224.xx	5 x 100.1225.xx
1900	450	1 x 100.1218.xx	-	-	1 x 100.1222.xx	1 x 100.1223.xx
1900	600	1 x 100.1219.xx	1 x 100.1229.xx	1 x 100.1230.xx	1 x 100.1226.xx	1 x 100.1227.xx



Mechanism Pleno Maxi

The mechanism supports the clip-on shelves and conveys them out of the unit.

- Can be opened and closed with minimal effort – even when full – thanks to the kinematic design
- Built-in Softopen mechanism ensures that the unit can be opened smoothly and silently
- Universal mechanism that can be fitted on the left or right, and in both Standard and Plus versions
- Mechanism concealed behind hinges

Includes
1 slide incl. door fitting
1 tubular frame

Technical data
Compatible with: Pleno Maxi
Integrated Softclose: no
Integrated Softopen: yes
Assembly with ClickFixx: no
Load capacity: 0-78 kg
Opening angle: 110 °
Material: powder-coated sheet steel

Art. No.	Type	Unit width min. (EB)	Colour	Interior width min. (LB)	Interior depth min. (LT)	Interior height min. (LH)	Width (B)	Depth (T)	Height (H)
		mm		mm	mm	mm	mm	mm	mm
100.1214.01	1300	450	white	404	500	1150	404	500	1141
100.1214.12	1300	450	silver	404	500	1150	404	500	1141
100.1214.43	1300	450	anthracite	404	500	1150	404	500	1141
100.1216.01	1600	450	white	404	500	1450	404	500	1444
100.1216.12	1600	450	silver	404	500	1450	404	500	1444
100.1216.43	1600	450	anthracite	404	500	1450	404	500	1444
100.1218.01	1900	450	white	404	500	1800	404	500	1759
100.1218.12	1900	450	silver	404	500	1800	404	500	1759
100.1218.43	1900	450	anthracite	404	500	1800	404	500	1759
100.1215.01	1300	600	white	554	500	1150	554	500	1141
100.1215.12	1300	600	silver	554	500	1150	554	500	1141
100.1215.43	1300	600	anthracite	554	500	1150	554	500	1141
100.1217.01	1600	600	white	554	500	1450	554	500	1444
100.1217.12	1600	600	silver	554	500	1450	554	500	1444
100.1217.43	1600	600	anthracite	554	500	1450	554	500	1444
100.1219.01	1900	600	white	554	500	1800	554	500	1759
100.1219.12	1900	600	silver	554	500	1800	554	500	1759
100.1219.43	1900	600	anthracite	554	500	1800	554	500	1759



Push-to-open

Push on the front panel and it will open just enough to allow a comfortable grip.

- Opens handleless fronts just enough to allow a comfortable grip (min. 40 mm)
- Easy to operate by applying gentle pressure
- Can be retrofitted
- optional

Includes
1 Push-to-open

Technical data
Compatible with: FREEflap Mini, FREEflap Forte, FREEfold, FREEswing, FREEslide, Pleno Maxi, Pleno Plus, Pleno Standard
Material: plastic

Art. No.	Type	Colour	Width (B)	Depth (T)	Height (H)
			mm	mm	mm
500.0300.18	1 green	grey	9.9	90	9.9



Clip-on shelf set 1900-600 Liro Pleno Maxi, Plus version right

Thin-walled but extremely sturdy metal shelves that can be combined with wooden rail inserts.

- Spacious, thin-walled yet extremely sturdy metal shelves
- The three shelf dimensions mean that the unit can store everything from small items to large pots
- Also available with wooden rail inserts for extra versatility
- Removable non-slip silicone mats available as an option

Includes

3 door shelves 1/3
3 clip-on shelves 2/3
3 clip-on shelves 3/3

Technical data

Compatible with: Pleno Maxi
Design line: Liro
Load capacity per shelf: 0-3/0-13/0-13 kg
Material: powder-coated sheet steel

Art. No.	Type	Unit width min. (EB)	Model	Colour	Set of	Width (B)	Depth (T)	Height (H)
		mm				mm	mm	mm
100.1230.01	1900	600	right	white	3x3	388/515/515	161/290/475	55/55/90
100.1230.12	1900	600	right	silver	3x3	388/515/515	161/290/475	55/55/90
100.1230.43	1900	600	right	anthracite	3x3	388/515/515	161/290/475	55/55/90



Clip-on shelf set 1900-600 Liro Pleno Maxi, Plus version left

Thin-walled but extremely sturdy metal shelves that can be combined with wooden rail inserts.

- Spacious, thin-walled yet extremely sturdy metal shelves
- The three shelf dimensions mean that the unit can store everything from small items to large pots
- Also available with wooden rail inserts for extra versatility
- Removable non-slip silicone mats available as an option

Includes

3 door shelves 1/3
3 clip-on shelves 2/3
3 clip-on shelves 3/3

Technical data

Compatible with: Pleno Maxi
Design line: Liro
Load capacity per shelf: 0-3/0-13/0-13 kg
Material: powder-coated sheet steel

Art. No.	Type	Unit width min. (EB)	Model	Colour	Set of	Width (B)	Depth (T)	Height (H)
		mm				mm	mm	mm
100.1229.01	1900	600	left	white	3x3	388/515/515	161/290/475	55/55/90
100.1229.12	1900	600	left	silver	3x3	388/515/515	161/290/475	55/55/90
100.1229.43	1900	600	left	anthracite	3x3	388/515/515	161/290/475	55/55/90



Railing insert set 1900-600 Pleno Maxi, Plus version

Insert the rail into the slot provided in the Liro shelf

- Solid oak rail inserts
- Optional addition to Liro shelves as a style variation
- Goes well with wooden unit fronts and warm colours
- Can be retrofitted without any need for tools

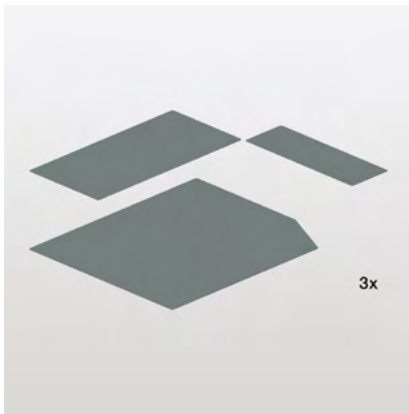
Includes

3 rail inserts door shelf 1/3
 3 rail inserts clip-on shelf 2/3
 3 rail inserts clip-on shelf 3/3

Technical data

Compatible with: clip-on shelf set Liro
 Design line: Liro
 Assembly with ClickFixx: yes
 Material: wood

Art. No.	Type	Unit width min. (EB)	Colour	Width (B)	Depth (T)	Height (H)
	mm	mm		mm	mm	mm
100.1256.36	1900	600	natural oak	384/511/442	6	52
100.1256.66	1900	600	stained oak	384/511/442	6	52



Non-slip mat set 1900-600 Pleno Maxi, Plus version

Lay the non-slip mat on the shelf to stabilise the stored items. To clean the mat, remove it from the shelf and rinse it under running water.

- Pleasant feel with a finely textured surface
- Reduces noise when items are stowed
- Can be fitted on right or left
- optional

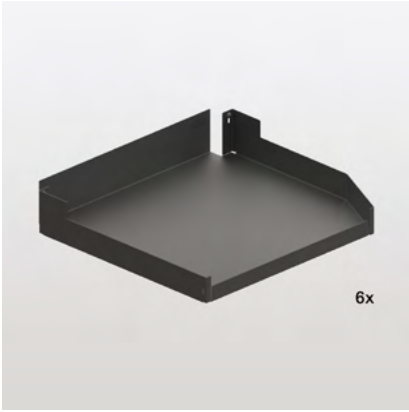
Includes

2 non-slip mats door shelf 1/3
 2 non-slip mats clip-on shelf 2/3
 2 non-slip mats clip-on shelf 3/3

Technical data

Compatible with: clip-on shelf set Liro
 Material: silicone

Art. No.	Type	Unit width min. (EB)	Colour	Width (B)	Depth (T)	Height (H)
		mm		mm	mm	mm
100.1212.57	1900	600	oyster white	370/496/496	125/240/425	1
100.1212.56	1900	600	walnut grey	370/496/496	125/240/425	1



Clip-on shelf set 1900 Liro Pleno Maxi, Standard version right

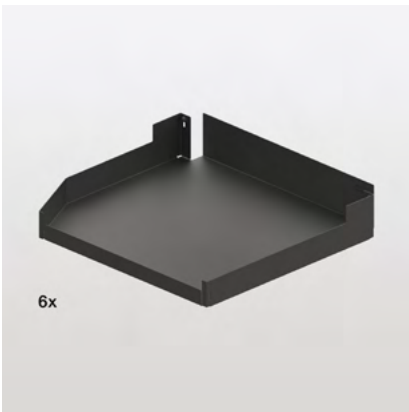
Thin-walled but extremely sturdy metal shelves that can be combined with wooden rail inserts.

- Spacious, thin-walled yet extremely sturdy metal shelves
- Also available with wooden rail inserts for extra versatility
- Shelves can be easily removed for cleaning and clipped back in place
- Removable non-slip silicone mats available as an option

Includes
6 clip-on shelves 3/3

Technical data
Compatible with: Pleno Maxi
Design line: Liro
Load capacity per shelf: 0-13 kg
Material: powder-coated sheet steel

Art. No.	Type	Unit width min. (EB)	Model	Colour	Set of	Width (B)	Depth (T)	Height (H)
		mm						
100.1223.01	1900	450	right	white	6	365	475	55/90
100.1223.12	1900	450	right	silver	6	365	475	55/90
100.1223.43	1900	450	right	anthracite	6	365	475	55/90
100.1227.01	1900	600	right	white	6	515	475	55/90
100.1227.12	1900	600	right	silver	6	515	475	55/90
100.1227.43	1900	600	right	anthracite	6	515	475	55/90



Clip-on shelf set 1900 Liro Pleno Maxi, Standard version left

Thin-walled but extremely sturdy metal shelves that can be combined with wooden rail inserts.

- Spacious, thin-walled yet extremely sturdy metal shelves
- Also available with wooden rail inserts for extra versatility
- Shelves can be easily removed for cleaning and clipped back in place
- Removable non-slip silicone mats available as an option

Includes
6 clip-on shelves 3/3

Technical data
Compatible with: Pleno Maxi
Design line: Liro
Load capacity per shelf: 0-13 kg
Material: powder-coated sheet steel

Art. No.	Type	Unit width min. (EB)	Model	Colour	Set of	Width (B)	Depth (T)	Height (H)
		mm						
100.1222.01	1900	450	left	white	6	365	475	55/90
100.1222.12	1900	450	left	silver	6	365	475	55/90
100.1222.43	1900	450	left	anthracite	6	365	475	55/90
100.1226.01	1900	600	left	white	6	515	475	55/90
100.1226.12	1900	600	left	silver	6	515	475	55/90
100.1226.43	1900	600	left	anthracite	6	515	475	55/90



Railing insert set 1900 Pleno Maxi, Standard version

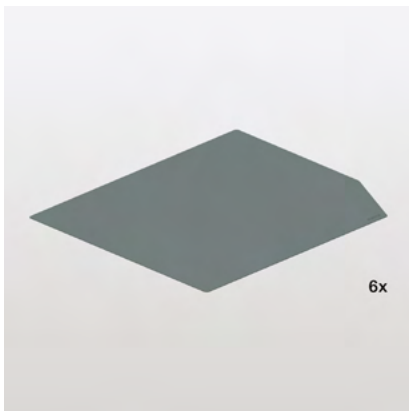
Insert the rail into the slot provided in the Liro shelf

- Solid oak rail inserts
- Optional addition to Liro shelves as a style variation
- Goes well with wooden unit fronts and warm colours
- Can be retrofitted without any need for tools

Includes
6 rail inserts clip-on shelf 3/3

Technical data
Compatible with: clip-on shelf set Liro
Design line: Liro
Assembly with ClickFixx: yes
Material: wood

Art. No.	Type	Unit width min. (EB)	Colour	Width (B)	Depth (T)	Height (H)
	mm	mm		mm	mm	mm
100.1200.36	1900	450	natural oak	292	6	52
100.1200.66	1900	450	stained oak	292	6	52
100.1202.36	1900	600	natural oak	442	6	52
100.1202.66	1900	600	stained oak	442	6	52



Non-slip mat set 1900 Pleno Maxi, Standard version

Lay the non-slip mat on the shelf to stabilise the stored items. To clean the mat, remove it from the shelf and rinse it under running water.

- Pleasant feel with a finely textured surface
- Reduces noise when items are stowed
- Can be fitted on right or left
- optional

Includes
6 non-slip mats clip-on shelf 3/3

Technical data
Compatible with: clip-on shelf set Liro
Material: silicone

Art. No.	Type	Unit width min. (EB)	Colour	Width (B)	Depth (T)	Height (H)
		mm		mm	mm	mm
100.1209.57	1900	450	oyster white	346	425	1
100.1209.56	1900	450	walnut grey	346	425	1
100.1210.57	1900	600	oyster white	496	425	1
100.1210.56	1900	600	walnut grey	496	425	1



Clip-on shelf Liro Pleno Maxi, Plus version

Thin-walled but extremely sturdy metal shelves that can be combined with wooden rail inserts.

- Spacious, thin-walled yet extremely sturdy metal shelf
- Also available with wooden rail inserts for extra versatility
- Removable non-slip silicone mats available as an option
- Universal shelf that can be fitted on the left or right

Includes
1 door shelf 1/3
1 clip-on shelf 2/3

Technical data
Compatible with: Pleno Maxi
Design line: Liro
Load capacity per shelf: 0-3/0-13 kg
Material: powder-coated sheet steel

Art. No.	Unit width min. (EB)	Colour	Width (B)	Depth (T)	Height (H)
	mm		mm	mm	mm
100.1228.01	600	white	388/515	161/290	55/55/90
100.1228.12	600	silver	388/515	161/290	55/55/90
100.1228.43	600	anthracite	388/515	161/290	55/55/90



Railing insert Pleno Maxi, Plus version

Insert the rail into the slot provided in the Liro shelf

- Solid oak rail inserts
- Optional addition to Liro shelves as a style variation
- Goes well with wooden unit fronts and warm colours
- Can be retrofitted without any need for tools

Includes
1 rail insert door shelf 1/3
1 rail insert clip-on shelf 2/3

Technical data
Compatible with: clip-on shelf Liro
Design line: Liro
Assembly with ClickFixx: yes
Material: wood

Art. No.	Unit width min. (EB)	Colour	Width (B)	Depth (T)	Height (H)
	mm		mm	mm	mm
100.1255.36	600	natural oak	384/511	6	52
100.1255.66	600	stained oak	384/511	6	52



Non-slip mat Pleno Maxi, Plus version

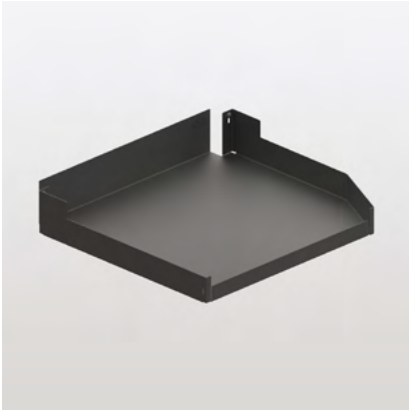
Lay the non-slip mat on the shelf to stabilise the stored items. To clean the mat, remove it from the shelf and rinse it under running water.

- Pleasant feel with a finely textured surface
- Reduces noise when items are stowed
- Can be fitted on right or left
- optional

Includes
1 non-slip mat door shelf 1/3
1 non-slip mat clip-on shelf 2/3

Technical data
Compatible with: clip-on shelf Liro
Material: silicone

Art. No.	Unit width min. (EB)	Colour	Width (B)	Depth (T)	Height (H)
	mm		mm	mm	mm
100.1211.57	600	oyster white	370/496	125/240	1
100.1211.56	600	walnut grey	370/496	125/240	1



Clip-on shelf Liro Pleno Maxi, Standard/Plus version right

Thin-walled but extremely sturdy metal shelves that can be combined with wooden rail inserts.

- Spacious, thin-walled yet extremely sturdy metal shelf
- Also available with wooden rail inserts for extra versatility
- Removable non-slip silicone mats available as an option
- Extra shelves can be retrofitted at any time without tools

Includes
1 clip-on shelf 3/3

Technical data
Compatible with: Pleno Maxi
Design line: Liro
Load capacity per shelf: 0-13 kg
Material: powder-coated sheet steel

Art. No.	Unit width min. (EB)	Model	Colour	Set of	Width (B)	Depth (T)	Height (H)
	mm			pcs	mm	mm	mm
100.1221.01	450	right	white	1	365	475	55/90
100.1221.12	450	right	silver	1	365	475	55/90
100.1221.43	450	right	anthracite	1	365	475	55/90
100.1225.01	600	right	white	1	515	475	55/90
100.1225.12	600	right	silver	1	515	475	55/90
100.1225.43	600	right	anthracite	1	515	475	55/90



Clip-on shelf Liro Pleno Maxi, Standard/Plus version left

Thin-walled but extremely sturdy metal shelves that can be combined with wooden rail inserts.

- Spacious, thin-walled yet extremely sturdy metal shelf
- Also available with wooden rail inserts for extra versatility
- Removable non-slip silicone mats available as an option
- Extra shelves can be retrofitted at any time without tools

Includes
1 clip-on shelf 3/3

Technical data
Compatible with: Pleno Maxi
Design line: Liro
Load capacity per shelf: 0-13 kg
Material: powder-coated sheet steel

Art. No.	Unit width min. (EB)	Model	Colour	Set of	Width (B)	Depth (T)	Height (H)
	mm			pcs	mm	mm	mm
100.1220.01	450	left	white	1	365	475	55/90
100.1220.12	450	left	silver	1	365	475	55/90
100.1220.43	450	left	anthracite	1	365	475	55/90
100.1224.01	600	left	white	1	515	475	55/90
100.1224.12	600	left	silver	1	515	475	55/90
100.1224.43	600	left	anthracite	1	515	475	55/90



Railing insert Pleno Maxi, Standard/Plus version

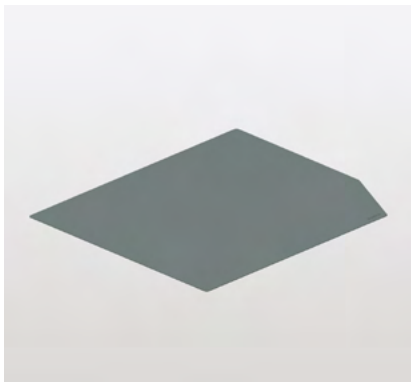
Insert the rail into the slot provided in the Liro shelf

- Solid oak rail inserts
- Optional addition to Liro shelves as a style variation
- Goes well with wooden unit fronts and warm colours
- Can be retrofitted without any need for tools

Includes
1 rail insert clip-on shelf 3/3

Technical data
Compatible with: clip-on shelf Liro
Design line: Liro
Assembly with ClickFixx: yes
Material: wood

Art. No.	Unit width min. (EB)	Colour	Width (B)	Depth (T)	Height (H)
	mm		mm	mm	mm
100.1199.36	450	natural oak	292	6	52
100.1199.66	450	stained oak	292	6	52
100.1201.36	600	natural oak	442	6	52
100.1201.66	600	stained oak	442	6	52



Non-slip mat Pleno Maxi, Standard/Plus version

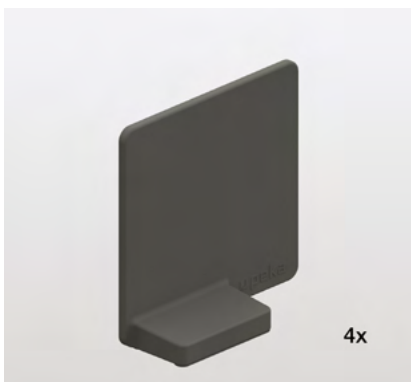
Lay the non-slip mat on the shelf to stabilise the stored items. To clean the mat, remove it from the shelf and rinse it under running water.

- Pleasant feel with a finely textured surface
- Reduces noise when items are stowed
- Can be fitted on right or left
- optional

Includes
1 non-slip mat clip-on shelf 3/3

Technical data
Compatible with: clip-on shelf Liro
Material: silicone

Art. No.	Unit width min. (EB)	Colour	Width (B)	Depth (T)	Height (H)
	mm		mm	mm	mm
100.1206.57	450	oyster white	346	425	1
100.1206.56	450	walnut grey	346	425	1
100.1207.57	600	oyster white	496	425	1
100.1207.56	600	walnut grey	496	425	1



Divider set magnetic

Position the dividers on the base or wall of a metal shelf as required.

- For dividing the shelf into compartments to suit users' needs
- Keeps items in place on the shelf
- Attaches magnetically to the base or the side wall of the metal shelf
- optional

Includes
4 dividers

Technical data
Material: plastic

Art. No.	Unit width min. (EB)	Colour	Width (B)	Depth (T)	Height (H)
	mm		mm	mm	mm
200.2543.51	150	white	77.5	25/3	76
200.2543.52	150	grey	77.5	25/3	76
200.2543.43	150	anthracite	77.5	25/3	76



Larder pull-out

Pleno Plus

The shelves slide out of the unit automatically when the door is opened. The upper section features both door shelves and unit shelving.

Pleno Plus: the larder unit solution for an unbeatable overview and excellent accessibility! The shelves slide out when the door is opened, letting you see immediately where everything is. The upper storage area is split between the door and the cupboard, so even items right at the back of the unit can be reached easily. Pleno Plus is ideal for centralised food storage or as an all-in-one tableware cupboard. Its kinematic runner design means that this larder unit is incredibly easy to open, even when full. Pleno Plus can be retrofitted in hinged cabinets, even without handles.

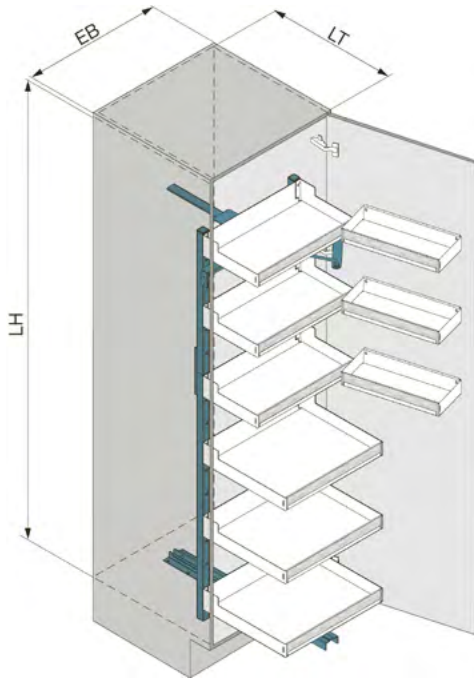


FEATURES AND BENEFITS

- + On opening the door, you have a full overview and immediate access to the contents
- + Slide-out shelves and a split shelf depth in the top make it easy to reach everything, even in the furthest corners
- + Can be opened and closed with minimal effort – even when full – thanks to the kinematic design
- + Optional accessories allowing customised use of shelf space
- + The unit's shelves are easy to remove, making cleaning them a piece of cake
- + Ideal for centralised food storage
- + Uses the full unit height with up to 9 shelves
- + The three shelf dimensions mean that the unit can store everything from small items to large pots
- + Removable non-slip mats available as an option



TECHNICAL DATA



Design line	Fioro/Libell
Handle-free fronts	optional
Barrier-free	yes
Integrated Softclose	no
Integrated Softopen	yes
Type	1300/1600/1900
Unit width (EB)	600 mm
Colour	anthracite, natural oak/white/ silver/anthracite
Load capacity	0-94/0-97 kg
Interior width (LB)	562-568 mm
Interior depth min. (LT)	500 mm
Interior height min. (LH)	1300/1600/1900 mm

TECHNICAL CHARACTERISTICS

- ▶ Built-in Softopen mechanism ensures that the unit can be opened smoothly and silently
- ▶ Height of cabinet shelves can be adjusted without tools
- ▶ Just one set of fittings allows full use of all the space in the unit, even the top shelf
- ▶ Push-to-open mechanism available as an option for handle-free fronts
- ▶ High load capacity of 94/97 kg
- ▶ Maintenance-free technology
- ▶ Universal mechanism that can be fitted on the left or right
- ▶ Mounted on the side wall and base, making it suitable for all unit heights and depths
- ▶ Quick and easy to install
- ▶ No front adjustment necessary



Larder pull-out Pleno Plus 1300 Fiore

The shelves slide out of the unit automatically when the door is opened. The upper section features both door shelves and unit shelving.

Includes

1 main frame
 2 door shelves 1/3 incl. rail inserts
 2 clip-on shelves 2/3 incl. rail inserts
 2 clip-on shelves 3/3 incl. rail inserts
 1 set of door connections, 1 lower slide (incl. Softopen), 1 upper slide

Technical data

Design line: Fiore
 Integrated Softclose: no
 Integrated Softopen: yes
 Assembly with ClickFixx: no
 Load capacity: 0-94 kg
 Load capacity per shelf: 0-3/0-10/
 0-13 kg
 Opening angle: 110 °
 Material: powder-coated sheet steel/
 wood

Art. No.	Type	Unit width (EB)	Colour	Interior width (LB)	Interior depth min. (LT)	Interior height min. (LH)	Width (B)	Depth (T)	Height (H)
		mm		mm	mm	mm	mm	mm	mm
100.1133.43	1300	600	anthracite, natural oak	562-568	500	1300	562-568	495	1104



Larder pull-out Pleno Plus 1300 Libell

The shelves slide out of the unit automatically when the door is opened. The upper section features both door shelves and unit shelving.

Includes

1 main frame
 2 door shelves 1/3
 2 clip-on shelves 2/3
 2 clip-on shelves 3/3
 1 set of door connections, 1 lower slide (incl. Softopen), 1 upper slide

Technical data

Design line: Libell
 Integrated Softclose: no
 Integrated Softopen: yes
 Assembly with ClickFixx: no
 Load capacity: 0-94 kg
 Load capacity per shelf: 0-3/0-10/
 0-13 kg
 Opening angle: 110 °
 Material: powder-coated sheet steel

Art. No.	Type	Unit width (EB)	Colour	Interior width (LB)	Interior depth min. (LT)	Interior height min. (LH)	Width (B)	Depth (T)	Height (H)
		mm		mm	mm	mm	mm	mm	mm
100.1138.01	1300	600	white	562-568	500	1300	562-568	495	1104
100.1138.12	1300	600	silver	562-568	500	1300	562-568	495	1104
100.1138.43	1300	600	anthracite	562-568	500	1300	562-568	495	1104



Non-slip mat set Pleno Plus 1300

Lay the non-slip mat on the shelf to stabilise the stored items. To clean the mat, remove it from the shelf and rinse it under running water.

- Keeps items in place on the shelf
- Pleasant feel with a finely textured surface
- Reduces noise when items are stowed
- optional

Includes

1 non-slip mat set

Technical data

Compatible with: Pleno Plus Fiore/
 Libell
 Material: silicone

Art. No.	Type	Unit width (EB)	Colour	Width (B)	Depth (T)	Height (H)
		mm		mm	mm	mm
100.1233.57	1300	600	oyster white	370/450/450	125/230/375	1
100.1233.56	1300	600	walnut grey	370/450/450	125/230/375	1



Larder pull-out Pleno Plus 1600 Fiore

The shelves slide out of the unit automatically when the door is opened. The upper section features both door shelves and unit shelving.

Includes

1 main frame
 2 door shelves 1/3 incl. rail inserts
 2 clip-on shelves 2/3 incl. rail inserts
 3 clip-on shelves 3/3 incl. rail inserts
 1 set of door connections, 1 lower slide (incl. Softopen), 1 upper slide

Technical data

Design line: Fiore
 Integrated Softclose: no
 Integrated Softopen: yes
 Assembly with ClickFixx: no
 Load capacity: 0-94 kg
 Load capacity per shelf: 0-3/0-10/
 0-13 kg
 Opening angle: 110 °
 Material: powder-coated sheet steel/
 wood

Art. No.	Type	Unit width (EB)	Colour	Interior width (LB)	Interior depth min. (LT)	Interior height min. (LH)	Width (B)	Depth (T)	Height (H)
		mm		mm	mm	mm	mm	mm	mm
100.1131.43	1600	600	anthracite, natural oak	562-568	500	1600	562-568	495	1412



Larder pull-out Pleno Plus 1600 Libell

The shelves slide out of the unit automatically when the door is opened. The upper section features both door shelves and unit shelving.

Includes

1 main frame
 2 door shelves 1/3
 2 clip-on shelves 2/3
 3 clip-on shelves 3/3
 1 set of door connections, 1 lower slide (incl. Softopen), 1 upper slide

Technical data

Design line: Libell
 Integrated Softclose: no
 Integrated Softopen: yes
 Assembly with ClickFixx: no
 Load capacity: 0-94 kg
 Load capacity per shelf: 0-3/0-10/
 0-13 kg
 Opening angle: 110 °
 Material: powder-coated sheet steel

Art. No.	Type	Unit width (EB)	Colour	Interior width (LB)	Interior depth min. (LT)	Interior height min. (LH)	Width (B)	Depth (T)	Height (H)
		mm		mm	mm	mm	mm	mm	mm
100.1137.01	1600	600	white	562-568	500	1600	562-568	495	1412
100.1137.12	1600	600	silver	562-568	500	1600	562-568	495	1412
100.1137.43	1600	600	anthracite	562-568	500	1600	562-568	495	1412



Non-slip mat set Pleno Plus 1600

Lay the non-slip mat on the shelf to stabilise the stored items. To clean the mat, remove it from the shelf and rinse it under running water.

- Keeps items in place on the shelf
- Pleasant feel with a finely textured surface
- Reduces noise when items are stowed
- optional

Includes

1 non-slip mat set

Technical data

Compatible with: Pleno Plus Fiore/
 Libell
 Material: silicone

Art. No.	Type	Unit width (EB)	Colour	Width (B)	Depth (T)	Height (H)
		mm		mm	mm	mm
100.1232.57	1600	600	oyster white	370/450/450	125/230/375	1
100.1232.56	1600	600	walnut grey	370/450/450	125/230/375	1



Larder pull-out Pleno Plus 1900 Fiore

The shelves slide out of the unit automatically when the door is opened. The upper section features both door shelves and unit shelving.

Includes

1 main frame
 3 door shelves 1/3 incl. rail inserts
 3 clip-on shelves 2/3 incl. rail inserts
 3 clip-on shelves 3/3 incl. rail inserts
 1 set of door connections, 1 lower slide (incl. Softopen), 1 upper slide

Technical data

Design line: Fiore
 Integrated Softclose: no
 Integrated Softopen: yes
 Assembly with ClickFixx: no
 Load capacity: 0-97 kg
 Load capacity per shelf: 0-3/0-10/
 0-13 kg
 Opening angle: 110 °
 Material: powder-coated sheet steel/
 wood

Art. No.	Type	Unit width (EB)	Colour	Interior width (LB)	Interior depth min. (LT)	Interior height min. (LH)	Width (B)	Depth (T)	Height (H)
		mm		mm	mm	mm	mm	mm	mm
100.1003.43	1900	600	anthracite, natural oak	562-568	500	1900	562-568	495	1715



Larder pull-out Pleno Plus 1900 Libell

The shelves slide out of the unit automatically when the door is opened. The upper section features both door shelves and unit shelving.

Includes

1 main frame
 3 door shelves 1/3
 3 clip-on shelves 2/3
 3 clip-on shelves 3/3
 1 set of door connections, 1 lower slide (incl. Softopen), 1 upper slide

Technical data

Design line: Libell
 Integrated Softclose: no
 Integrated Softopen: yes
 Assembly with ClickFixx: no
 Load capacity: 0-97 kg
 Load capacity per shelf: 0-3/0-10/
 0-13 kg
 Opening angle: 110 °
 Material: powder-coated sheet steel

Art. No.	Type	Unit width (EB)	Colour	Interior width (LB)	Interior depth min. (LT)	Interior height min. (LH)	Width (B)	Depth (T)	Height (H)
		mm		mm	mm	mm	mm	mm	mm
100.1136.01	1900	600	white	562-568	500	1900	562-568	495	1715
100.1136.12	1900	600	silver	562-568	500	1900	562-568	495	1715
100.1136.43	1900	600	anthracite	562-568	500	1900	562-568	495	1715



Non-slip mat set Pleno Plus 1900

Lay the non-slip mat on the shelf to stabilise the stored items. To clean the mat, remove it from the shelf and rinse it under running water.

- Keeps items in place on the shelf
- Pleasant feel with a finely textured surface
- Reduces noise when items are stowed
- optional

Includes

1 non-slip mat set

Technical data

Compatible with: Pleno Plus Fiore/
 Libell
 Material: silicone

Art. No.	Type	Unit width (EB)	Colour	Width (B)	Depth (T)	Height (H)
		mm		mm	mm	mm
100.1231.57	1900	600	oyster white	370/450/450	125/230/375	1
100.1231.56	1900	600	walnut grey	370/450/450	125/230/375	1



Adapter for framed front panel Pleno Plus

The adapter connects the door shelves to the front panel in units with framed fronts.

- For use with framed fronts
- optional

Includes
1 adapter
1 assembly material

Technical data
Compatible with: Pleno Plus
Assembly with ClickFixx: no
Material: powder-coated sheet steel

Art. No.	Unit width (EB)	Colour	Width (B)	Depth (T)	Height (H)
	mm		mm	mm	mm
100.1160.01	600	white	550	3	55
100.1160.12	600	silver	550	3	55
100.1160.43	600	anthracite	550	3	55



Push-to-open

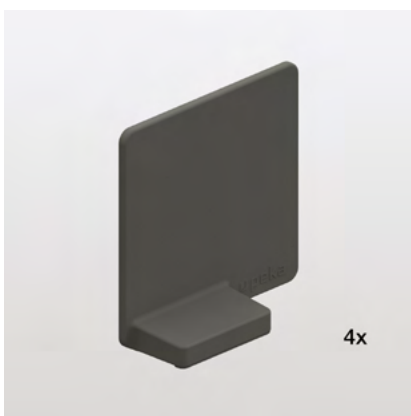
Push on the front panel and it will open just enough to allow a comfortable grip.

- Opens handleless fronts just enough to allow a comfortable grip (min. 40 mm)
- Easy to operate by applying gentle pressure
- Can be retrofitted
- optional

Includes
1 Push-to-open

Technical data
Compatible with: FREEflap Mini, FREEflap Forte, FREEfold, FREEswing, FREEslide, Pleno Maxi, Pleno Plus, Pleno Standard
Material: plastic

Art. No.	Type	Colour	Width (B)	Depth (T)	Height (H)
			mm	mm	mm
500.0300.18	1 green	grey	9.9	90	9.9



Divider set magnetic

Position the dividers on the base or wall of a metal shelf as required.

- For dividing the shelf into compartments to suit users' needs
- Keeps items in place on the shelf
- Attaches magnetically to the base or the side wall of the metal shelf
- optional

Includes
4 dividers

Technical data
Material: plastic

Art. No.	Unit width min. (EB)	Colour	Width (B)	Depth (T)	Height (H)
	mm		mm	mm	mm
200.2543.51	150	white	77.5	25/3	76
200.2543.52	150	grey	77.5	25/3	76
200.2543.43	150	anthracite	77.5	25/3	76



Wooden box low

Place the wooden box on the shelf – no tools required.

- For dividing the shelf into compartments to suit users' needs
- Possible application: groceries, cutlery, writing utensils, jewellery and accessories, etc.
- optional
- Can be retrofitted without any need for tools

Includes
1 small wooden box

Technical data
Compatible with: Pleno Plus Fioro/
Libell, Tablo Libell
Material: wood

Art. No.	Colour	Width (B)	Depth (T)	Height (H)	Status
		mm	mm	mm	
100.0900.36	natural oak	247	148	50	while stocks last



Wooden box set low Pleno

Position wooden boxes on the shelf as required and fix them together with metal clips.

- For dividing the shelf into compartments to suit users' needs
- Possible application: groceries, cutlery, writing utensils, jewellery and accessories, etc.
- optional
- Can be retrofitted without any need for tools

Includes
1 strip (473/323 x 102 x 87 mm)
2 small boxes (247 x 148 x 50 mm)

Technical data
Compatible with: Pleno Standard
Fioro/Libell
Material: wood

Art. No.	Unit width (EB)	Colour	Width (B)	Depth (T)	Height (H)	Status
	mm		mm	mm	mm	
100.0907.36	600	natural oak	473	398	50/87	while stocks last



Wooden box set high Pleno

Position wooden boxes on the shelf as required and fix them together with metal clips.

- For dividing the shelf into compartments to suit users' needs
- Possible application: groceries, cutlery, writing utensils, jewellery and accessories, etc.
- optional
- Can be retrofitted without any need for tools

Includes
1 strip (473 x 102 x 87 mm)
1 large box (247 x 296 x 87 mm)

Technical data
Compatible with: Pleno Standard
Fioro/Libell, Pleno Plus Fioro/Libell
Material: wood

Art. No.	Unit width (EB)	Colour	Width (B)	Depth (T)	Height (H)	Status
	mm		mm	mm	mm	
100.0908.36	600	natural oak	473	398	87	while stocks last



Larder pull-out

Pleno Standard

All the shelves slide out of the unit automatically when the door is opened.

Pleno Standard: the larder unit pull-out for any application! The shelves slide out when the door is opened, letting you see immediately where everything is. The spacious metal shelves are height-adjustable and suitable for storing all kinds of things, including food, tableware, pots, board games, laundry and more. Accessible from the front and sides, all the contents are within easy reach, even on the top shelf. Thanks to its kinematic runner design, Pleno Standard is incredibly easy to open, even when full. The pull-out can be retrofitted in hinged cabinets, even without handles, at any time.

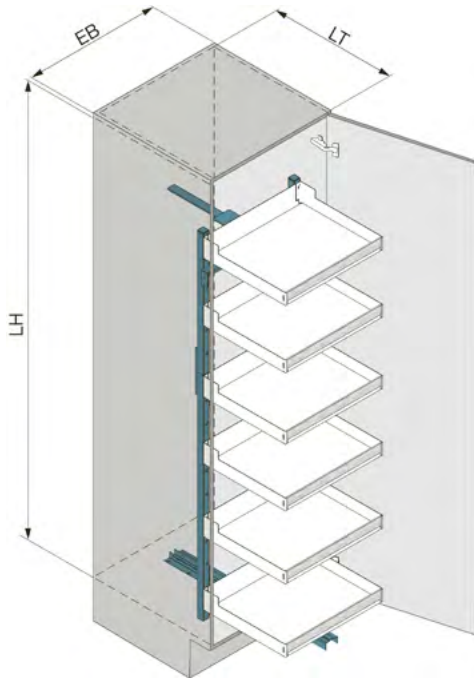


FEATURES AND BENEFITS

- + A single movement brings the entire contents out in front of the unit
- + Complete overview and easy access, including at the top (above head height)
- + Can be opened and closed with minimal effort – even when full – thanks to the kinematic design
- + Optional accessories allowing customised use of shelf space
- + Shelves can be easily removed for cleaning and clipped back in place
- + The universal larder unit pull-out for kitchens, living rooms and dressing rooms
- + Removable non-slip mats available as an option
- + Closed shelf base stops bottles from toppling and small items from falling through
- + Extra shelves can be retrofitted at any time without tools



TECHNICAL DATA



Design line	Fioro/Libell
Handle-free fronts	optional
Barrier-free	yes
Integrated Softclose	no
Integrated Softopen	yes
Type	1900
Unit width (EB)	450/600 mm
Colour	anthracite, natural oak/white/ silver/anthracite
Load capacity	0-100 kg
Interior width (LB)	412-418/562-568 mm
Interior depth min. (LT)	500 mm
Interior height min. (LH)	1900 mm

TECHNICAL CHARACTERISTICS

- ▶ Built-in Softopen mechanism ensures that the unit can be opened smoothly and silently
- ▶ Height of clip-on shelves can be adjusted without tools
- ▶ Just one set of fittings allows full use of all the space in the unit, even the top shelf
- ▶ Push-to-open mechanism available as an option for handle-free fronts
- ▶ High load capacity of 100 kg
- ▶ Maintenance-free technology
- ▶ Universal mechanism that can be fitted on the left or right
- ▶ Mounted on the side wall and base, making it suitable for all unit heights and depths
- ▶ Quick and easy to install
- ▶ No front adjustment necessary



Larder pull-out Pleno Standard 1900 Fiore

All the shelves slide out of the unit automatically when the door is opened.

Includes

- 1 main frame
- 6 clip-on shelves incl. rail inserts
- 1 set of door connections
- 1 lower slide (incl. Softopen),
- 1 upper slide

Technical data

- Design line: Fiore
- Integrated Softclose: no
- Integrated Softopen: yes
- Assembly with ClickFixx: no
- Load capacity: 0-100 kg
- Load capacity per shelf: 0-13 kg
- Opening angle: 110 °
- Material: powder-coated sheet steel/ wood

Art. No.	Type	Unit width (EB)	Colour	Interior width (LB)	Interior depth min. (LT)	Interior height min. (LH)	Width (B)	Depth (T)	Height (H)
		mm		mm	mm	mm	mm	mm	mm
100.0956.43	1900	450	anthracite, natural oak	412-418	500	1900	412-418	495	1715
100.0959.43	1900	600	anthracite, natural oak	562-568	500	1900	562-568	495	1715



Larder pull-out Pleno Standard 1900 Libell

All the shelves slide out of the unit automatically when the door is opened.

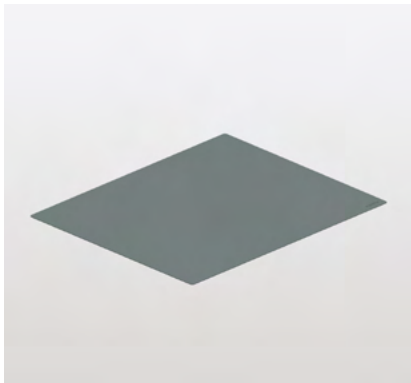
Includes

- 1 main frame
- 6 clip-on shelves
- 1 set of door connections
- 1 lower slide (incl. Softopen),
- 1 upper slide

Technical data

- Design line: Libell
- Integrated Softclose: no
- Integrated Softopen: yes
- Assembly with ClickFixx: no
- Load capacity: 0-100 kg
- Load capacity per shelf: 0-13 kg
- Opening angle: 110 °
- Material: powder-coated sheet steel

Art. No.	Type	Unit width (EB)	Colour	Interior width (LB)	Interior depth min. (LT)	Interior height min. (LH)	Width (B)	Depth (T)	Height (H)
		mm		mm	mm	mm	mm	mm	mm
100.0917.01	1900	450	white	412-418	500	1900	412-418	495	1715
100.0917.12	1900	450	silver	412-418	500	1900	412-418	495	1715
100.0917.43	1900	450	anthracite	412-418	500	1900	412-418	495	1715
100.0918.01	1900	600	white	562-568	500	1900	562-568	495	1715
100.0918.12	1900	600	silver	562-568	500	1900	562-568	495	1715
100.0918.43	1900	600	anthracite	562-568	500	1900	562-568	495	1715



Non-slip mat Pleno Standard

Lay the non-slip mat on the shelf to stabilise the stored items. To clean the mat, remove it from the shelf and rinse it under running water.

- Keeps items in place on the shelf
- Pleasant feel with a finely textured surface
- Reduces noise when items are stowed
- optional

Includes
1 non-slip mat

Technical data
Compatible with: Pleno Standard Fiore/
Libell
Material: silicone

Art. No.	Unit width (EB)	Colour	Width (B)	Depth (T)	Height (H)
	mm		mm	mm	mm
100.1190.57	450	oyster white	375	305	1
100.1190.56	450	walnut grey	375	305	1
100.1191.57	600	oyster white	450	375	1
100.1191.56	600	walnut grey	450	375	1



Push-to-open

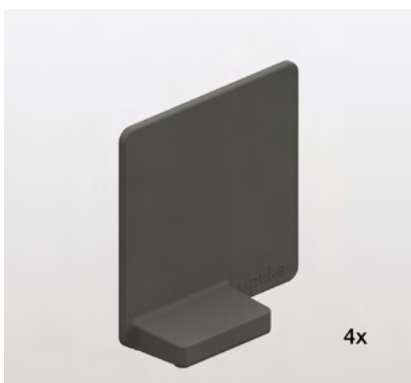
Push on the front panel and it will open just enough to allow a comfortable grip.

- Opens handleless fronts just enough to allow a comfortable grip (min. 40 mm)
- Easy to operate by applying gentle pressure
- Can be retrofitted
- optional

Includes
1 Push-to-open

Technical data
Compatible with: FREEflap Mini, FREEflap Forte, FREEfold, FREEswing, FREEslide, Pleno Maxi, Pleno Plus, Pleno Standard
Material: plastic

Art. No.	Type	Colour	Width (B)	Depth (T)	Height (H)
			mm	mm	mm
500.0300.18	1 green	grey	9.9	90	9.9



Divider set magnetic

Position the dividers on the base or wall of a metal shelf as required.

- For dividing the shelf into compartments to suit users' needs
- Keeps items in place on the shelf
- Attaches magnetically to the base or the side wall of the metal shelf
- optional

Includes
4 dividers

Technical data
Material: plastic

Art. No.	Unit width min. (EB)	Colour	Width (B)	Depth (T)	Height (H)
	mm		mm	mm	mm
200.2543.51	150	white	77.5	25/3	76
200.2543.52	150	grey	77.5	25/3	76
200.2543.43	150	anthracite	77.5	25/3	76



Wooden box set low Pleno

Position wooden boxes on the shelf as required and fix them together with metal clips.

- For dividing the shelf into compartments to suit users' needs
- Possible application: groceries, cutlery, writing utensils, jewellery and accessories, etc.
- optional
- Can be retrofitted without any need for tools

Includes

1 strip (473/323 x 102 x 87 mm)
2 small boxes (247 x 148 x 50 mm)

Technical data

Compatible with: Pleno Standard
Fiore/Libell
Material: wood

Art. No.	Unit width (EB)	Colour	Width (B)	Depth (T)	Height (H)	Status
	mm		mm	mm	mm	
100.0909.36	450	natural oak	323	398	50/87	while stocks last
100.0907.36	600	natural oak	473	398	50/87	while stocks last



Wooden box set high Pleno

Position wooden boxes on the shelf as required and fix them together with metal clips.

- For dividing the shelf into compartments to suit users' needs
- Possible application: groceries, cutlery, writing utensils, jewellery and accessories, etc.
- optional
- Can be retrofitted without any need for tools

Includes

1 strip (473 x 102 x 87 mm)
1 large box (247 x 296 x 87 mm)

Technical data

Compatible with: Pleno Standard
Fiore/Libell, Pleno Plus Fiore/Libell
Material: wood

Art. No.	Unit width (EB)	Colour	Width (B)	Depth (T)	Height (H)	Status
	mm		mm	mm	mm	
100.0908.36	600	natural oak	473	398	87	while stocks last



Larder pull-out

Hochschrank Standard

When you open the front pull-out, all the items stored in the unit slide out to where you can see them.

A clear, organised storage solution for narrow units. When kitchen space is tight, the Hochschrank Standard larder pull-out really comes into its own. It's amazing what you can store in it: groceries, packets, tins, bottles, spices, and more. Just one simple movement lets you see the unit's entire contents at a glance, no matter how high they are stored. Even when fully loaded, this larder unit is incredibly easy to open. And because it can be operated easily from both sides, Hochschrank Standard can be used anywhere. Whether next to the fridge, oven or at the end of a row of kitchen units, the Hochschrank Standard larder pull-out is a storage wonder. Little wonder, then, that it's so popular!

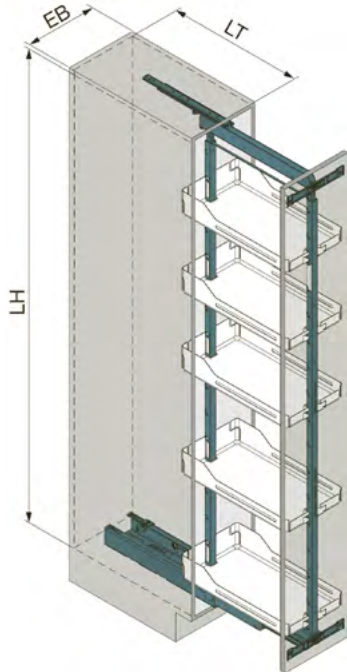


FEATURES AND BENEFITS

- + Most compact and space-efficient solution for narrow units thanks to thin-walled shelves and full use of unit height
- + A single movement brings the entire contents out in front of the unit
- + Complete overview and easy access, including at the top (above head height)
- + Very easy to open, even when fully loaded
- + Shelves can be easily removed for cleaning and clipped back in place
- + Extra shelves can be retrofitted at any time without tools
- + Suitable for compact living and barrier-free homes
- + Optional accessories allowing customised use of shelf space



TECHNICAL DATA



Design line	Fioro/Liro/Libell/Excellent/plastic
Handle-free fronts	no/optional
Barrier-free	yes
Integrated Softclose	yes
Integrated Softopen	yes
Unit width (EB)	150/275/300/400/450 mm
Colour	white/silver/anthracite
Load capacity	0-100/0-120 kg
Interior width min. (LB)	112/162 mm
Interior depth min. (LT)	505 mm
Interior height (LH)	900-1300/1200-1600/1600-2000/ 1805-2260/1999 mm

TECHNICAL CHARACTERISTICS

- ▶ Clip-on shelves can be positioned as required
- ▶ Extension runner with a high load capacity of 100 / 120 kg
- ▶ Built-in Softopen and Softclose mechanisms ensure that the unit can be opened and closed smoothly and silently
- ▶ Mounted on ball bearings, the roller runner is smooth, durable and robust
- ▶ Mounted on base and top, making it suitable for all unit widths and depths
- ▶ Suitable for all standard widths from 150 mm to 450 mm
- ▶ Automatic synchronisation in the pull-out ensures that the cabinet always closes perfectly



Full-extension runner Compact Hochschrank Standard

The full-extension runner enables the contents to be pulled all the way out of the unit.

- eTouch/eTouch+ available as an option for handleless fronts
- Automatic synchronisation

Includes
 1 full-extension runner
 1 upper slide
 1 Softclose for tubular frame

Technical data
 Compatible with: Hochschrank Standard
 Integrated Softclose: yes
 Integrated Softtopen: yes
 Assembly with ClickFixx: yes
 Load capacity: 0-120 kg
 Material: powder-coated sheet steel

Art. No.	Colour	Interior width min. (LB)	Interior depth min. (LT)	Width (B)	Depth (T)	Height (H)
		mm	mm	mm	mm	mm
100.0874.01	white	162	505	130	490	55
100.0874.02	silver	162	505	130	490	55
100.0874.43	anthracite	162	505	130	490	55



Electric door opener E-Touch Hochschrank Standard

Tap the front with your finger and the pull-out glides right out.

- Opens handleless fronts using an electric motor
- Electric motor fully extends the pull-out
- Easy to operate at the touch of a finger
- optional

Includes
 1 E-Touch electronic door opener
 1 assembly material

Technical data
 Compatible with: full-extension runner
 Compact
 Load capacity: 0-120 kg
 Material: plastic

Art. No.	Unit width min. (EB)	Colour	Width (B)	Depth (T)	Height (H)
	mm		mm	mm	mm
100.0873.02	300	grey	68	333	77



Electric door opener E-Touch+ Hochschrank Standard

Tap the front with your finger to open it slightly and then pull the mechanism right out of the unit.

- Opens handleless fronts using an electric motor
- Easy to operate at the touch of a finger
- Can be retrofitted alongside existing Softclose device
- optional

Includes
 1 E-Touch electronic door opener
 1 assembly material

Technical data
 Compatible with: full-extension runner
 Compact, Convoy Centro
 Load capacity: 0-120 kg
 Material: plastic

Art. No.	Unit width min. (EB)	Colour	Width (B)	Depth (T)	Height (H)
	mm		mm	mm	mm
100.1170.02	275	grey	54	175/210	44



Standard-extension runner Single Hochschrank Standard

The standard-extension runner enables the contents to be pulled all the way out of the unit and can be used for unit widths from 150 mm upwards.

Includes

- 1 standard-extension runner
- 1 upper slide
- 1 Softclose for tubular frame

Technical data

Compatible with: Hochschrank Standard
 Integrated Softclose: yes
 Integrated Softtopen: yes
 Assembly with ClickFixx: yes
 Load capacity: 0-100 kg
 Material: powder-coated sheet steel

Art. No.	Colour	Interior width min. (LB)	Interior depth min. (LT)	Width (B)	Depth (T)	Height (H)
		mm	mm	mm	mm	mm
100.0922.01	white	112	505	79	495	55
100.0922.02	silver	112	505	79	495	55
100.0922.43	anthracite	112	505	79	495	55



Height-adjustable tubular frame Hochschrank Standard

The tubular frame supports the clip-on shelves.

- Easy assembly with ClickFixx
- Simple 3D adjustment thanks to eccentric technology

Includes

- 1 tubular frame

Technical data

Compatible with: Hochschrank Standard
 Assembly with ClickFixx: yes
 Material: powder-coated sheet steel

Art. No.	Colour	Recommended number of shelves	Interior height (LH)	Width (B)	Depth (T)	Height (H)
		pcs	mm	mm	mm	mm
100.0590.01	white	3-4	900-1300	48	495	845-1245
100.0590.02	silver	3-4	900-1300	48	495	845-1245
100.0590.43	anthracite	3-4	900-1300	48	495	845-1245
100.0592.01	white	4	1200-1600	48	495	1145-1545
100.0592.02	silver	4	1200-1600	48	495	1145-1545
100.0592.43	anthracite	4	1200-1600	48	495	1145-1545
100.0594.01	white	5	1600-2000	48	495	1545-1945
100.0594.02	silver	5	1600-2000	48	495	1545-1945
100.0594.43	anthracite	5	1600-2000	48	495	1545-1945
100.0596.01	white	6-7	1805-2260	48	495	1750-2205
100.0596.02	silver	6-7	1805-2260	48	495	1750-2205
100.0596.43	anthracite	6-7	1805-2260	48	495	1750-2205



Extra hook set Hochschrank Standard

Slide the extra hooks on the front and back over the extended height-adjustable tubular frame and tighten.

- For fully extended height-adjustable tubular frames
- Allows the full unit height to be used
- Recommended when the height-adjustable tubular frame is extended by at least 320 mm
- optional

Includes
2 extra hooks

Technical data
Compatible with: height-adjustable tubular frame
Material: powder-coated sheet steel

Art. No.	Colour	Width (B)	Depth (T)	Height (H)
		mm	mm	mm
100.0163.01	white	25	25	125
100.0163.02	silver	25	25	125
100.0163.43	anthracite	25	25	125



Fixed tubular frame Hochschrank Standard

The tubular frame supports the clip-on shelves.

- Easy assembly with ClickFixx
- Simple 3D adjustment thanks to eccentric technology

Includes
1 tubular frame

Technical data
Compatible with: Hochschrank Standard
Assembly with ClickFixx: yes
Material: powder-coated sheet steel

Art. No.	Colour	Recommended number of shelves	Interior height (LH)	Width (B)	Depth (T)	Height (H)
		pcs	mm	mm	mm	mm
100.0598.01	white	6	1999	48	495	1944
100.0598.02	silver	6	1999	48	495	1944
100.0598.43	anthracite	6	1999	48	495	1944



Front bracket set Hochschrank Standard

The front brackets connect the unit front to the tubular frame.

- Easy assembly with ClickFixx
- Simple 3D adjustment thanks to eccentric technology

Includes
2 front brackets

Technical data
Compatible with: Hochschrank Standard
Assembly with ClickFixx: yes
Material: powder-coated sheet steel

Art. No.	Unit width (EB)	Colour	Width (B)	Depth (T)	Height (H)
	mm		mm	mm	mm
100.0892.01	150/200/250	white	107	79	30
100.0892.02	150/200/250	silver	107	79	30
100.0892.43	150/200/250	anthracite	107	79	30
100.0584.01	275	white	225	79	38
100.0584.02	275	silver	225	79	38
100.0584.43	275	anthracite	225	79	38
100.0585.01	300	white	250	79	38
100.0585.02	300	silver	250	79	38
100.0585.43	300	anthracite	250	79	38
100.0586.01	400/450	white	350	79	38
100.0586.02	400/450	silver	350	79	38
100.0586.43	400/450	anthracite	350	79	38



Front stabiliser Hochschrank Standard

Place the bracket over the tubular frame and screw to the front panel.

- Strengthens the connection between the front panel and tubular frame
- optional

Includes
1 front stabiliser

Technical data
Compatible with: Hochschrank Standard
Material: powder-coated sheet steel

Art. No.	Colour	Width (B)	Depth (T)	Height (H)
		mm	mm	mm
100.0142.01	white	67	20	28
100.0142.02	silver	67	20	28
100.0142.43	anthracite	67	20	28



Clip-on shelf Fiore Hochschrank Standard

Thin-walled, extremely sturdy metal shelves with wooden rail inserts.

- Maximum use of space thanks to thin-walled yet extremely sturdy metal shelves
- Shelves can be easily removed for cleaning and clipped back in place
- Removable non-slip mats available as an option
- Adjustable without tools

Includes

1 clip-on shelf set incl. rail inserts

Technical data

Compatible with: Hochschrank Standard, Junior
 Design line: Fiore
 Load capacity per shelf: 0-18 kg
 Material: powder-coated sheet steel/ wood

Art. No.	Unit width (EB)	Colour	Set of	Rail height	Width (B)	Depth (T)	Height (H)
	mm		pcs	mm			
100.0938.43	150	anthracite, natural oak	5	3x 87; 2x 52	100	462	90
100.1015.43	150	anthracite, natural oak	1	87	100	462	90
100.0941.43	275	anthracite, natural oak	5	3x 87; 2x 52	225	462	90
100.1018.43	275	anthracite, natural oak	1	87	225	462	90
100.0942.43	300	anthracite, natural oak	5	3x 87; 2x 52	250	462	90
100.1019.43	300	anthracite, natural oak	1	87	250	462	90
100.0943.43	400	anthracite, natural oak	5	3x 87; 2x 52	350	462	90
100.1020.43	400	anthracite, natural oak	1	87	350	462	90
100.0944.43	450	anthracite, natural oak	5	3x 87; 2x 52	400	462	90
100.1021.43	450	anthracite, natural oak	1	87	400	462	90



Clip-on shelf Liro Hochschrank Standard

Thin-walled but extremely sturdy metal shelves that can be combined with wooden rail inserts.

- Maximum use of space thanks to thin-walled yet extremely sturdy metal shelves
- Also available with wooden rail inserts for extra versatility
- Unique wood/white and wood/silver combinations
- Shelves can be easily removed for cleaning and clipped back in place

Includes
1 clip-on shelf set

Technical data
Compatible with: Hochschrank Standard, Junior
Design line: Liro
Load capacity per shelf: 0-18 kg
Material: powder-coated sheet steel

Art. No.	Unit width (EB)	Colour	Set of	Width (B)	Depth (T)	Height (H)
	mm		pcs	mm	mm	mm
100.1247.01	150	white	1	100	462	90
100.1240.01	150	white	5	100	462	90
100.1247.12	150	silver	1	100	462	90
100.1240.12	150	silver	5	100	462	90
100.1247.43	150	anthracite	1	100	462	90
100.1240.43	150	anthracite	5	100	462	90
100.1250.01	275	white	1	225	462	90
100.1243.01	275	white	5	225	462	90
100.1250.12	275	silver	1	225	462	90
100.1243.12	275	silver	5	225	462	90
100.1250.43	275	anthracite	1	225	462	90
100.1243.43	275	anthracite	5	225	462	90
100.1251.01	300	white	1	250	462	90
100.1244.01	300	white	5	250	462	90
100.1251.12	300	silver	1	250	462	90
100.1244.12	300	silver	5	250	462	90
100.1251.43	300	anthracite	1	250	462	90
100.1244.43	300	anthracite	5	250	462	90
100.1252.01	400	white	1	350	462	90
100.1245.01	400	white	5	350	462	90
100.1252.12	400	silver	1	350	462	90
100.1245.12	400	silver	5	350	462	90
100.1252.43	400	anthracite	1	350	462	90
100.1245.43	400	anthracite	5	350	462	90
100.1253.01	450	white	1	400	462	90
100.1246.01	450	white	5	400	462	90
100.1253.12	450	silver	1	400	462	90
100.1246.12	450	silver	5	400	462	90
100.1253.43	450	anthracite	1	400	462	90
100.1246.43	450	anthracite	5	400	462	90



Railing insert set Liro Hochschrank Standard

Insert the rail into the slot provided in the Liro shelf

- Solid oak rail inserts
- Optional addition to Liro shelves as a style variation
- Goes well with wooden unit fronts and warm colours
- Can be retrofitted without any need for tools

Includes
2 rail inserts

Technical data
Compatible with: clip-on shelf Liro
Design line: Liro
Material: wood

Art. No.	Unit width (EB)	Colour	Width (B)	Depth (T)	Height (H)
	mm		mm	mm	mm
100.1254.36	150-450	natural oak	6/6	458/458	87/87
100.1254.66	150-450	stained oak	6/6	458/458	87/87



Clip-on shelf Libell Hochschrank Standard

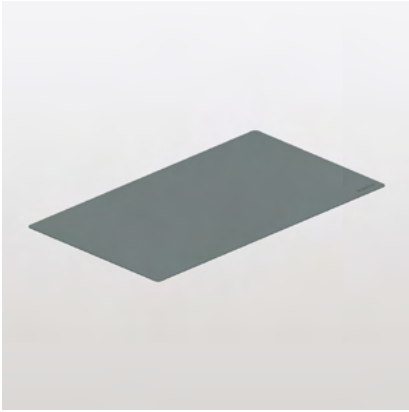
Thin-walled, extremely sturdy metal shelves.

- Maximum use of space thanks to thin-walled yet extremely sturdy metal shelves
- Shelves can be easily removed for cleaning and clipped back in place
- Removable non-slip mats available as an option
- Adjustable without tools

Includes
1 clip-on shelf set

Technical data
Compatible with: Hochschrank Standard, Junior
Design line: Libell
Load capacity per shelf: 0-18 kg
Material: powder-coated sheet steel

Art. No.	Unit width (EB)	Colour	Set of	Width (B)	Depth (T)	Height (H)
	mm		pcs	mm	mm	mm
100.1105.01	150	white	1	100	468	55/92
100.1122.01	150	white	5	100	468	55/92
100.1105.12	150	silver	1	100	468	55/92
100.1122.12	150	silver	5	100	468	55/92
100.1105.43	150	anthracite	1	100	468	55/92
100.1122.43	150	anthracite	5	100	468	55/92
100.1106.01	275	white	1	225	468	55/92
100.1125.01	275	white	5	225	468	55/92
100.1106.12	275	silver	1	225	468	55/92
100.1125.12	275	silver	5	225	468	55/92
100.1106.43	275	anthracite	1	225	468	55/92
100.1125.43	275	anthracite	5	225	468	55/92
100.1107.01	300	white	1	250	468	55/92
100.1126.01	300	white	5	250	468	55/92
100.1107.12	300	silver	1	250	468	55/92
100.1126.12	300	silver	5	250	468	55/92
100.1107.43	300	anthracite	1	250	468	55/92
100.1126.43	300	anthracite	5	250	468	55/92
100.1108.01	400	white	1	350	468	55/92
100.1127.01	400	white	5	350	468	55/92
100.1108.12	400	silver	1	350	468	55/92
100.1127.12	400	silver	5	350	468	55/92
100.1108.43	400	anthracite	1	350	468	55/92
100.1127.43	400	anthracite	5	350	468	55/92
100.1109.01	450	white	1	400	468	55/92
100.1128.01	450	white	5	400	468	55/92
100.1109.12	450	silver	1	400	468	55/92
100.1128.12	450	silver	5	400	468	55/92
100.1109.43	450	anthracite	1	400	468	55/92
100.1128.43	450	anthracite	5	400	468	55/92



Non-slip mat Hochschrank Standard

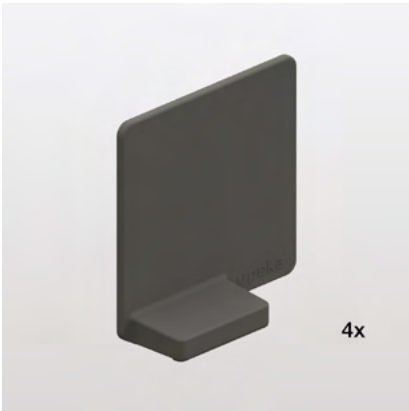
Lay the non-slip mat on the shelf to stabilise the stored items. To clean the mat, remove it from the shelf and rinse it under running water.

- Keeps items in place on the shelf
- Pleasant feel with a finely textured surface
- Reduces noise when items are stowed
- optional

Includes
1 non-slip mat

Technical data
Compatible with: clip-on shelf Fioro/
Liro/Libell, Snello
Material: silicone

Art. No.	Unit width (EB)	Colour	Width (B)	Depth (T)	Height (H)
	mm		mm	mm	mm
100.1180.57	150	oyster white	80	400	1
100.1180.56	150	walnut grey	80	400	1
100.1183.57	275	oyster white	200	400	1
100.1183.56	275	walnut grey	200	400	1
100.1184.57	300	oyster white	230	400	1
100.1184.56	300	walnut grey	230	400	1
100.1185.57	400	oyster white	320	400	1
100.1185.56	400	walnut grey	320	400	1
100.1186.57	450	oyster white	380	400	1
100.1186.56	450	walnut grey	380	400	1



Divider set magnetic

Position the dividers on the base or wall of a metal shelf as required.

- For dividing the shelf into compartments to suit users' needs
- Keeps items in place on the shelf
- Attaches magnetically to the base or the side wall of the metal shelf
- optional

Includes
4 dividers

Technical data
Material: plastic

Art. No.	Unit width min. (EB)	Colour	Width (B)	Depth (T)	Height (H)
	mm		mm	mm	mm
200.2543.51	150	white	77.5	25/3	76
200.2543.52	150	grey	77.5	25/3	76
200.2543.43	150	anthracite	77.5	25/3	76



Clip-on basket Excellent Hochschrank Standard

Chrome-plated wire basket.

- Shelves can be easily removed for cleaning and clipped back in place
- Adjustable without tools

Includes
1 clip-on basket

Technical data
Compatible with: Hochschrank Standard, Junior
Design line: Excellent
Load capacity per shelf: 0-18 kg
Material: chrome-plated wire

Art. No.	Unit width (EB)	Colour	Width (B)	Depth (T)	Height (H)
	mm		mm	mm	mm
100.0188.05	300	chrome	250	467	90/110
100.0189.05	400	chrome	350	467	90/110



Clip-on tray Hochschrank Standard

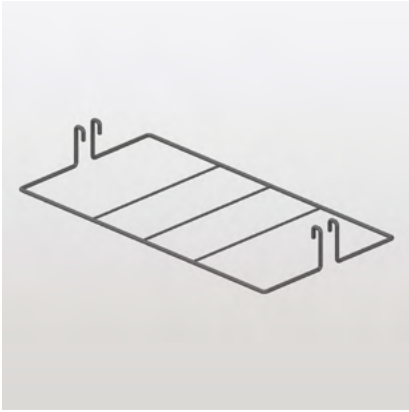
White tray made of high-quality plastic.

- Shelves can be easily removed for cleaning and clipped back in place
- Tool-free and quick assembly (ClickFixx)
- Adjustable without tools

Includes
1 clip-on tray

Technical data
Compatible with: Hochschrank Standard
Design line: plastic
Load capacity per shelf: 0-18 kg
Material: plastic

Art. No.	Unit width (EB)	Colour	Width (B)	Depth (T)	Height (H)
	mm		mm	mm	mm
100.0171.01	275	white	225	460	65
100.0174.01	300	white	250	460	65
100.0178.01	400	white	350	460	65



Bottle partition Hochschrank Standard

Clip the rack onto the tubular frame above the shelf without the need for tools.

- Prevents bottles and spice jars of different sizes from toppling
- optional
- Tool-free assembly
- Can be retrofitted

Includes
1 bottle partition

Technical data
Compatible with: Hochschrank Standard
Divider: 4
Material: powder-coated sheet steel

Art. No.	Unit width (EB)	Colour	Width (B)	Depth (T)	Height (H)
	mm		mm	mm	mm
100.1236.01	275	white	225	468	64
100.1236.12	275	silver	225	468	64
100.1236.43	275	anthracite	225	468	64
100.1237.01	300	white	250	468	64
100.1237.12	300	silver	250	468	64
100.1237.43	300	anthracite	250	468	64
100.1238.01	400	white	350	468	64
100.1238.12	400	silver	350	468	64
100.1238.43	400	anthracite	350	468	64



Pull-out shelf

Extendo for units without doors

The front of the shelf is directly accessible, and the shelf can be pulled out for easy access to the back.

The versatile Extendo can be used either as a single pull-out shelf in a sideboard or as a complete system in a larder unit. Usually open at the front, Extendo provides a great overview and direct access to items at the front of the unit. When pulled out, it brings contents at the back within easy reach. Extendo takes up almost no unit space thanks to its thin walls made from extremely sturdy sheet steel. Its sleek, streamlined design harmonises perfectly with existing design schemes and is easy to clean. What's more, Extendo is a stylish solution for any application thanks to its range of matching accessories: in a shoe cupboard or wardrobe, in a tableware cabinet or larder unit, or as a pull-out shelf for appliances in the corner of your kitchen.

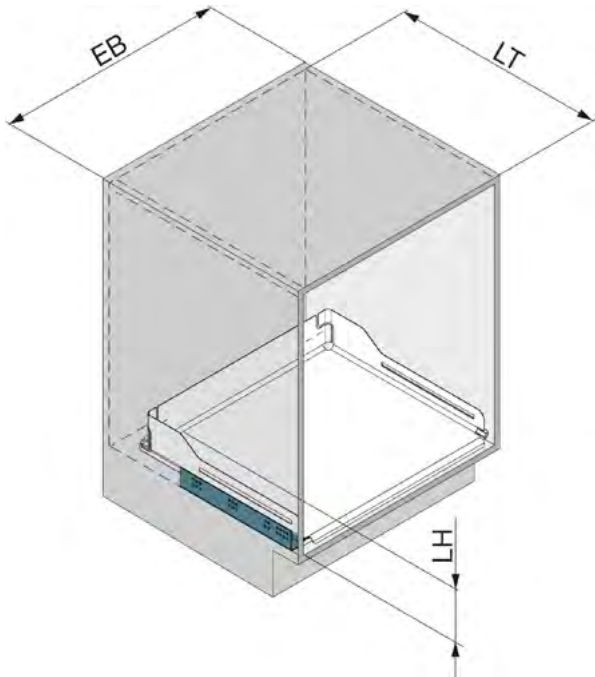


FEATURES AND BENEFITS

- + Direct access and a great overview of contents
- + Can be operated from above thanks to full extension
- + Maximum use of space thanks to thin-walled yet extremely sturdy metal shelves
- + Almost completely recyclable thanks to the use of sheet steel
- + The shelves' sleek design and closed base make them easy to clean
- + Simple design to match any style
- + Applications: Flexible shelf system with shelves that can be fully and individually extended, pull-out shelf for appliances in a dresser unit, temporary fixed work surface



TECHNICAL DATA

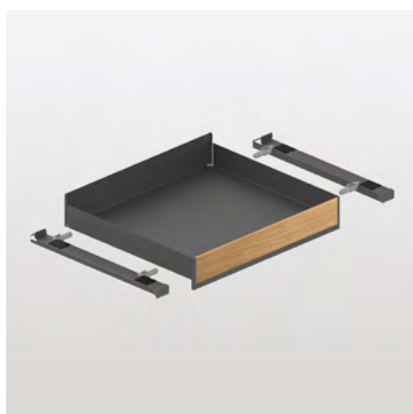


Design line	Fioro/Liro/Libell
Barrier-free	yes
Unit width (EB)	450/500/550/600 mm
Model	Grass Dynapro/Universal/ Blum Legrabox
Colour	anthracite, natural oak/white/ silver/anthracite
Interior width (LB)	412-418/462-468/512-518/ 562-568 mm
Interior depth min. (LT)	480/508/515/519 mm
Interior height min. (LH)	138-146/140-148/142/152/153/ 155 mm

TECHNICAL CHARACTERISTICS

- ▶ Ingenious installation system with adapter, making it easy to attach to and remove from any runner
- ▶ With optional accessories, it can be used for storing clothes, shoes, tableware or groceries
- ▶ Combined with Click Stop, Extendo can be temporarily transformed into a fixed work surface
- ▶ Removable non-slip mats available as an option
- ▶ Without spacer for doorless units, sliding doors or doors with zero protrusion hinges
- ▶ Can be used with a range of sliding systems thanks to different runner adapters (excl. Blum Movento)
- ▶ Suitable for 16- or 19-mm-thick side panel

EXTENDO FIORO



Pull-out shelf Extendo Fiore Universal without spacer

The front of the shelf is directly accessible, and the shelf can be pulled out for easy access to the back.

Includes

1 pull-out shelf incl. rail insert
(without slides)
2 adapters (left+right)

Technical data

Design line: Fiore
Assembly with ClickFixx: yes
Load capacity per shelf: 0-30 kg
Drawer runner nominal length (NL): 450 mm
Material: powder-coated sheet steel/wood

Art. No.	Unit width (EB)	Model	Colour	Rail height	Interior width (LB)	Interior depth min. (LT)	Interior height min. (LH)	Width (B)	Depth (T)	Height (H)
	mm			mm	mm	mm	mm	mm	mm	mm
200.2343.43	450	Universal	anthracite, natural oak	35	412-418	508	138-146	412-418	508	117
200.2363.43	450	Universal	anthracite, natural oak	87	412-418	508	138-146	412-418	508	117
200.2344.43	500	Universal	anthracite, natural oak	35	462-468	508	138-146	462-468	508	117
200.2364.43	500	Universal	anthracite, natural oak	87	462-468	508	138-146	462-468	508	117
200.2345.43	550	Universal	anthracite, natural oak	35	512-518	508	138-146	512-518	508	117
200.2365.43	550	Universal	anthracite, natural oak	87	512-518	508	138-146	512-518	508	117
200.2346.43	600	Universal	anthracite, natural oak	35	562-568	508	138-146	562-568	508	117
200.2366.43	600	Universal	anthracite, natural oak	87	562-568	508	138-146	562-568	508	117



Concealed extension runner Grass Dynapro NL 450

The full-extension runner guides the system / shelf right out of the unit.

- With Softclose
- High load capacity of 40 kg

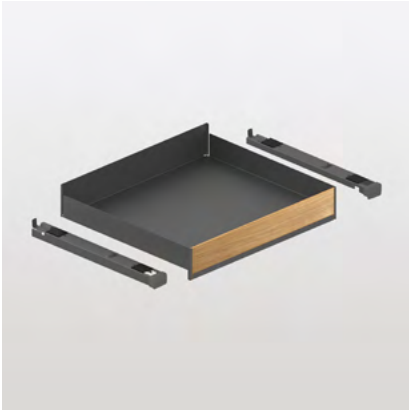
Includes

2 slides (left+right)

Technical data

Compatible with: Extendo Libell, Extendo Fiore, Trio Universal
Integrated Softclose: yes
Integrated Softopen: no
Load capacity: 0-40 kg
Drawer runner nominal length (NL): 450 mm
Material: zinc-plated sheet steel

Art. No.	Model	Colour	Width (B)	Depth (T)	Height (H)
			mm	mm	mm
200.1408.04	Grass Dynapro	zinc-plated	58/58	450	49



Pull-out shelf Extendo Fiore Blum Legrabox without spacer

The front of the shelf is directly accessible, and the shelf can be pulled out for easy access to the back.

Includes

- 1 pull-out shelf incl. rail insert (without slides)
- 2 adapters (left+right)

Technical data

Design line: Fiore
 Assembly with ClickFixx: yes
 Load capacity per shelf: 0-30 kg
 Drawer runner nominal length (NL): 450 mm
 Material: powder-coated sheet steel/wood

Art. No.	Unit width (EB)	Model	Colour	Rail height	Interior width (LB)	Interior depth min. (LT)	Interior height min. (LH)	Width (B)	Depth (T)	Height (H)
	mm			mm	mm	mm	mm	mm	mm	mm
200.2403.43	450	Blum Legrabox	anthracite, natural oak	35	412-418	480	153	412-418	480	117
200.2423.43	450	Blum Legrabox	anthracite, natural oak	87	412-418	480	153	412-418	480	117
200.2404.43	500	Blum Legrabox	anthracite, natural oak	35	462-468	480	153	462-468	480	117
200.2424.43	500	Blum Legrabox	anthracite, natural oak	87	462-468	480	153	462-468	480	117
200.2405.43	550	Blum Legrabox	anthracite, natural oak	35	512-518	480	153	512-518	480	117
200.2425.43	550	Blum Legrabox	anthracite, natural oak	87	512-518	480	153	512-518	480	117
200.2406.43	600	Blum Legrabox	anthracite, natural oak	35	562-568	480	153	562-568	480	117
200.2426.43	600	Blum Legrabox	anthracite, natural oak	87	562-568	480	153	562-568	480	117



Concealed extension runner Blum Legrabox NL 450

The full-extension runner guides the system / shelf right out of the unit.

- With Softclose
- High load capacity of 40 kg

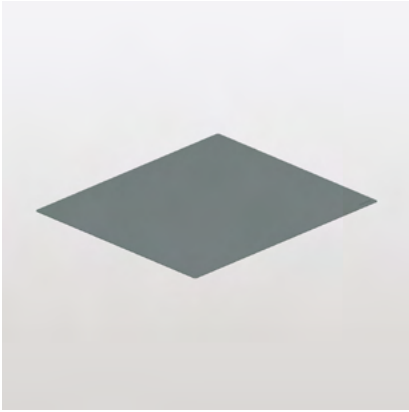
Includes

- 2 slides (left+right)

Technical data

Compatible with: Extendo Fiore, Extendo Libell, Trio Legrabox
 Integrated Softclose: yes
 Integrated Softopen: no
 Load capacity: 0-40 kg
 Drawer runner nominal length (NL): 450 mm
 Material: zinc-plated sheet steel

Art. No.	Model	Colour	Width (B)	Depth (T)	Height (H)
			mm	mm	mm
200.1785.00	Blum Legrabox	zinc-plated	60/60	449	50



Non-slip mat Extendo Libell/Fioro

Lay the non-slip mat on the shelf to stabilise the stored items. To clean the mat, remove it from the shelf and rinse it under running water.

- Keeps items in place on the shelf
- Pleasant feel with a finely textured surface
- Reduces noise when items are stowed
- optional

Includes
1 non-slip mat

Technical data
Compatible with: Extendo Fioro/Libell
Material: silicone

Art. No.	Unit width (EB)	Spacer Type	Colour	Width (B)	Depth (T)	Height (H)
	mm			mm	mm	mm
200.2590.57	450	with/without	oyster white	350	438	1
200.2590.56	450	with/without	walnut grey	350	438	1
200.2591.57	500	with/without	oyster white	400	438	1
200.2591.56	500	with/without	walnut grey	400	438	1
200.2592.57	550	with/without	oyster white	450	438	1
200.2592.56	550	with/without	walnut grey	450	438	1
200.2593.57	600	with/without	oyster white	500	438	1
200.2593.56	600	with/without	walnut grey	500	438	1

EXTENDO LIRO



Pull-out shelf Extendo Liro Blum Legrabox without spacer

Pull out the shelf for easy access from above. Also available with rail inserts.

Includes
 1 pull-out shelf (without slides)
 2 adapters (left+right)

Technical data
 Design line: Liro
 Assembly with ClickFixx: yes
 Load capacity per shelf: 0-30 kg
 Drawer runner nominal length (NL): 500 mm
 Material: powder-coated sheet steel

Art. No.	Unit width (EB)	Model	Colour	Interior width (LB)	Interior depth min. (LT)	Interior height min. (LH)	Width (B)	Depth (T)	Height (H)
	mm			mm	mm	mm	mm	mm	mm
200.2716.01	450	Blum Legrabox	white	412-418	515	152	412-418	513	132
200.2716.12	450	Blum Legrabox	silver	412-418	515	152	412-418	513	132
200.2716.43	450	Blum Legrabox	anthracite	412-418	515	152	412-418	513	132
200.2718.01	500	Blum Legrabox	white	462-468	515	152	462-468	513	132
200.2718.12	500	Blum Legrabox	silver	462-468	515	152	462-468	513	132
200.2718.43	500	Blum Legrabox	anthracite	462-468	515	152	462-468	513	132
200.2720.01	550	Blum Legrabox	white	512-518	515	152	512-518	513	132
200.2720.12	550	Blum Legrabox	silver	512-518	515	152	512-518	513	132
200.2720.43	550	Blum Legrabox	anthracite	512-518	515	152	512-518	513	132
200.2722.01	600	Blum Legrabox	white	562-568	515	152	562-568	513	132
200.2722.12	600	Blum Legrabox	silver	562-568	515	152	562-568	513	132
200.2722.43	600	Blum Legrabox	anthracite	562-568	515	152	562-568	513	132



Concealed extension runner Blum Legrabox NL 500

The full-extension runner guides the system / shelf right out of the unit.

- With Softclose
- High load capacity of 40 kg

Includes
 2 slides (left+right)

Technical data
 Compatible with: Pinello, Extendo Liro
 Integrated Softclose: yes
 Integrated Softopen: no
 Load capacity: 0-40 kg
 Drawer runner nominal length (NL): 500 mm
 Material: zinc-plated sheet steel

Art. No.	Model	Colour	Width (B)	Depth (T)	Height (H)
			mm	mm	mm
200.2515.04	Blum Legrabox	zinc-plated	60/60	499	50



Pull-out shelf Extendo Liro Grass Dynapro without spacer

Pull out the shelf for easy access from above. Also available with rail inserts.

Includes
 1 pull-out shelf (without slides)
 2 adapters (left+right)

Technical data
 Design line: Liro
 Assembly with ClickFixx: yes
 Load capacity per shelf: 0-30 kg
 Drawer runner nominal length (NL): 500 mm
 Material: powder-coated sheet steel

Art. No.	Unit width (EB)	Model	Colour	Interior width (LB)	Interior depth min. (LT)	Interior height min. (LH)	Width (B)	Depth (T)	Height (H)
	mm			mm	mm	mm	mm	mm	mm
200.2736.01	450	Grass Dynapro	white	412-418	519	142	412-418	517	122
200.2736.12	450	Grass Dynapro	silver	412-418	519	142	412-418	517	122
200.2736.43	450	Grass Dynapro	anthracite	412-418	519	142	412-418	517	122
200.2738.01	500	Grass Dynapro	white	462-468	519	142	462-468	517	122
200.2738.12	500	Grass Dynapro	silver	462-468	519	142	462-468	517	122
200.2738.43	500	Grass Dynapro	anthracite	462-468	519	142	462-468	517	122
200.2740.01	550	Grass Dynapro	white	512-518	519	142	512-518	517	122
200.2740.12	550	Grass Dynapro	silver	512-518	519	142	512-518	517	122
200.2740.43	550	Grass Dynapro	anthracite	512-518	519	142	512-518	517	122
200.2742.01	600	Grass Dynapro	white	562-568	519	142	562-568	517	122
200.2742.12	600	Grass Dynapro	silver	562-568	519	142	562-568	517	122
200.2742.43	600	Grass Dynapro	anthracite	562-568	519	142	562-568	517	122



Concealed extension runner Grass Dynapro NL 500

The full-extension runner guides the system / shelf right out of the unit.

- With Softclose
- High load capacity of 40 kg

Includes
 2 slides (left+right)

Technical data
 Compatible with: Extendo Liro
 Integrated Softclose: yes
 Integrated Softopen: no
 Load capacity: 0-40 kg
 Drawer runner nominal length (NL): 500 mm
 Material: zinc-plated sheet steel

Art. No.	Model	Colour	Width (B)	Depth (T)	Height (H)
			mm	mm	mm
200.2770.04	Grass Dynapro	zinc-plated	58/58	500	49



Railing insert Extendo Liro

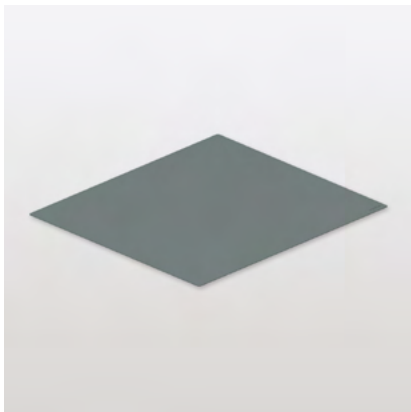
Insert the rail into the slot provided in the Liro shelf

- Solid oak rail inserts
- Optional addition to Liro shelves as a style variation
- Goes well with wooden unit fronts and warm colours
- Can be retrofitted without any need for tools

Includes
1 rail insert

Technical data
Compatible with: Extendo Liro
Design line: Liro
Assembly with ClickFixx: yes
Material: wood

Art. No.	Unit width (EB)	Spacer Type	Colour	Width (B)	Depth (T)	Height (H)
	mm			mm	mm	mm
200.2680.36	450	without	natural oak	397	6	95
200.2680.66	450	without	stained oak	397	6	95
200.2681.36	500	without	natural oak	447	6	95
200.2681.66	500	without	stained oak	447	6	95
200.2682.36	550	without	natural oak	497	6	95
200.2682.66	550	without	stained oak	497	6	95
200.2683.36	600	without	natural oak	547	6	95
200.2683.66	600	without	stained oak	547	6	95



Non-slip mat Extendo Liro

Lay the non-slip mat on the shelf to stabilise the stored items. To clean the mat, remove it from the shelf and rinse it under running water.

- Keeps items in place on the shelf
- Pleasant feel with a finely textured surface
- Reduces noise when items are stowed
- optional

Includes
1 non-slip mat

Technical data
Compatible with: Extendo Liro
Design line: Liro
Material: silicone

Art. No.	Unit width (EB)	Spacer Type	Colour	Width (B)	Depth (T)	Height (H)
	mm			mm	mm	mm
200.2701.57	450	with/without	oyster white	355	455	1
200.2701.56	450	with/without	walnut grey	355	455	1
200.2702.57	500	with/without	oyster white	405	455	1
200.2702.56	500	with/without	walnut grey	405	455	1
200.2703.57	550	with/without	oyster white	455	455	1
200.2703.56	550	with/without	walnut grey	455	455	1
200.2704.57	600	with/without	oyster white	505	455	1
200.2704.56	600	with/without	walnut grey	505	455	1

EXTENDO LIBELL



Pull-out shelf Extendo Libell Universal without spacer

The front of the shelf is directly accessible, and the shelf can be pulled out for easy access to the back.

Includes
 1 pull-out shelf (without slides)
 2 adapters (left+right)

Technical data
 Design line: Libell
 Assembly with ClickFixx: yes
 Load capacity per shelf: 0-30 kg
 Drawer runner nominal length (NL): 450 mm
 Material: powder-coated sheet steel

Art. No.	Unit width (EB)	Model	Colour	Interior width (LB)	Interior depth min. (LT)	Interior height min. (LH)	Width (B)	Depth (T)	Height (H)
	mm			mm	mm	mm	mm	mm	mm
200.2283.01	450	Universal	white	412-418	508	140-148	412-418	508	96
200.2283.12	450	Universal	silver	412-418	508	140-148	412-418	508	96
200.2283.43	450	Universal	anthracite	412-418	508	140-148	412-418	508	96
200.2284.01	500	Universal	white	462-468	508	140-148	462-468	508	96
200.2284.12	500	Universal	silver	462-468	508	140-148	462-468	508	96
200.2284.43	500	Universal	anthracite	462-468	508	140-148	462-468	508	96
200.2285.01	550	Universal	white	512-518	508	140-148	512-518	508	96
200.2285.12	550	Universal	silver	512-518	508	140-148	512-518	508	96
200.2285.43	550	Universal	anthracite	512-518	508	140-148	512-518	508	96
200.2286.01	600	Universal	white	562-568	508	140-148	562-568	508	96
200.2286.12	600	Universal	silver	562-568	508	140-148	562-568	508	96
200.2286.43	600	Universal	anthracite	562-568	508	140-148	562-568	508	96



Concealed extension runner Grass Dynapro NL 450

The full-extension runner guides the system / shelf right out of the unit.

- With Softclose
- High load capacity of 40 kg

Includes
 2 slides (left+right)

Technical data
 Compatible with: Extendo Libell, Extendo Fio, Trio Universal
 Integrated Softclose: yes
 Integrated Softopen: no
 Load capacity: 0-40 kg
 Drawer runner nominal length (NL): 450 mm
 Material: zinc-plated sheet steel

Art. No.	Model	Colour	Width (B)	Depth (T)	Height (H)
			mm	mm	mm
200.1408.04	Grass Dynapro	zinc-plated	58/58	450	49



Pull-out shelf Extendo Libell Blum Legrabox without spacer

The front of the shelf is directly accessible, and the shelf can be pulled out for easy access to the back.

Includes
 1 pull-out shelf (without slides)
 2 adapters (left+right)

Technical data
 Design line: Libell
 Assembly with ClickFixx: yes
 Load capacity per shelf: 0-30 kg
 Drawer runner nominal length (NL): 450 mm
 Material: powder-coated sheet steel

Art. No.	Unit width (EB)	Model	Colour	Interior width (LB)	Interior depth min. (LT)	Interior height min. (LH)	Width (B)	Depth (T)	Height (H)
	mm			mm	mm	mm	mm	mm	mm
200.2303.01	450	Blum Legrabox	white	412-418	480	155	412-418	480	96
200.2303.12	450	Blum Legrabox	silver	412-418	480	155	412-418	480	96
200.2303.43	450	Blum Legrabox	anthracite	412-418	480	155	412-418	480	96
200.2304.01	500	Blum Legrabox	white	462-468	480	155	462-468	480	96
200.2304.12	500	Blum Legrabox	silver	462-468	480	155	462-468	480	96
200.2304.43	500	Blum Legrabox	anthracite	462-468	480	155	462-468	480	96
200.2305.01	550	Blum Legrabox	white	512-518	480	155	512-518	480	96
200.2305.12	550	Blum Legrabox	silver	512-518	480	155	512-518	480	96
200.2305.43	550	Blum Legrabox	anthracite	512-518	480	155	512-518	480	96
200.2306.01	600	Blum Legrabox	white	562-568	480	155	562-568	480	96
200.2306.12	600	Blum Legrabox	silver	562-568	480	155	562-568	480	96
200.2306.43	600	Blum Legrabox	anthracite	562-568	480	155	562-568	480	96



Concealed extension runner Blum Legrabox NL 450

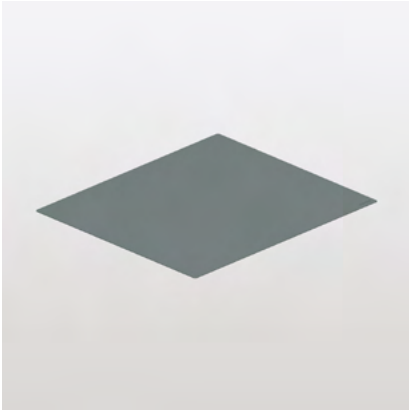
The full-extension runner guides the system / shelf right out of the unit.

- With Softclose
- High load capacity of 40 kg

Includes
 2 slides (left+right)

Technical data
 Compatible with: Extendo Fioro, Extendo Libell, Trio Legrabox
 Integrated Softclose: yes
 Integrated Softopen: no
 Load capacity: 0-40 kg
 Drawer runner nominal length (NL): 450 mm
 Material: zinc-plated sheet steel

Art. No.	Model	Colour	Width (B)	Depth (T)	Height (H)
			mm	mm	mm
200.1785.00	Blum Legrabox	zinc-plated	60/60	449	50



Non-slip mat Extendo Libell/Fioro

Lay the non-slip mat on the shelf to stabilise the stored items. To clean the mat, remove it from the shelf and rinse it under running water.

- Keeps items in place on the shelf
- Pleasant feel with a finely textured surface
- Reduces noise when items are stowed
- optional

Includes
1 non-slip mat

Technical data
Compatible with: Extendo Fioro/Libell
Material: silicone

Art. No.	Unit width (EB)	Spacer Type	Colour	Width (B)	Depth (T)	Height (H)
	mm			mm	mm	mm
200.2590.57	450	with/without	oyster white	350	438	1
200.2590.56	450	with/without	walnut grey	350	438	1
200.2591.57	500	with/without	oyster white	400	438	1
200.2591.56	500	with/without	walnut grey	400	438	1
200.2592.57	550	with/without	oyster white	450	438	1
200.2592.56	550	with/without	walnut grey	450	438	1
200.2593.57	600	with/without	oyster white	500	438	1
200.2593.56	600	with/without	walnut grey	500	438	1

EXTENDO ACCESSORIES



Click Stop locking mechanism set

The extended shelf locks automatically. To unlock it, simply pull it out again with one hand and the shelf moves back to its starting position.

Includes
2 guiding cams for side wall (left+right)
2 locking units for pull-out shelves (left+right)

Technical data
Compatible with: Extendo, wooden pull-out shelves, Trio Libell
Load capacity per shelf: 0-18 kg
Material: plastic

Art. No.	Model	Colour	Width (B)	Depth (T)	Height (H)
			mm	mm	mm
200.2666.51	right+left	white	178	18	55
200.2666.43	right+left	anthracite	178	18	55



Punching template Click Stop

Punching template for drilling the holes to install Click Stop

- An easy way to mark the holes needed for securing the guiding cam – no need for measuring
- optional

Includes
1 punching template

Technical data
Compatible with: Click Stop for Extendo
Material: powder-coated sheet steel

Art. No.	Colour	Width (B)	Depth (T)	Height (H)
		mm	mm	mm
200.2465.12	silver	187	120	17



Extra shelf Extendo

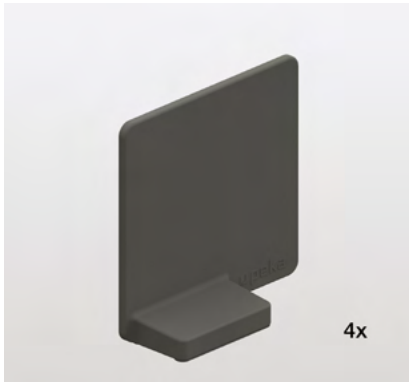
Position the extra shelf on the shelf and adjust to the required angle – no tools required.

- An extra level for dishes, pot lids, shoes, accessories, etc.
- Attaches magnetically to the base of the shelf
- Shelf can be tilted to three different positions
- optional

Includes
1 extra shelf

Technical data
Compatible with: Extendo
Material: powder-coated sheet steel/ plastic

Art. No.	Unit width (EB)	Spacer Type	Colour	Width (B)	Depth (T)	Height (H)
	mm			mm	mm	mm
200.1447.01	550	without	white	485	229	149/168/182
200.1447.12	550	without	silver	485	229	149/168/182
200.1447.43	550	without	anthracite	485	229	149/168/182
200.1449.01	600	without	white	535	229	149/168/182
200.1449.12	600	without	silver	535	229	149/168/182
200.1449.43	600	without	anthracite	535	229	149/168/182



Divider set magnetic

Position the dividers on the base or wall of a metal shelf as required.

- For dividing the shelf into compartments to suit users' needs
- Keeps items in place on the shelf
- Attaches magnetically to the base or the side wall of the metal shelf
- optional

Includes
4 dividers

Technical data
Material: plastic

Art. No.	Unit width min. (EB)	Colour	Width (B)	Depth (T)	Height (H)
	mm		mm	mm	mm
200.2543.51	150	white	77.5	25/3	76
200.2543.52	150	grey	77.5	25/3	76
200.2543.43	150	anthracite	77.5	25/3	76



Wooden box set low 500-600 Extendo

Position wooden boxes on the shelf as required and fix them together with metal clips.

- For dividing the shelf into compartments to suit users' needs
- Possible application: groceries, cutlery, writing utensils, jewellery and accessories, etc.
- optional
- Can be retrofitted without any need for tools

Includes
1 long box (446 x 150 x 50 mm)
3 small boxes (247 x 148 x 50 mm)
2 metal clips

Technical data
Compatible with: Extendo, Trio Libell
Material: wood

Art. No.	Unit width (EB)	Colour	Width (B)	Depth (T)	Height (H)	Status
	mm		mm	mm	mm	
200.1675.36	500-600	natural oak	478	446	50	while stocks last



Wooden box set high 500-600 Extendo

Position wooden boxes on the shelf as required and fix them together with metal clips.

- For dividing the shelf into compartments to suit users' needs
- Possible application: groceries, cutlery, writing utensils, jewellery and accessories, etc.
- optional
- Can be retrofitted without any need for tools

Includes
1 long box (446 x 150 x 87 mm)
1 small box (247 x 148 x 87 mm)
1 large box (247 x 296 x 87 mm)
1 metal clip

Technical data
Compatible with: Extendo, Trio Libell
Material: wood

Art. No.	Unit width (EB)	Colour	Width (B)	Depth (T)	Height (H)	Status
	mm		mm	mm	mm	
200.1676.36	500-600	natural oak	478	446	87	while stocks last



Shelf set

Trio

Trio divides the storage space into door shelves and unit shelving, like in a fridge. The unit's bottom two shelves are pull-out Extendo shelves.

The Trio shelf set lets you create an extremely convenient and user-friendly cabinet. The upper section of the unit features door shelves combined with shortened fitted shelves, while Extendo pull-out shelves are used at the bottom. This means that all items are easy to see and reach, wherever they're stored in the cabinet. Extendo can also be operated from above and, when combined with the Click Stop locking mechanism for pull-outs, can be transformed into a work surface for heavy kitchen appliances. Whether you're storing groceries, laundry or tableware, you won't be short of space: Trio makes full use of the unit volume thanks to its thin-walled metal shelves.

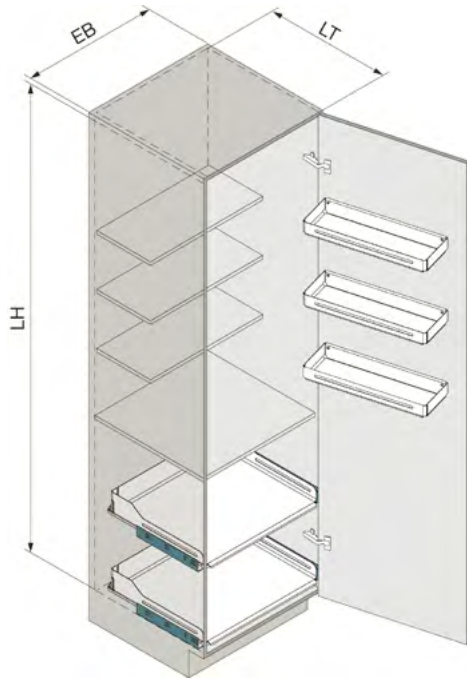


FEATURES AND BENEFITS

- + On opening the door, you have a full overview and immediate access to the contents
- + Pull-out lower shelves and split upper shelves make it easy to reach everything
- + Simple, low-cost technology that makes larger units much more user-friendly
- + Uses every last inch of space across the entire unit
- + Extendo pull-out shelves: easy to load and unload from above
- + The shelves' rounded corners and edges make them easy to clean
- + Extendo pull-out shelves: perfect for storing heavy kitchen appliances
- + The universal larder unit pull-out for kitchens, living rooms and dressing rooms
- + Removable non-slip mats available as an option
- + Maximum use of space thanks to thin-walled yet extremely sturdy metal shelves



TECHNICAL DATA



Design line	Libell
Handle-free fronts	optional
Barrier-free	yes
Integrated Softclose	no
Integrated Softopen	no
Type	1900
Unit width (EB)	600 mm
Model	Universal/Blum Legrabox
Colour	white/silver/anthracite
Load capacity	0-69 kg
Interior width (LB)	562-568 mm
Interior depth min. (LT)	508 mm
Interior height min. (LH)	1900 mm

TECHNICAL CHARACTERISTICS

- ▶ Suitable for all unit heights: Extendo pull-out shelves or fixed shelves can be added at any time
- ▶ Push-to-open mechanism available as an option for handle-free fronts
- ▶ Combined with Click Stop, Extendo pull-out shelves can be temporarily transformed into a fixed work surface
- ▶ More efficient and cheaper than drawers when it comes to using storage space
- ▶ Maintenance-free mechanism
- ▶ Quick and easy to install
- ▶ No front adjustment necessary
- ▶ Easy planning, as Trio fits regardless of the runner and the side panel thicknesses



Shelf set Trio Universal

Trio divides the storage space into door shelves and unit shelving, like in a fridge. The unit's bottom two shelves are pull-out Extendo shelves.

Includes

3 door shelves incl. assembly material
2 Extendo pull-out shelves with 2 adapters (left+right), 1 spacer

Technical data

Design line: Libell
Integrated Softclose: no
Integrated Softopen: no
Assembly with ClickFixx: no
Load capacity: 0-69 kg
Load capacity per shelf: 0-30 kg
Material: powder-coated sheet steel

Art. No.	Type	Unit width (EB)	Model	Colour	Interior width (LB)	Interior depth min. (LT)	Interior height min. (LH)	Width (B)	Depth (T)	Height (H)
		mm			mm	mm	mm	mm	mm	mm
100.1153.01	1900	600	Universal	white	562-568	508	1900	488/525	152/508	58/96
100.1153.12	1900	600	Universal	silver	562-568	508	1900	488/525	152/508	58/96
100.1153.43	1900	600	Universal	anthracite	562-568	508	1900	488/525	152/508	58/96



Shelf set Trio Blum Legrabox

Trio divides the storage space into door shelves and unit shelving, like in a fridge. The unit's bottom two shelves are pull-out Extendo shelves.

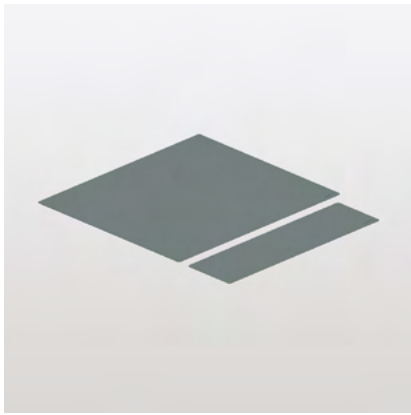
Includes

3 door shelves incl. assembly material
2 Extendo pull-out shelves with 2 adapters (left+right), 1 spacer

Technical data

Design line: Libell
Integrated Softclose: no
Integrated Softopen: no
Assembly with ClickFixx: yes
Load capacity: 0-69 kg
Load capacity per shelf: 0-30 kg
Material: powder-coated sheet steel

Art. No.	Type	Unit width (EB)	Model	Colour	Interior width (LB)	Interior depth min. (LT)	Interior height min. (LH)	Width (B)	Depth (T)	Height (H)
		mm			mm	mm	mm	mm	mm	mm
100.1154.01	1900	600	Blum Legrabox	white	562-568	508	1900	488/525	152/508	58/96
100.1154.12	1900	600	Blum Legrabox	silver	562-568	508	1900	488/525	152/508	58/96
100.1154.43	1900	600	Blum Legrabox	anthracite	562-568	508	1900	488/525	152/508	58/96



Non-slip mat set Trio

Lay the non-slip mat on the shelf to stabilise the stored items. To clean the mat, remove it from the shelf and rinse it under running water.

- Keeps items in place on the shelf
- Pleasant feel with a finely textured surface
- Reduces noise when items are stowed
- optional

Includes
3 non-slip mats for door shelf
2 non-slip mats for Extendo
pull-out shelves

Technical data
Compatible with: Trio Libell
Material: silicone

Art. No.	Type	Unit width (EB)	Colour	Height (H)
		mm		mm
100.1234.57	1900	600	oyster white	1
100.1234.56	1900	600	walnut grey	1



Concealed extension runner Blum Legrabox

The full-extension runner guides the system / shelf right out of the unit.

- With Softclose
- High load capacity of 40 kg

Includes
2 slides (left+right)

Technical data
Compatible with: Extendo Fioro, Extendo Libell, Trio Legrabox
Integrated Softclose: yes
Integrated Softopen: no
Load capacity: 0-40 kg
Drawer runner nominal length (NL): 450 mm
Material: zinc-plated sheet steel

Art. No.	Model	Colour	Width (B)	Depth (T)	Height (H)
			mm	mm	mm
200.1785.00	Blum Legrabox	zinc-plated	60/60	449	50



Concealed extension runner Grass Dynapro

The full-extension runner guides the system / shelf right out of the unit.

- With Softclose
- High load capacity of 40 kg

Includes
2 slides (left+right)

Technical data
Compatible with: Extendo Libell, Extendo Fioro, Trio Universal
Integrated Softclose: yes
Integrated Softopen: no
Load capacity: 0-40 kg
Drawer runner nominal length (NL): 450 mm
Material: zinc-plated sheet steel

Art. No.	Model	Colour	Width (B)	Depth (T)	Height (H)
			mm	mm	mm
200.1408.04	Grass Dynapro	zinc-plated	58/58	450	49



Click Stop locking mechanism set

The extended shelf locks automatically. To unlock it, simply pull it out again with one hand and the shelf moves back to its starting position.

Includes

2 guiding cams for side wall (left+right)
2 locking units for pull-out shelves (left+right)

Technical data

Compatible with: Extendo, wooden pull-out shelves, Trio Libell
Load capacity per shelf: 0-18 kg
Material: plastic

Art. No.	Model	Colour	Width (B)	Depth (T)	Height (H)
			mm	mm	mm
200.2666.51	right+left	white	178	18	55
200.2666.43	right+left	anthracite	178	18	55



Spacer Click Stop

Spacer piece for Click Stop when used with a spacer

- For Click Stop, when used with an Extendo pull-out shelf with spacer
- Can be fitted on the right or left
- optional

Includes

1 spacer

Technical data

Compatible with: Click Stop for Extendo
Material: powder-coated sheet steel

Art. No.	Colour	Width (B)	Depth (T)	Height (H)
		mm	mm	mm
200.2223.21	white	25	92	33
200.2223.43	anthracite	25	92	33



Punching template Click Stop

Punching template for drilling the holes to install Click Stop

- An easy way to mark the holes needed for securing the guiding cam – no need for measuring
- optional

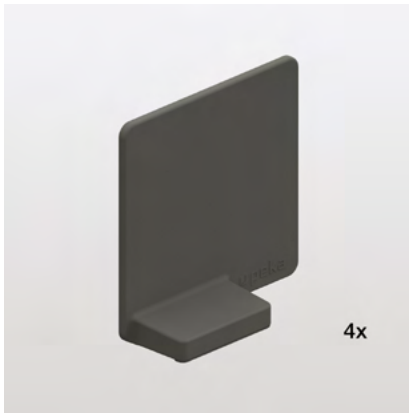
Includes

1 punching template

Technical data

Compatible with: Click Stop for Extendo
Material: powder-coated sheet steel

Art. No.	Colour	Width (B)	Depth (T)	Height (H)
		mm	mm	mm
200.2465.12	silver	187	120	17



Divider set magnetic

Position the dividers on the base or wall of a metal shelf as required.

- For dividing the shelf into compartments to suit users' needs
- Keeps items in place on the shelf
- Attaches magnetically to the base or the side wall of the metal shelf
- optional

Includes
4 dividers

Technical data
Material: plastic

Art. No.	Unit width min. (EB)	Colour	Width (B)	Depth (T)	Height (H)
	mm		mm	mm	mm
200.2543.51	150	white	77.5	25/3	76
200.2543.52	150	grey	77.5	25/3	76
200.2543.43	150	anthracite	77.5	25/3	76



Wooden box set low 500-600 Extendo

Position wooden boxes on the shelf as required and fix them together with metal clips.

- For dividing the shelf into compartments to suit users' needs
- Possible application: groceries, cutlery, writing utensils, jewellery and accessories, etc.
- optional
- Can be retrofitted without any need for tools

Includes

1 long box (446 x 150 x 50 mm)
3 small boxes (247 x 148 x 50 mm)
2 metal clips

Technical data

Compatible with: Extendo, Trio Libell
Material: wood

Art. No.	Unit width (EB)	Colour	Width (B)	Depth (T)	Height (H)	Status
	mm		mm	mm	mm	
200.1675.36	500-600	natural oak	478	446	50	while stocks last



Wooden box set high 500-600 Extendo

Position wooden boxes on the shelf as required and fix them together with metal clips.

- For dividing the shelf into compartments to suit users' needs
- Possible application: groceries, cutlery, writing utensils, jewellery and accessories, etc.
- optional
- Can be retrofitted without any need for tools

Includes

1 long box (446 x 150 x 87 mm)
1 small box (247 x 148 x 87 mm)
1 large box (247 x 296 x 87 mm)
1 metal clip

Technical data

Compatible with: Extendo, Trio Libell
Material: wood

Art. No.	Unit width (EB)	Colour	Width (B)	Depth (T)	Height (H)	Status
	mm		mm	mm	mm	
200.1676.36	500-600	natural oak	478	446	87	while stocks last



Pull-out shelf

Extendo for units with hinged doors

The front of the shelf is directly accessible, and the shelf can be pulled out for easy access to the back.

The versatile Extendo can be used either as a single pull-out shelf in a sideboard or as a complete system in a larder unit. Usually open at the front, Extendo provides a great overview and direct access to items at the front of the unit. When pulled out, it brings contents at the back within easy reach. Extendo takes up almost no unit space thanks to its thin walls made from extremely sturdy sheet steel. Its sleek, streamlined design harmonises perfectly with existing design schemes and is easy to clean. What's more, Extendo is a stylish solution for any application thanks to its range of matching accessories: in a shoe cupboard or wardrobe, in a tableware cabinet or larder unit, or as a pull-out shelf for appliances in the corner of your kitchen.

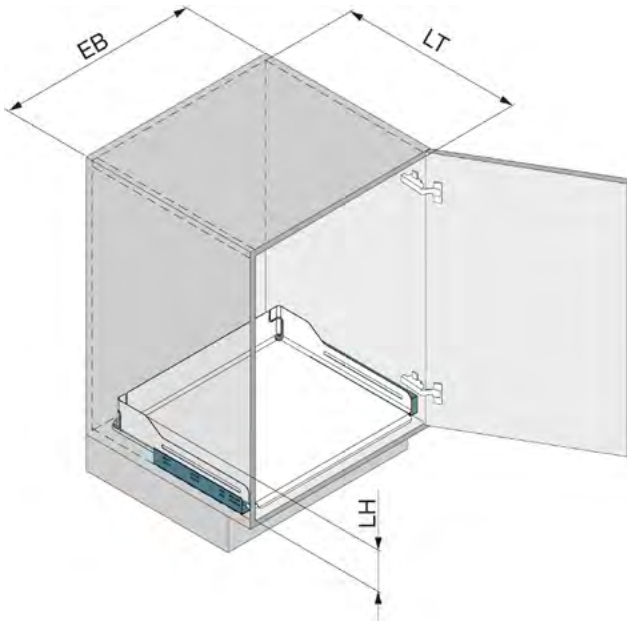


FEATURES AND BENEFITS

- + Direct access and a great overview of contents
- + Can be operated from above thanks to full extension
- + Maximum use of space thanks to thin-walled yet extremely sturdy metal shelves
- + Almost completely recyclable thanks to the use of sheet steel
- + The shelves' sleek design and closed base make them easy to clean
- + Simple design to match any style
- + Applications: Flexible shelf system with shelves that can be fully and individually extended, pull-out shelf for appliances in a dresser unit, temporary fixed work surface



TECHNICAL DATA

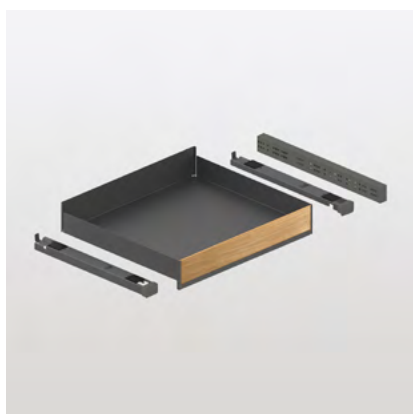


Design line	Fioro/Liro/Libell
Barrier-free	yes
Unit width (EB)	450/500/550/600 mm
Model	Grass Dynapro/Universal/ Blum Legrabox
Colour	anthracite, natural oak/white/ silver/anthracite
Interior width (LB)	412-418/462-468/512-518/ 562-568 mm
Interior depth min. (LT)	508/515/519 mm
Interior height min. (LH)	138-146/140-148/142/152/153/ 155 mm

TECHNICAL CHARACTERISTICS

- ▶ Ingenious installation system with adapter, making it easy to attach to and remove from any runner
- ▶ With optional accessories, it can be used for storing clothes, shoes, tableware or groceries
- ▶ Combined with Click Stop, Extendo can be temporarily transformed into a fixed work surface
- ▶ Removable non-slip mats available as an option
- ▶ With spacer for doors with standard hinges (110° opening angle)
- ▶ Can be used with a range of sliding systems thanks to different runner adapters (excl. Blum Movento)
- ▶ Suitable for 16- or 19-mm-thick side panel

EXTENDO FIORO



Pull-out shelf Extendo Fiore Universal with spacer

The front of the shelf is directly accessible, and the shelf can be pulled out for easy access to the back.

Includes

1 pull-out shelf incl. rail insert (without slides)
2 adapters (left+right)
1 spacer (2 pieces for units with widths from 900 mm)

Technical data

Design line: Fiore
Assembly with ClickFixx: yes
Load capacity per shelf: 0-30 kg
Drawer runner nominal length (NL): 450 mm
Material: powder-coated sheet steel/wood

Art. No.	Unit width (EB)	Model	Colour	Rail height	Interior width (LB)	Interior depth min. (LT)	Interior height min. (LH)	Width (B)	Depth (T)	Height (H)
	mm			mm	mm	mm	mm	mm	mm	mm
200.2353.43	450	Universal	anthracite, natural oak	35	412-418	508	138-146	412-418	508	117
200.2373.43	450	Universal	anthracite, natural oak	87	412-418	508	138-146	412-418	508	117
200.2354.43	500	Universal	anthracite, natural oak	35	462-468	508	138-146	462-468	508	117
200.2374.43	500	Universal	anthracite, natural oak	87	462-468	508	138-146	462-468	508	117
200.2355.43	550	Universal	anthracite, natural oak	35	512-518	508	138-146	512-518	508	117
200.2375.43	550	Universal	anthracite, natural oak	87	512-518	508	138-146	512-518	508	117
200.2356.43	600	Universal	anthracite, natural oak	35	562-568	508	138-146	562-568	508	117
200.2376.43	600	Universal	anthracite, natural oak	87	562-568	508	138-146	562-568	508	117



Concealed extension runner Grass Dynapro NL 450

The full-extension runner guides the system / shelf right out of the unit.

- With Softclose
- High load capacity of 40 kg

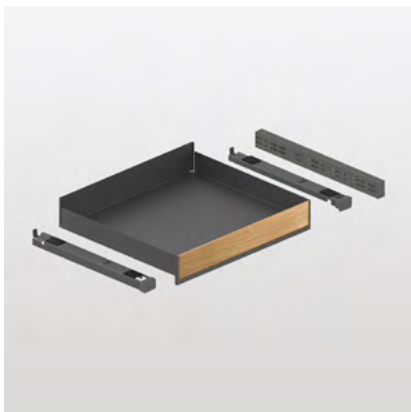
Includes

2 slides (left+right)

Technical data

Compatible with: Extendo Libell, Extendo Fiore, Trio Universal
Integrated Softclose: yes
Integrated Softopen: no
Load capacity: 0-40 kg
Drawer runner nominal length (NL): 450 mm
Material: zinc-plated sheet steel

Art. No.	Model	Colour	Width (B)	Depth (T)	Height (H)
			mm	mm	mm
200.1408.04	Grass Dynapro	zinc-plated	58/58	450	49



Pull-out shelf Extendo Fiore Blum Legrabox with spacer

The front of the shelf is directly accessible, and the shelf can be pulled out for easy access to the back.

Includes

1 pull-out shelf incl. rail insert (without slides)
2 adapters (left+right)
1 spacer (2 pieces for units with widths from 900 mm)

Technical data

Design line: Fiore
Assembly with ClickFixx: yes
Load capacity per shelf: 0-30 kg
Drawer runner nominal length (NL): 450 mm
Material: powder-coated sheet steel/wood

Art. No.	Unit width (EB)	Model	Colour	Rail height	Interior width (LB)	Interior depth min. (LT)	Interior height min. (LH)	Width (B)	Depth (T)	Height (H)
	mm			mm	mm	mm	mm	mm	mm	mm
200.2413.43	450	Blum Legrabox	anthracite, natural oak	35	412-418	508	153	412-418	508	117
200.2433.43	450	Blum Legrabox	anthracite, natural oak	87	412-418	508	153	412-418	508	117
200.2414.43	500	Blum Legrabox	anthracite, natural oak	35	462-468	508	153	462-468	508	117
200.2434.43	500	Blum Legrabox	anthracite, natural oak	87	462-468	508	153	462-468	508	117
200.2415.43	550	Blum Legrabox	anthracite, natural oak	35	512-518	508	153	512-518	508	117
200.2435.43	550	Blum Legrabox	anthracite, natural oak	87	512-518	508	153	512-518	508	117
200.2416.43	600	Blum Legrabox	anthracite, natural oak	35	562-568	508	153	562-568	508	117
200.2436.43	600	Blum Legrabox	anthracite, natural oak	87	562-568	508	153	562-568	508	117



Concealed extension runner Blum Legrabox NL 450

The full-extension runner guides the system / shelf right out of the unit.

- With Softclose
- High load capacity of 40 kg

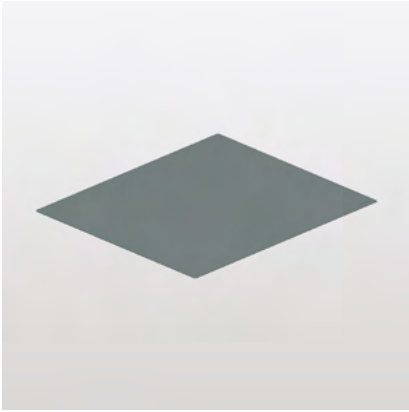
Includes

2 slides (left+right)

Technical data

Compatible with: Extendo Fiore, Extendo Libell, Trio Legrabox
Integrated Softclose: yes
Integrated Softopen: no
Load capacity: 0-40 kg
Drawer runner nominal length (NL): 450 mm
Material: zinc-plated sheet steel

Art. No.	Model	Colour	Width (B)	Depth (T)	Height (H)
			mm	mm	mm
200.1785.00	Blum Legrabox	zinc-plated	60/60	449	50



Non-slip mat Extendo Libell/Fioro

Lay the non-slip mat on the shelf to stabilise the stored items. To clean the mat, remove it from the shelf and rinse it under running water.

- Keeps items in place on the shelf
- Pleasant feel with a finely textured surface
- Reduces noise when items are stowed
- optional

Includes
1 non-slip mat

Technical data
Compatible with: Extendo Fioro/Libell
Material: silicone

Art. No.	Unit width (EB)	Spacer Type	Colour	Width (B)	Depth (T)	Height (H)
	mm			mm	mm	mm
200.2590.57	450	with/without	oyster white	350	438	1
200.2590.56	450	with/without	walnut grey	350	438	1
200.2591.57	500	with/without	oyster white	400	438	1
200.2591.56	500	with/without	walnut grey	400	438	1
200.2592.57	550	with/without	oyster white	450	438	1
200.2592.56	550	with/without	walnut grey	450	438	1
200.2593.57	600	with/without	oyster white	500	438	1
200.2593.56	600	with/without	walnut grey	500	438	1

EXTENDO FIORO



Pull-out shelf Extendo Liro Blum Legrabox with spacer

Pull out the shelf for easy access from above. Also available with rail inserts.

Includes

- 1 pull-out shelf (without slides)
- 2 adapters (left+right)
- 1 spacer (2 pieces for units with widths from 900 mm)

Technical data

Design line: Liro
 Assembly with ClickFixx: yes
 Load capacity per shelf: 0-30 kg
 Drawer runner nominal length (NL): 500 mm
 Material: powder-coated sheet steel

Art. No.	Unit width (EB)	Model	Colour	Interior width (LB)	Interior depth min. (LT)	Interior height min. (LH)	Width (B)	Depth (T)	Height (H)
	mm			mm	mm	mm	mm	mm	mm
200.2717.01	450	Blum Legrabox	white	412-418	515	152	412-418	513	132
200.2717.12	450	Blum Legrabox	silver	412-418	515	152	412-418	513	132
200.2717.43	450	Blum Legrabox	anthracite	412-418	515	152	412-418	513	132
200.2719.01	500	Blum Legrabox	white	462-468	515	152	462-468	513	132
200.2719.12	500	Blum Legrabox	silver	462-468	515	152	462-468	513	132
200.2719.43	500	Blum Legrabox	anthracite	462-468	515	152	462-468	513	132
200.2721.01	550	Blum Legrabox	white	512-518	515	152	512-518	513	132
200.2721.12	550	Blum Legrabox	silver	512-518	515	152	512-518	513	132
200.2721.43	550	Blum Legrabox	anthracite	512-518	515	152	512-518	513	132
200.2723.01	600	Blum Legrabox	white	562-568	515	152	562-568	513	132
200.2723.12	600	Blum Legrabox	silver	562-568	515	152	562-568	513	132
200.2723.43	600	Blum Legrabox	anthracite	562-568	515	152	562-568	513	132



Concealed extension runner Blum Legrabox NL 500

The full-extension runner guides the system / shelf right out of the unit.

- With Softclose
- High load capacity of 40 kg

Includes

- 2 slides (left+right)

Technical data

Compatible with: Pinello, Extendo Liro
 Integrated Softclose: yes
 Integrated Softopen: no
 Load capacity: 0-40 kg
 Drawer runner nominal length (NL): 500 mm
 Material: zinc-plated sheet steel

Art. No.	Model	Colour	Width (B)	Depth (T)	Height (H)
			mm	mm	mm
200.2515.04	Blum Legrabox	zinc-plated	60/60	499	50



Pull-out shelf Extendo Liro Grass Dynapro with spacer

Pull out the shelf for easy access from above. Also available with rail inserts.

Includes

- 1 pull-out shelf (without slides)
- 2 adapters (left+right)
- 1 spacer (2 pieces for units with widths from 900 mm)

Technical data

Design line: Liro
 Assembly with ClickFixx: yes
 Load capacity per shelf: 0-30 kg
 Drawer runner nominal length (NL): 500 mm
 Material: powder-coated sheet steel

Art. No.	Unit width (EB)	Model	Colour	Interior width (LB)	Interior depth min. (LT)	Interior height min. (LH)	Width (B)	Depth (T)	Height (H)
	mm			mm	mm	mm	mm	mm	mm
200.2737.01	450	Grass Dynapro	white	412-418	519	142	412-418	517	122
200.2737.12	450	Grass Dynapro	silver	412-418	519	142	412-418	517	122
200.2737.43	450	Grass Dynapro	anthracite	412-418	519	142	412-418	517	122
200.2739.01	500	Grass Dynapro	white	462-468	519	142	462-468	517	122
200.2739.12	500	Grass Dynapro	silver	462-468	519	142	462-468	517	122
200.2739.43	500	Grass Dynapro	anthracite	462-468	519	142	462-468	517	122
200.2741.01	550	Grass Dynapro	white	512-518	519	142	512-518	517	122
200.2741.12	550	Grass Dynapro	silver	512-518	519	142	512-518	517	122
200.2741.43	550	Grass Dynapro	anthracite	512-518	519	142	512-518	517	122
200.2743.01	600	Grass Dynapro	white	562-568	519	142	562-568	517	122
200.2743.12	600	Grass Dynapro	silver	562-568	519	142	562-568	517	122
200.2743.43	600	Grass Dynapro	anthracite	562-568	519	142	562-568	517	122



Concealed extension runner Grass Dynapro NL 500

The full-extension runner guides the system / shelf right out of the unit.

- With Softclose
- High load capacity of 40 kg

Includes

- 2 slides (left+right)

Technical data

Compatible with: Extendo Liro
 Integrated Softclose: yes
 Integrated Softopen: no
 Load capacity: 0-40 kg
 Drawer runner nominal length (NL): 500 mm
 Material: zinc-plated sheet steel

Art. No.	Model	Colour	Width (B)	Depth (T)	Height (H)
			mm	mm	mm
200.2770.04	Grass Dynapro	zinc-plated	58/58	500	49



Railing insert Extendo Liro

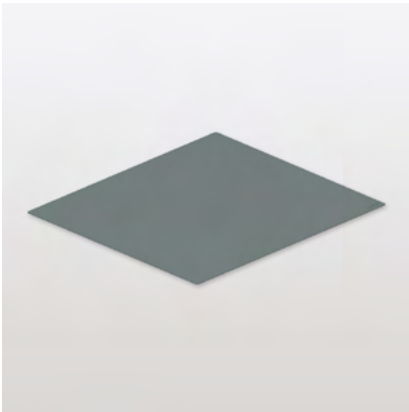
Insert the rail into the slot provided in the Liro shelf

- Solid oak rail inserts
- Optional addition to Liro shelves as a style variation
- Goes well with wooden unit fronts and warm colours
- Can be retrofitted without any need for tools

Includes
1 rail insert

Technical data
Compatible with: Extendo Liro
Design line: Liro
Assembly with ClickFixx: yes
Material: wood

Art. No.	Unit width (EB)	Spacer Type	Colour	Width (B)	Depth (T)	Height (H)
	mm			mm	mm	mm
200.2690.36	450	with	natural oak	372	6	95
200.2690.66	450	with	stained oak	372	6	95
200.2691.36	500	with	natural oak	422	6	95
200.2691.66	500	with	stained oak	422	6	95
200.2692.36	550	with	natural oak	472	6	95
200.2692.66	550	with	stained oak	472	6	95
200.2693.36	600	with	natural oak	522	6	95
200.2693.66	600	with	stained oak	522	6	95



Non-slip mat Extendo Liro

Lay the non-slip mat on the shelf to stabilise the stored items. To clean the mat, remove it from the shelf and rinse it under running water.

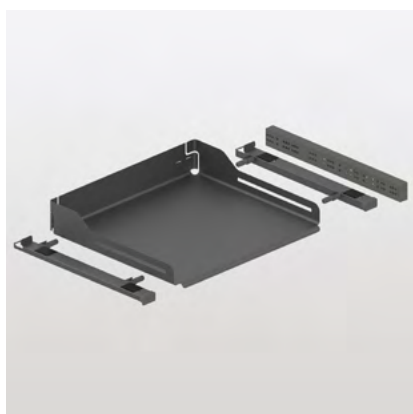
- Keeps items in place on the shelf
- Pleasant feel with a finely textured surface
- Reduces noise when items are stowed
- optional

Includes
1 non-slip mat

Technical data
Compatible with: Extendo Liro
Design line: Liro
Material: silicone

Art. No.	Unit width (EB)	Spacer Type	Colour	Width (B)	Depth (T)	Height (H)
	mm			mm	mm	mm
200.2701.57	450	with/without	oyster white	355	455	1
200.2701.56	450	with/without	walnut grey	355	455	1
200.2702.57	500	with/without	oyster white	405	455	1
200.2702.56	500	with/without	walnut grey	405	455	1
200.2703.57	550	with/without	oyster white	455	455	1
200.2703.56	550	with/without	walnut grey	455	455	1
200.2704.57	600	with/without	oyster white	505	455	1
200.2704.56	600	with/without	walnut grey	505	455	1

EXTENDO LIBELL



Pull-out shelf Extendo Libell Universal with spacer

The front of the shelf is directly accessible, and the shelf can be pulled out for easy access to the back.

Includes

1 pull-out shelf (without slides)
2 adapters (left+right)
1 spacer (2 pieces for units with widths from 900 mm)

Technical data

Design line: Libell
Assembly with ClickFixx: yes
Load capacity per shelf: 0-30 kg
Drawer runner nominal length (NL): 450 mm
Material: powder-coated sheet steel

Art. No.	Unit width (EB)	Model	Colour	Interior width (LB)	Interior depth min. (LT)	Interior height min. (LH)	Width (B)	Depth (T)	Height (H)
	mm			mm	mm	mm	mm	mm	mm
200.2293.01	450	Universal	white	412-418	508	140-148	412-418	508	96
200.2293.12	450	Universal	silver	412-418	508	140-148	412-418	508	96
200.2293.43	450	Universal	anthracite	412-418	508	140-148	412-418	508	96
200.2294.01	500	Universal	white	462-468	508	140-148	462-468	508	96
200.2294.12	500	Universal	silver	462-468	508	140-148	462-468	508	96
200.2294.43	500	Universal	anthracite	462-468	508	140-148	462-468	508	96
200.2295.01	550	Universal	white	512-518	508	140-148	512-518	508	96
200.2295.12	550	Universal	silver	512-518	508	140-148	512-518	508	96
200.2295.43	550	Universal	anthracite	512-518	508	140-148	512-518	508	96
200.2296.01	600	Universal	white	562-568	508	140-148	562-568	508	96
200.2296.12	600	Universal	silver	562-568	508	140-148	562-568	508	96
200.2296.43	600	Universal	anthracite	562-568	508	140-148	562-568	508	96



Concealed extension runner Grass Dynapro NL 450

The full-extension runner guides the system / shelf right out of the unit.

- With Softclose
- High load capacity of 40 kg

Includes

2 slides (left+right)

Technical data

Compatible with: Extendo Libell, Extendo Fiore, Trio Universal
Integrated Softclose: yes
Integrated Softopen: no
Load capacity: 0-40 kg
Drawer runner nominal length (NL): 450 mm
Material: zinc-plated sheet steel

Art. No.	Model	Colour	Width (B)	Depth (T)	Height (H)
			mm	mm	mm
200.1408.04	Grass Dynapro	zinc-plated	58/58	450	49



Pull-out shelf Extendo Libell Blum Legrabox with spacer

The front of the shelf is directly accessible, and the shelf can be pulled out for easy access to the back.

Includes

- 1 pull-out shelf (without slides)
- 2 adapters (left+right)
- 1 spacer (2 pieces for units with widths from 900 mm)

Technical data

Design line: Libell
 Assembly with ClickFixx: yes
 Load capacity per shelf: 0-30 kg
 Drawer runner nominal length (NL): 450 mm
 Material: powder-coated sheet steel

Art. No.	Unit width (EB)	Model	Colour	Interior width (LB)	Interior depth min. (LT)	Interior height min. (LH)	Width (B)	Depth (T)	Height (H)
	mm			mm	mm	mm	mm	mm	mm
200.2313.01	450	Blum Legrabox	white	412-418	508	155	412-418	508	96
200.2313.12	450	Blum Legrabox	silver	412-418	508	155	412-418	508	96
200.2313.43	450	Blum Legrabox	anthracite	412-418	508	155	412-418	508	96
200.2314.01	500	Blum Legrabox	white	462-468	508	155	462-468	508	96
200.2314.12	500	Blum Legrabox	silver	462-468	508	155	462-468	508	96
200.2314.43	500	Blum Legrabox	anthracite	462-468	508	155	462-468	508	96
200.2315.01	550	Blum Legrabox	white	512-518	508	155	512-518	508	96
200.2315.12	550	Blum Legrabox	silver	512-518	508	155	512-518	508	96
200.2315.43	550	Blum Legrabox	anthracite	512-518	508	155	512-518	508	96
200.2316.01	600	Blum Legrabox	white	562-568	508	155	562-568	508	96
200.2316.12	600	Blum Legrabox	silver	562-568	508	155	562-568	508	96
200.2316.43	600	Blum Legrabox	anthracite	562-568	508	155	562-568	508	96



Concealed extension runner Blum Legrabox NL 450

The full-extension runner guides the system / shelf right out of the unit.

- With Softclose
- High load capacity of 40 kg

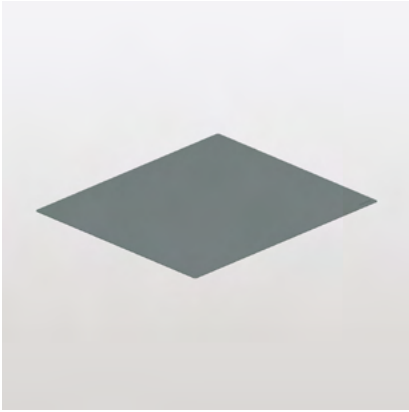
Includes

- 2 slides (left+right)

Technical data

Compatible with: Extendo Fioro, Extendo Libell, Trio Legrabox
 Integrated Softclose: yes
 Integrated Softopen: no
 Load capacity: 0-40 kg
 Drawer runner nominal length (NL): 450 mm
 Material: zinc-plated sheet steel

Art. No.	Model	Colour	Width (B)	Depth (T)	Height (H)
			mm	mm	mm
200.1785.00	Blum Legrabox	zinc-plated	60/60	449	50



Non-slip mat Extendo Libell/Fioro

Lay the non-slip mat on the shelf to stabilise the stored items. To clean the mat, remove it from the shelf and rinse it under running water.

- Keeps items in place on the shelf
- Pleasant feel with a finely textured surface
- Reduces noise when items are stowed
- optional

Includes
1 non-slip mat

Technical data
Compatible with: Extendo Fioro/Libell
Material: silicone

Art. No.	Unit width (EB)	Spacer Type	Colour	Width (B)	Depth (T)	Height (H)
	mm			mm	mm	mm
200.2590.57	450	with/without	oyster white	350	438	1
200.2590.56	450	with/without	walnut grey	350	438	1
200.2591.57	500	with/without	oyster white	400	438	1
200.2591.56	500	with/without	walnut grey	400	438	1
200.2592.57	550	with/without	oyster white	450	438	1
200.2592.56	550	with/without	walnut grey	450	438	1
200.2593.57	600	with/without	oyster white	500	438	1
200.2593.56	600	with/without	walnut grey	500	438	1

EXTENDO ACCESSORIES



Click Stop locking mechanism set

The extended shelf locks automatically. To unlock it, simply pull it out again with one hand and the shelf moves back to its starting position.

Includes

2 guiding cams for side wall
(left+right)
2 locking units for pull-out shelves
(left+right)

Technical data

Compatible with: Extendo, wooden pull-out shelves, Trio Libell
Load capacity per shelf: 0-18 kg
Material: plastic

Art. No.	Model	Colour	Width (B)	Depth (T)	Height (H)
			mm	mm	mm
200.2666.51	right+left	white	178	18	55
200.2666.43	right+left	anthracite	178	18	55



Spacer Click Stop

Spacer piece for Click Stop when used with a spacer

- For Click Stop, when used with an Extendo pull-out shelf with spacer
- Can be fitted on the right or left
- optional

Includes

1 spacer

Technical data

Compatible with: Click Stop for Extendo
Material: powder-coated sheet steel

Art. No.	Colour	Width (B)	Depth (T)	Height (H)
		mm	mm	mm
200.2223.21	white	25	92	33
200.2223.43	anthracite	25	92	33



Punching template Click Stop

Punching template for drilling the holes to install Click Stop

- An easy way to mark the holes needed for securing the guiding cam – no need for measuring
- optional

Includes

1 punching template

Technical data

Compatible with: Click Stop for Extendo
Material: powder-coated sheet steel

Art. No.	Colour	Width (B)	Depth (T)	Height (H)
		mm	mm	mm
200.2465.12	silver	187	120	17



Extra shelf Extendo

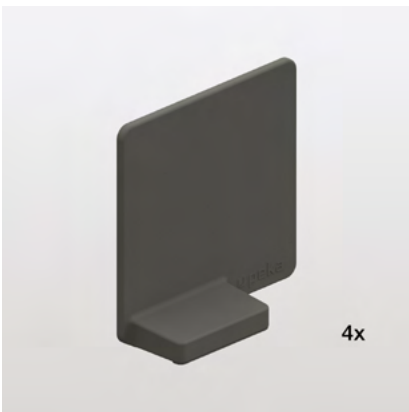
Position the extra shelf on the shelf and adjust to the required angle – no tools required.

- An extra level for dishes, pot lids, shoes, accessories, etc.
- Attaches magnetically to the base of the shelf
- Shelf can be tilted to three different positions
- optional

Includes
1 extra shelf

Technical data
Compatible with: Extendo
Material: powder-coated sheet steel/
plastic

Art. No.	Unit width (EB)	Spacer Type	Colour	Width (B)	Depth (T)	Height (H)
	mm			mm	mm	mm
200.1444.01	450	with	white	360	229	149/168/182
200.1444.12	450	with	silver	360	229	149/168/182
200.1444.43	450	with	anthracite	360	229	149/168/182
200.1448.01	550	with	white	460	229	149/168/182
200.1448.12	550	with	silver	460	229	149/168/182
200.1448.43	550	with	anthracite	460	229	149/168/182
200.1450.01	600	with	white	510	229	149/168/182
200.1450.12	600	with	silver	510	229	149/168/182
200.1450.43	600	with	anthracite	510	229	149/168/182



Divider set magnetic

Position the dividers on the base or wall of a metal shelf as required.

- For dividing the shelf into compartments to suit users' needs
- Keeps items in place on the shelf
- Attaches magnetically to the base or the side wall of the metal shelf
- optional

Includes
4 dividers

Technical data
Material: plastic

Art. No.	Unit width min. (EB)	Colour	Width (B)	Depth (T)	Height (H)
	mm		mm	mm	mm
200.2543.51	150	white	77.5	25/3	76
200.2543.52	150	grey	77.5	25/3	76
200.2543.43	150	anthracite	77.5	25/3	76



Wooden box set low 500-600 Extendo

Position wooden boxes on the shelf as required and fix them together with metal clips.

- For dividing the shelf into compartments to suit users' needs
- Possible application: groceries, cutlery, writing utensils, jewellery and accessories, etc.
- optional
- Can be retrofitted without any need for tools

Includes

1 long box (446 x 150 x 50 mm)
 3 small boxes (247 x 148 x 50 mm)
 2 metal clips

Technical data

Compatible with: Extendo, Trio Libell
 Material: wood

Art. No.	Unit width (EB)	Colour	Width (B)	Depth (T)	Height (H)	Status
	mm		mm	mm	mm	
200.1675.36	500-600	natural oak	478	446	50	while stocks last



Wooden box set high 500-600 Extendo

Position wooden boxes on the shelf as required and fix them together with metal clips.

- For dividing the shelf into compartments to suit users' needs
- Possible application: groceries, cutlery, writing utensils, jewellery and accessories, etc.
- optional
- Can be retrofitted without any need for tools

Includes

1 long box (446 x 150 x 87 mm)
 1 small box (247 x 148 x 87 mm)
 1 large box (247 x 296 x 87 mm)
 1 metal clip

Technical data

Compatible with: Extendo, Trio Libell
 Material: wood

Art. No.	Unit width (EB)	Colour	Width (B)	Depth (T)	Height (H)	Status
	mm		mm	mm	mm	
200.1676.36	500-600	natural oak	478	446	87	while stocks last

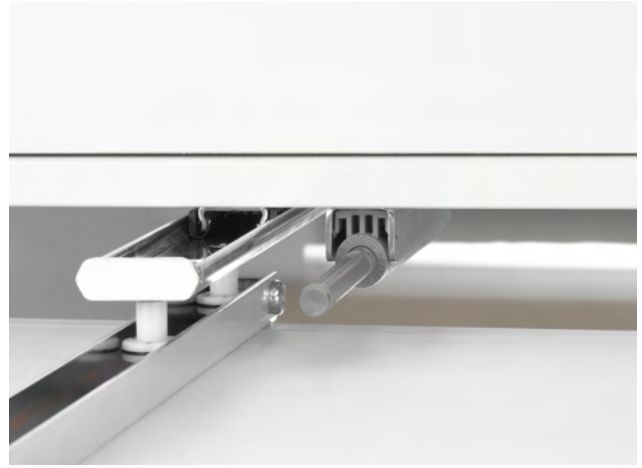


Larder pull-out

Hochschrank Box

The full-extension runner provides the basis for custom-designed pull-out units made of wood.

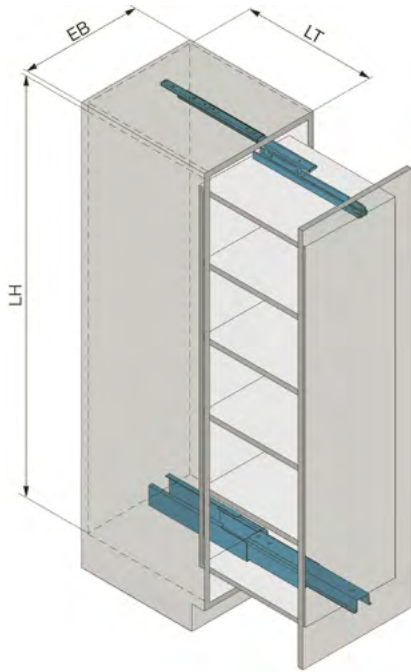
Hochschrank Box is compatible with any kind of pull-out unit. The full-extension pull-out works with an upper and a lower runner, which can be fixed to the unit independently of each other. It has a very high load capacity of 120/150 kg and can be retrofitted with Softclose for smooth closing. Hochschrank Box's simple but robust mechanism is ideal for creative furniture designs and customised interiors. Whether it be for pantry cabinets in the kitchen, under-stairs cupboards, pull-out partitions or units in vehicles, Hochschrank Box is a great choice in any situation.



FEATURES AND BENEFITS

- + Compatible with highly customised wooden furniture in any design
- + Transforms unused recesses, dead space or room dividers into pull-out storage space
- + Continuous back wall allows contents to be stored securely and even stacked
- + Possible application: households, stores, vehicles
- + Applications: medicine cabinets, display cases, wardrobes, shoe cabinets, tool cabinets, under-stairs cupboards, media centres, and more besides
- + Can be combined with all peka housekeeping products

TECHNICAL DATA



Handle-free fronts	no
Barrier-free	no
Integrated Softclose	no
Integrated Softopen	no
Type	390/450/490/530/600/700/800/ 900/1000
Colour	white/zinc-plated
Load capacity	0-120/0-150 kg
Interior width min. (LB)	110 mm
Interior depth min. (LT)	400/460/500/540/610/710/810/ 910/1010 mm
Interior height (LH)	600-2000 mm

TECHNICAL CHARACTERISTICS

- ▶ Softclose available as an option for soft closing
- ▶ Smooth-running, durable and stable slide
- ▶ Maintenance-free system
- ▶ Heavy-duty pull-out offering plenty of scope for creative interiors
- ▶ High load capacity of 150 kg for depths up to 600 mm and 120 kg for depths over 700 mm
- ▶ Long extension length of up to 1 m, making it ideal for very deep units



Full-extension runner Box

The full-extension runner provides the basis for custom-designed pull-out units made of wood.

Includes
 1 full-extension runner
 1 upper slide

Technical data
 Integrated Softclose: no
 Integrated Softopen: no
 Assembly with ClickFixx: no
 Material: zinc-plated sheet steel

Art. No.	Type	Colour	Load capacity	Interior width min. (LB)	Interior depth min. (LT)	Interior height (LH)	Width (B)	Depth (T)	Height (H)
			kg	mm	mm	mm	mm	mm	mm
100.0378.01	390	white	0-150	110	400	600-2000	107	390	128
100.0091.01	450	white	0-150	110	460	600-2000	107	450	128
100.0092.01	490	white	0-150	110	500	600-2000	107	490	128
100.0094.01	530	white	0-150	110	540	600-2000	107	530	128
100.0095.04	600	zinc-plated	0-150	110	610	600-2000	107	600	128
100.0096.04	700	zinc-plated	0-120	110	710	600-2000	107	700	128
100.0097.04	800	zinc-plated	0-120	110	810	600-2000	107	800	128
100.0098.04	900	zinc-plated	0-120	110	910	600-2000	107	900	128
100.0089.04	1000	zinc-plated	0-120	110	1010	600-2000	107	1000	128



Softclose Box

Softclose guides the front panel for the final part of the closing movement.

- Cushions the closing movement
- For smooth and silent closing
- Can be retrofitted
- optional

Includes
 1 Softclose

Technical data
 Compatible with: full-extension runner Box
 Assembly with ClickFixx: no
 Material: plastic

Art. No.	Colour	Width (B)	Depth (T)	Height (H)
		mm	mm	mm
100.0409.04	grey	25	200	25



Base units

Organisation is half the battle! An organised base unit – whatever its width – makes your day-to-day work a lot easier. Innovative solutions are available for any type of unit.

PRODUCT OVERVIEW



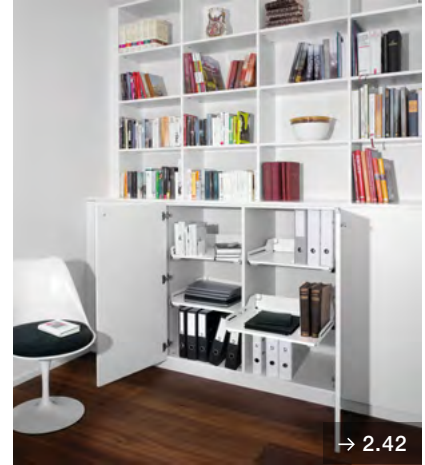
Extendo for units without doors

Flexible pull-out shelf for use in open units, behind sliding doors or doors with zero protrusion hinges



Extendo for units with hinged doors

Flexible pull-out shelf for use behind doors with standard hinges



Extendo with custom widths

Flexible pull-out shelf for use in open units, behind sliding doors or doors with zero protrusion hinges



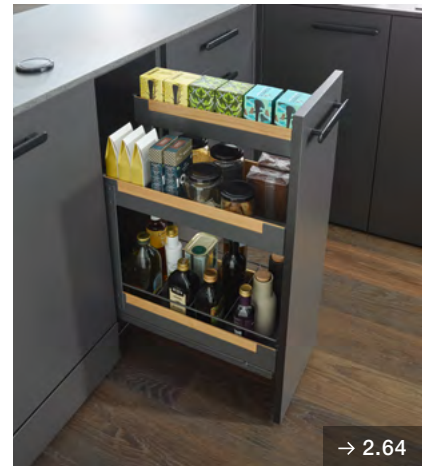
Rivero

System that allows drawers to be opened from both sides, in island units and room dividers



Pinello Spice

Full-extension runner for very narrow base units



Pinello Cargo

Full-extension runner for narrow base units



→ 2.74

Pinello Board

Full-extension runner with tray holder and additional storage space for narrow base units



→ 2.84

Pinello Bread

Full-extension runner with bread bag and additional storage space for narrow base units



→ 2.94

Pinello Towel

Full-extension runner with towel rail and additional storage space for narrow base units



→ 2.104

Pinello Inside

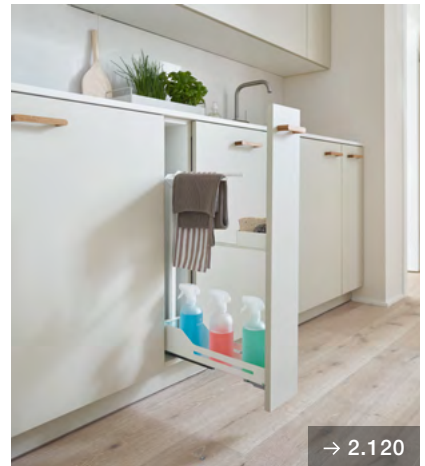
Full-extension system without front attachment for base units



→ 2.112

Snello base unit pull-out

Two-tier pull-out system for narrow base units



→ 2.120

Snello towel rail extension

Right- and left-compatible towel rail pull-out for very narrow base units

PRODUCT OVERVIEW



Slim

Sturdy full-extension system for base units with a width of 150 to 400 mm



Kitchen Tower

Versatile base unit pull-out for kitchens and cleaning cupboards



Kobra

Width-adjustable basket pull-out for any application



Drawer accessories

Handy organisers for drawers



Base unit accessories

Handy helpers for base units



Pull-out shelf

Extendo for units without doors

The front of the shelf is directly accessible, and the shelf can be pulled out for easy access to the back.

The versatile Extendo can be used either as a single pull-out shelf in a sideboard or as a complete system in a larder unit. Usually open at the front, Extendo provides a great overview and direct access to items at the front of the unit. When pulled out, it brings contents at the back within easy reach. Extendo takes up almost no unit space thanks to its thin walls made from extremely sturdy sheet steel. Its sleek, streamlined design harmonises perfectly with existing design schemes and is easy to clean. What's more, Extendo is a stylish solution for any application thanks to its range of matching accessories: in a shoe cupboard or wardrobe, in a tableware cabinet or larder unit, or as a pull-out shelf for appliances in the corner of your kitchen.

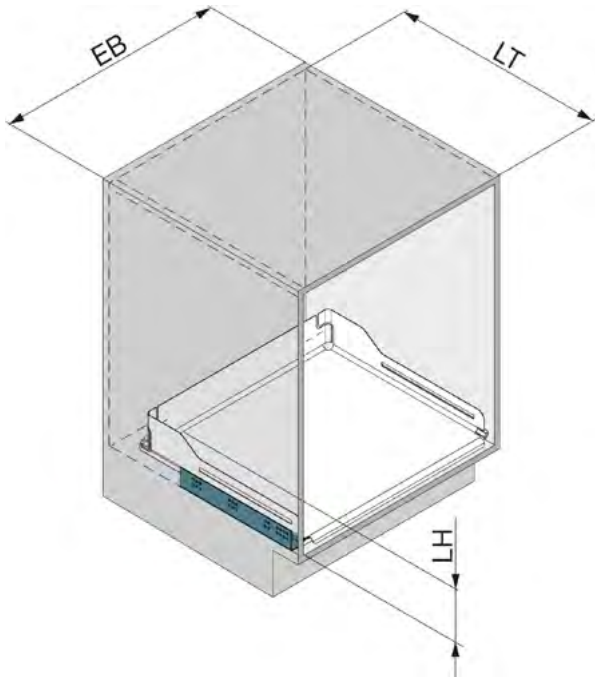


FEATURES AND BENEFITS

- + Direct access and a great overview of contents
- + Can be operated from above thanks to full extension
- + Maximum use of space thanks to thin-walled yet extremely sturdy metal shelves
- + Almost completely recyclable thanks to the use of sheet steel
- + The shelves' sleek design and closed base make them easy to clean
- + Simple design to match any style
- + Applications: Flexible shelf system with shelves that can be fully and individually extended, pull-out shelf for appliances in a dresser unit, temporary fixed work surface



TECHNICAL DATA

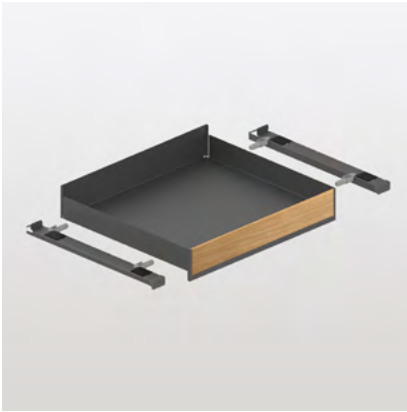


Design line	Fioro/Liro/Libell
Barrier-free	yes
Unit width (EB)	450/500/550/600/900 mm
Model	Grass Dynapro/Universal/ Blum Legrabox
Colour	anthracite, natural oak/white/ silver/anthracite
Interior width (LB)	412-418/462-468/512-518/ 562-568/862-868 mm
Interior depth min. (LT)	515/519/508/480 mm
Interior height min. (LH)	138-146/140-148/142/152/153/ 155 mm

TECHNICAL CHARACTERISTICS

- ▶ Ingenious installation system with adapter, making it easy to attach to and remove from any runner
- ▶ With optional accessories, it can be used for storing clothes, shoes, tableware or groceries
- ▶ Combined with Click Stop, Extendo can be temporarily transformed into a fixed work surface
- ▶ Removable non-slip mats available as an option
- ▶ Without spacer for doorless units, sliding doors or doors with zero protrusion hinges
- ▶ Can be used with a range of sliding systems thanks to different runner adapters (excl. Blum Movento)
- ▶ Suitable for 16- or 19-mm-thick side panel

EXTENDO FIORO



Pull-out shelf Extendo Fiore Universal without spacer

The front of the shelf is directly accessible, and the shelf can be pulled out for easy access to the back.

Includes

1 pull-out shelf incl. rail insert
(without slides)
2 adapters (left+right)

Technical data

Design line: Fiore
Assembly with ClickFixx: yes
Load capacity per shelf: 0-30 kg
Drawer runner nominal length (NL): 450 mm

Art. No.	Unit width (EB)	Model	Colour	Rail height	Interior width (LB)	Interior depth min. (LT)	Interior height min. (LH)	Width (B)	Depth (T)	Height (H)
	mm			mm	mm	mm	mm	mm	mm	mm
200.2343.43	450	Universal	anthracite, natural oak	35	412-418	508	138-146	412-418	508	117
200.2363.43	450	Universal	anthracite, natural oak	87	412-418	508	138-146	412-418	508	117
200.2344.43	500	Universal	anthracite, natural oak	35	462-468	508	138-146	462-468	508	117
200.2364.43	500	Universal	anthracite, natural oak	87	462-468	508	138-146	462-468	508	117
200.2345.43	550	Universal	anthracite, natural oak	35	512-518	508	138-146	512-518	508	117
200.2365.43	550	Universal	anthracite, natural oak	87	512-518	508	138-146	512-518	508	117
200.2346.43	600	Universal	anthracite, natural oak	35	562-568	508	138-146	562-568	508	117
200.2366.43	600	Universal	anthracite, natural oak	87	562-568	508	138-146	562-568	508	117
200.2349.43	900	Universal	anthracite, natural oak	35	862-868	508	138-146	862-868	508	117
200.2369.43	900	Universal	anthracite, natural oak	87	862-868	508	138-146	862-868	508	117



Concealed extension runner Grass Dynapro NL 450

The full-extension runner guides the system / shelf right out of the unit.

- With Softclose
- High load capacity of 40 kg

Includes

2 slides (left+right)

Technical data

Compatible with: Extendo Libell, Extendo Fiore, Trio Universal
Integrated Softclose: yes
Integrated Softopen: no
Load capacity: 0-40 kg
Drawer runner nominal length (NL): 450 mm
Material: zinc-plated sheet steel

Art. No.	Model	Colour	Width (B)	Depth (T)	Height (H)
			mm	mm	mm
200.1408.04	Grass Dynapro	zinc-plated	58/58	450	49



Pull-out shelf Extendo Fiore Blum Legrabox without spacer

The front of the shelf is directly accessible, and the shelf can be pulled out for easy access to the back.

Includes

1 pull-out shelf incl. rail insert
(without slides)
2 adapters (left+right)

Technical data

Design line: Fiore
Assembly with ClickFixx: yes
Load capacity per shelf: 0-30 kg
Drawer runner nominal length (NL): 450 mm
Material: powder-coated sheet steel/wood

Art. No.	Unit width (EB)	Model	Colour	Rail height	Interior width (LB)	Interior depth min. (LT)	Interior height min. (LH)	Width (B)	Depth (T)	Height (H)
	mm			mm	mm	mm	mm	mm	mm	mm
200.2403.43	450	Blum Legrabox	anthracite, natural oak	35	412-418	480	153	412-418	480	117
200.2423.43	450	Blum Legrabox	anthracite, natural oak	87	412-418	480	153	412-418	480	117
200.2404.43	500	Blum Legrabox	anthracite, natural oak	35	462-468	480	153	462-468	480	117
200.2424.43	500	Blum Legrabox	anthracite, natural oak	87	462-468	480	153	462-468	480	117
200.2405.43	550	Blum Legrabox	anthracite, natural oak	35	512-518	480	153	512-518	480	117
200.2425.43	550	Blum Legrabox	anthracite, natural oak	87	512-518	480	153	512-518	480	117
200.2406.43	600	Blum Legrabox	anthracite, natural oak	35	562-568	480	153	562-568	480	117
200.2426.43	600	Blum Legrabox	anthracite, natural oak	87	562-568	480	153	562-568	480	117
200.2409.43	900	Blum Legrabox	anthracite, natural oak	35	862-868	480	153	862-868	480	117
200.2429.43	900	Blum Legrabox	anthracite, natural oak	87	862-868	480	153	862-868	480	117



Concealed extension runner Blum Legrabox NL 450

The full-extension runner guides the system / shelf right out of the unit.

- With Softclose
- High load capacity of 40 kg

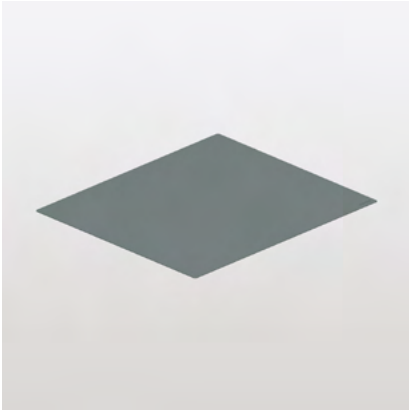
Includes

2 slides (left+right)

Technical data

Compatible with: Extendo Fiore, Extendo Libell, Trio Legrabox
Integrated Softclose: yes
Integrated Softopen: no
Load capacity: 0-40 kg
Drawer runner nominal length (NL): 450 mm
Material: zinc-plated sheet steel

Art. No.	Model	Colour	Width (B)	Depth (T)	Height (H)
			mm	mm	mm
200.1785.00	Blum Legrabox	zinc-plated	60/60	449	50



Non-slip mat Extendo Libell/Fioro

Lay the non-slip mat on the shelf to stabilise the stored items. To clean the mat, remove it from the shelf and rinse it under running water.

- Keeps items in place on the shelf
- Pleasant feel with a finely textured surface
- Reduces noise when items are stowed
- optional

Includes
1 non-slip mat

Technical data
Compatible with: Extendo Fioro/Libell
Material: silicone

Art. No.	Unit width (EB)	Spacer Type	Colour	Width (B)	Depth (T)	Height (H)
	mm			mm	mm	mm
200.2590.57	450	with/without	oyster white	350	438	1
200.2590.56	450	with/without	walnut grey	350	438	1
200.2591.57	500	with/without	oyster white	400	438	1
200.2591.56	500	with/without	walnut grey	400	438	1
200.2592.57	550	with/without	oyster white	450	438	1
200.2592.56	550	with/without	walnut grey	450	438	1
200.2593.57	600	with/without	oyster white	500	438	1
200.2593.56	600	with/without	walnut grey	500	438	1
200.2579.57	900	without	oyster white	820	438	1
200.2579.56	900	without	walnut grey	820	438	1

EXTENDO LIRO



Pull-out shelf Extendo Liro Blum Legrabox without spacer

Pull out the shelf for easy access from above. Also available with rail inserts.

Includes
1 pull-out shelf (without slides)
2 adapters (left+right)

Technical data
Design line: Liro
Assembly with ClickFixx: yes
Load capacity per shelf: 0-30 kg
Drawer runner nominal length (NL): 500 mm
Material: powder-coated sheet steel

Art. No.	Unit width (EB)	Model	Colour	Interior width (LB)	Interior depth min. (LT)	Interior height min. (LH)	Width (B)	Depth (T)	Height (H)
	mm			mm	mm	mm	mm	mm	mm
200.2716.01	450	Blum Legrabox	white	412-418	515	152	412-418	513	132
200.2716.12	450	Blum Legrabox	silver	412-418	515	152	412-418	513	132
200.2716.43	450	Blum Legrabox	anthracite	412-418	515	152	412-418	513	132
200.2718.01	500	Blum Legrabox	white	462-468	515	152	462-468	513	132
200.2718.12	500	Blum Legrabox	silver	462-468	515	152	462-468	513	132
200.2718.43	500	Blum Legrabox	anthracite	462-468	515	152	462-468	513	132
200.2720.01	550	Blum Legrabox	white	512-518	515	152	512-518	513	132
200.2720.12	550	Blum Legrabox	silver	512-518	515	152	512-518	513	132
200.2720.43	550	Blum Legrabox	anthracite	512-518	515	152	512-518	513	132
200.2722.01	600	Blum Legrabox	white	562-568	515	152	562-568	513	132
200.2722.12	600	Blum Legrabox	silver	562-568	515	152	562-568	513	132
200.2722.43	600	Blum Legrabox	anthracite	562-568	515	152	562-568	513	132
200.2728.01	900	Blum Legrabox	white	862-868	515	152	862-868	513	132
200.2728.12	900	Blum Legrabox	silver	862-868	515	152	862-868	513	132
200.2728.43	900	Blum Legrabox	anthracite	862-868	515	152	862-868	513	132



Concealed extension runner Blum Legrabox NL 500

The full-extension runner guides the system / shelf right out of the unit.

- With Softclose
- High load capacity of 40 kg

Includes
2 slides (left+right)

Technical data
Compatible with: Pinello, Extendo Liro
Integrated Softclose: yes
Integrated Softopen: no
Load capacity: 0-40 kg
Drawer runner nominal length (NL): 500 mm
Material: zinc-plated sheet steel

Art. No.	Model	Colour	Width (B)	Depth (T)	Height (H)
			mm	mm	mm
200.2515.04	Blum Legrabox	zinc-plated	60/60	499	50



Pull-out shelf Extendo Liro Grass Dynapro without spacer

Pull out the shelf for easy access from above. Also available with rail inserts.

Includes
 1 pull-out shelf (without slides)
 2 adapters (left+right)

Technical data
 Design line: Liro
 Assembly with ClickFixx: yes
 Load capacity per shelf: 0-30 kg
 Drawer runner nominal length (NL): 500 mm
 Material: powder-coated sheet steel

Art. No.	Unit width (EB)	Model	Colour	Interior width (LB)	Interior depth min. (LT)	Interior height min. (LH)	Width (B)	Depth (T)	Height (H)
	mm			mm	mm	mm	mm	mm	mm
200.2736.01	450	Grass Dynapro	white	412-418	519	142	412-418	517	122
200.2736.12	450	Grass Dynapro	silver	412-418	519	142	412-418	517	122
200.2736.43	450	Grass Dynapro	anthracite	412-418	519	142	412-418	517	122
200.2738.01	500	Grass Dynapro	white	462-468	519	142	462-468	517	122
200.2738.12	500	Grass Dynapro	silver	462-468	519	142	462-468	517	122
200.2738.43	500	Grass Dynapro	anthracite	462-468	519	142	462-468	517	122
200.2740.01	550	Grass Dynapro	white	512-518	519	142	512-518	517	122
200.2740.12	550	Grass Dynapro	silver	512-518	519	142	512-518	517	122
200.2740.43	550	Grass Dynapro	anthracite	512-518	519	142	512-518	517	122
200.2742.01	600	Grass Dynapro	white	562-568	519	142	562-568	517	122
200.2742.12	600	Grass Dynapro	silver	562-568	519	142	562-568	517	122
200.2742.43	600	Grass Dynapro	anthracite	562-568	519	142	562-568	517	122
200.2748.01	900	Grass Dynapro	white	862-868	519	142	862-868	517	122
200.2748.12	900	Grass Dynapro	silver	862-868	519	142	862-868	517	122
200.2748.43	900	Grass Dynapro	anthracite	862-868	519	142	862-868	517	122



Concealed extension runner Grass Dynapro NL 500

The full-extension runner guides the system / shelf right out of the unit.

- With Softclose
- High load capacity of 40 kg

Includes
 2 slides (left+right)

Technical data
 Compatible with: Extendo Liro
 Integrated Softclose: yes
 Integrated Softopen: no
 Load capacity: 0-40 kg
 Drawer runner nominal length (NL): 500 mm
 Material: zinc-plated sheet steel

Art. No.	Model	Colour	Width (B)	Depth (T)	Height (H)
			mm	mm	mm
200.2770.04	Grass Dynapro	zinc-plated	58/58	500	49



Railing insert Extendo Liro

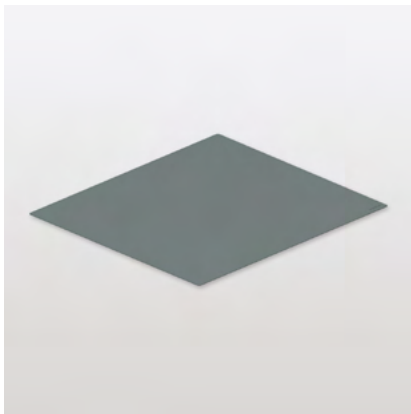
Insert the rail into the slot provided in the Liro shelf

- Solid oak rail inserts
- Optional addition to Liro shelves as a style variation
- Goes well with wooden unit fronts and warm colours
- Can be retrofitted without any need for tools

Includes
1 rail insert

Technical data
Compatible with: Extendo Liro
Design line: Liro
Assembly with ClickFixx: yes
Material: wood

Art. No.	Unit width (EB)	Spacer Type	Colour	Width (B)	Depth (T)	Height (H)
	mm			mm	mm	mm
200.2680.36	450	without	natural oak	397	6	95
200.2680.66	450	without	stained oak	397	6	95
200.2681.36	500	without	natural oak	447	6	95
200.2681.66	500	without	stained oak	447	6	95
200.2682.36	550	without	natural oak	497	6	95
200.2682.66	550	without	stained oak	497	6	95
200.2683.36	600	without	natural oak	547	6	95
200.2683.66	600	without	stained oak	547	6	95
200.2686.36	900	without	natural oak	847	6	95
200.2686.66	900	without	stained oak	847	6	95



Non-slip mat Extendo Liro

Lay the non-slip mat on the shelf to stabilise the stored items. To clean the mat, remove it from the shelf and rinse it under running water.

- Keeps items in place on the shelf
- Pleasant feel with a finely textured surface
- Reduces noise when items are stowed
- optional

Includes
1 non-slip mat

Technical data
Compatible with: Extendo Liro
Design line: Liro
Material: silicone

Art. No.	Unit width (EB)	Spacer Type	Colour	Width (B)	Depth (T)	Height (H)
	mm			mm	mm	mm
200.2701.57	450	with/without	oyster white	355	455	1
200.2701.56	450	with/without	walnut grey	355	455	1
200.2702.57	500	with/without	oyster white	405	455	1
200.2702.56	500	with/without	walnut grey	405	455	1
200.2703.57	550	with/without	oyster white	455	455	1
200.2703.56	550	with/without	walnut grey	455	455	1
200.2704.57	600	with/without	oyster white	505	455	1
200.2704.56	600	with/without	walnut grey	505	455	1
200.2709.57	900	without	oyster white	825	455	1
200.2709.56	900	without	walnut grey	825	455	1

EXTENDO LIBELL



Pull-out shelf Extendo Libell Universal without spacer

The front of the shelf is directly accessible, and the shelf can be pulled out for easy access to the back.

Includes
1 pull-out shelf (without slides)
2 adapters (left+right)

Technical data
Design line: Libell
Assembly with ClickFixx: yes
Load capacity per shelf: 0-30 kg
Drawer runner nominal length (NL): 450 mm

Art. No.	Unit width (EB)	Model	Colour	Interior width (LB)	Interior depth min. (LT)	Interior height min. (LH)	Width (B)	Depth (T)	Height (H)
	mm			mm	mm	mm	mm	mm	mm
200.2283.01	450	Universal	white	412-418	508	140-148	412-418	508	96
200.2283.12	450	Universal	silver	412-418	508	140-148	412-418	508	96
200.2283.43	450	Universal	anthracite	412-418	508	140-148	412-418	508	96
200.2284.01	500	Universal	white	462-468	508	140-148	462-468	508	96
200.2284.12	500	Universal	silver	462-468	508	140-148	462-468	508	96
200.2284.43	500	Universal	anthracite	462-468	508	140-148	462-468	508	96
200.2285.01	550	Universal	white	512-518	508	140-148	512-518	508	96
200.2285.12	550	Universal	silver	512-518	508	140-148	512-518	508	96
200.2285.43	550	Universal	anthracite	512-518	508	140-148	512-518	508	96
200.2286.01	600	Universal	white	562-568	508	140-148	562-568	508	96
200.2286.12	600	Universal	silver	562-568	508	140-148	562-568	508	96
200.2286.43	600	Universal	anthracite	562-568	508	140-148	562-568	508	96
200.2289.01	900	Universal	white	862-868	508	140-148	862-868	508	96
200.2289.12	900	Universal	silver	862-868	508	140-148	862-868	508	96
200.2289.43	900	Universal	anthracite	862-868	508	140-148	862-868	508	96



Concealed extension runner Grass Dynapro NL 450

The full-extension runner guides the system / shelf right out of the unit.

- With Softclose
- High load capacity of 40 kg

Includes
2 slides (left+right)

Technical data
Compatible with: Extendo Libell, Extendo Fiore, Trio Universal
Integrated Softclose: yes
Integrated Softopen: no
Load capacity: 0-40 kg
Drawer runner nominal length (NL): 450 mm
Material: zinc-plated sheet steel

Art. No.	Model	Colour	Width (B)	Depth (T)	Height (H)
			mm	mm	mm
200.1408.04	Grass Dynapro	zinc-plated	58/58	450	49



Pull-out shelf Extendo Libell Blum Legrabox without spacer

The front of the shelf is directly accessible, and the shelf can be pulled out for easy access to the back.

Includes
 1 pull-out shelf (without slides)
 2 adapters (left+right)

Technical data
 Design line: Libell
 Assembly with ClickFixx: yes
 Load capacity per shelf: 0-30 kg
 Drawer runner nominal length (NL): 450 mm
 Material: powder-coated sheet steel

Art. No.	Unit width (EB)	Model	Colour	Interior width (LB)	Interior depth min. (LT)	Interior height min. (LH)	Width (B)	Depth (T)	Height (H)
	mm			mm	mm	mm	mm	mm	mm
200.2303.01	450	Blum Legrabox	white	412-418	480	155	412-418	480	96
200.2303.12	450	Blum Legrabox	silver	412-418	480	155	412-418	480	96
200.2303.43	450	Blum Legrabox	anthracite	412-418	480	155	412-418	480	96
200.2304.01	500	Blum Legrabox	white	462-468	480	155	462-468	480	96
200.2304.12	500	Blum Legrabox	silver	462-468	480	155	462-468	480	96
200.2304.43	500	Blum Legrabox	anthracite	462-468	480	155	462-468	480	96
200.2305.01	550	Blum Legrabox	white	512-518	480	155	512-518	480	96
200.2305.12	550	Blum Legrabox	silver	512-518	480	155	512-518	480	96
200.2305.43	550	Blum Legrabox	anthracite	512-518	480	155	512-518	480	96
200.2306.01	600	Blum Legrabox	white	562-568	480	155	562-568	480	96
200.2306.12	600	Blum Legrabox	silver	562-568	480	155	562-568	480	96
200.2306.43	600	Blum Legrabox	anthracite	562-568	480	155	562-568	480	96
200.2309.01	900	Blum Legrabox	white	862-868	480	155	862-868	480	96
200.2309.12	900	Blum Legrabox	silver	862-868	480	155	862-868	480	96
200.2309.43	900	Blum Legrabox	anthracite	862-868	480	155	862-868	480	96



Concealed extension runner Blum Legrabox NL 450

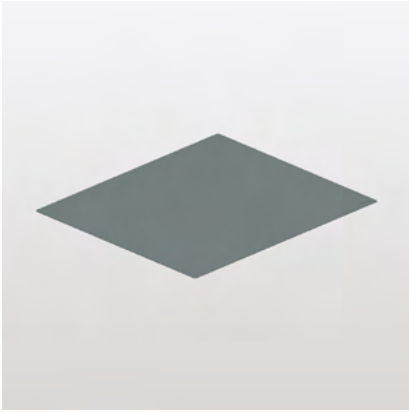
The full-extension runner guides the system / shelf right out of the unit.

- With Softclose
- High load capacity of 40 kg

Includes
 2 slides (left+right)

Technical data
 Compatible with: Extendo Fioro, Extendo Libell, Trio Legrabox
 Integrated Softclose: yes
 Integrated Softopen: no
 Load capacity: 0-40 kg
 Drawer runner nominal length (NL): 450 mm
 Material: zinc-plated sheet steel

Art. No.	Model	Colour	Width (B)	Depth (T)	Height (H)
			mm	mm	mm
200.1785.00	Blum Legrabox	zinc-plated	60/60	449	50



Non-slip mat Extendo Libell/Fioro

Lay the non-slip mat on the shelf to stabilise the stored items. To clean the mat, remove it from the shelf and rinse it under running water.

- Keeps items in place on the shelf
- Pleasant feel with a finely textured surface
- Reduces noise when items are stowed
- optional

Includes
1 non-slip mat

Technical data
Compatible with: Extendo Fioro/Libell
Material: silicone

Art. No.	Unit width (EB)	Spacer Type	Colour	Width (B)	Depth (T)	Height (H)
	mm			mm	mm	mm
200.2590.57	450	with/without	oyster white	350	438	1
200.2590.56	450	with/without	walnut grey	350	438	1
200.2591.57	500	with/without	oyster white	400	438	1
200.2591.56	500	with/without	walnut grey	400	438	1
200.2592.57	550	with/without	oyster white	450	438	1
200.2592.56	550	with/without	walnut grey	450	438	1
200.2593.57	600	with/without	oyster white	500	438	1
200.2593.56	600	with/without	walnut grey	500	438	1
200.2579.57	900	without	oyster white	820	438	1
200.2579.56	900	without	walnut grey	820	438	1

EXTENDO ACCESSORIES



Click Stop locking mechanism set

The extended shelf locks automatically. To unlock it, simply pull it out again with one hand and the shelf moves back to its starting position.

Includes

2 guiding cams for side wall
(left+right)
2 locking units for pull-out shelves
(left+right)

Technical data

Compatible with: Extendo, wooden pull-out shelves, Trio Libell
Load capacity per shelf: 0-18 kg
Material: plastic

Art. No.	Model	Colour	Width (B)	Depth (T)	Height (H)
			mm	mm	mm
200.2666.51	right+left	white	178	18	55
200.2666.43	right+left	anthracite	178	18	55



Punching template Click Stop

Punching template for drilling the holes to install Click Stop

- An easy way to mark the holes needed for securing the guiding cam – no need for measuring
- optional

Includes

1 punching template

Technical data

Compatible with: Click Stop for Extendo
Material: powder-coated sheet steel

Art. No.	Colour	Width (B)	Depth (T)	Height (H)
		mm	mm	mm
200.2465.12	silver	187	120	17



Extra shelf Extendo

Position the extra shelf on the shelf and adjust to the required angle – no tools required.

- An extra level for dishes, pot lids, shoes, accessories, etc.
- Attaches magnetically to the base of the shelf
- Shelf can be tilted to three different positions
- optional

Includes
1 extra shelf

Technical data
Compatible with: Extendo
Material: powder-coated sheet steel/
plastic

Art. No.	Unit width (EB)	Spacer Type	Colour	Width (B)	Depth (T)	Height (H)
	mm			mm	mm	mm
200.1447.01	550	without	white	485	229	149/168/182
200.1447.12	550	without	silver	485	229	149/168/182
200.1447.43	550	without	anthracite	485	229	149/168/182
200.1449.01	600	without	white	535	229	149/168/182
200.1449.12	600	without	silver	535	229	149/168/182
200.1449.43	600	without	anthracite	535	229	149/168/182
200.1455.01	900	without	white	835	229	149/168/182
200.1455.12	900	without	silver	835	229	149/168/182
200.1455.43	900	without	anthracite	835	229	149/168/182



Divider set magnetic

Position the dividers on the base or wall of a metal shelf as required.

- For dividing the shelf into compartments to suit users' needs
- Keeps items in place on the shelf
- Attaches magnetically to the base or the side wall of the metal shelf
- optional

Includes
4 dividers

Technical data
Material: plastic

Art. No.	Unit width min. (EB)	Colour	Width (B)	Depth (T)	Height (H)
	mm		mm	mm	mm
200.2543.51	150	white	77.5	25/3	76
200.2543.52	150	grey	77.5	25/3	76
200.2543.43	150	anthracite	77.5	25/3	76



Wooden box set 450 Extendo

Position wooden boxes on the shelf as required and fix them together with metal clips.

- For dividing the shelf into compartments to suit users' needs
- Possible application: groceries, cutlery, writing utensils, jewellery and accessories, etc.
- optional
- Can be retrofitted without any need for tools

Includes
 3 small boxes (247 x 148 x 87 mm)
 2 metal clips

Technical data
 Compatible with: Extendo
 Material: wood

Art. No.	Unit width (EB)	Colour	Width (B)	Depth (T)	Height (H)	Status
	mm		mm	mm	mm	
200.1677.36	450	natural oak	370	444	50	while stocks last
200.1678.36	450	natural oak	370	444	87	while stocks last



Wooden box set low 500-600 Extendo

Position wooden boxes on the shelf as required and fix them together with metal clips.

- For dividing the shelf into compartments to suit users' needs
- Possible application: groceries, cutlery, writing utensils, jewellery and accessories, etc.
- optional
- Can be retrofitted without any need for tools

Includes
 1 long box (446 x 150 x 50 mm)
 3 small boxes (247 x 148 x 50 mm)
 2 metal clips

Technical data
 Compatible with: Extendo, Trio Libell
 Material: wood

Art. No.	Unit width (EB)	Colour	Width (B)	Depth (T)	Height (H)	Status
	mm		mm	mm	mm	
200.1675.36	500-600	natural oak	478	446	50	while stocks last



Wooden box set high 500-600 Extendo

Position wooden boxes on the shelf as required and fix them together with metal clips.

- For dividing the shelf into compartments to suit users' needs
- Possible application: groceries, cutlery, writing utensils, jewellery and accessories, etc.
- optional
- Can be retrofitted without any need for tools

Includes
 1 long box (446 x 150 x 87 mm)
 1 small box (247 x 148 x 87 mm)
 1 large box (247 x 296 x 87 mm)
 1 metal clip

Technical data
 Compatible with: Extendo, Trio Libell
 Material: wood

Art. No.	Unit width (EB)	Colour	Width (B)	Depth (T)	Height (H)	Status
	mm		mm	mm	mm	
200.1676.36	500-600	natural oak	478	446	87	while stocks last



Wooden box set low 900 Extendo

Position wooden boxes on the shelf as required and fix them together with metal clips.

- For dividing the shelf into compartments to suit users' needs
- Possible application: groceries, cutlery, writing utensils, jewellery and accessories, etc.
- optional
- Can be retrofitted without any need for tools

Includes

2 long boxes (446 x 150 x 50 mm)
 3 small boxes (247 x 148 x 50 mm)
 2 metal clips

Technical data

Compatible with: Extendo
 Material: wood

Art. No.	Unit width (EB)	Colour	Width (B)	Depth (T)	Height (H)	Status
	mm		mm	mm	mm	
200.1673.36	900	natural oak	666	446	50	while stocks last



Wooden box set high 900 Extendo

Position wooden boxes on the shelf as required and fix them together with metal clips.

- For dividing the shelf into compartments to suit users' needs
- Possible application: groceries, cutlery, writing utensils, jewellery and accessories, etc.
- optional
- Can be retrofitted without any need for tools

Includes

2 long boxes (446 x 150 x 87 mm)
 1 small box (247 x 148 x 87 mm)
 1 large box (247 x 296 x 87 mm)
 2 metal clips

Technical data

Compatible with: Extendo
 Material: wood

Art. No.	Unit width (EB)	Colour	Width (B)	Depth (T)	Height (H)	Status
	mm		mm	mm	mm	
200.1674.36	900	natural oak	666	446	87	while stocks last



Pull-out shelf

Extendo for units with hinged doors

The front of the shelf is directly accessible, and the shelf can be pulled out for easy access to the back.

The versatile Extendo can be used either as a single pull-out shelf in a sideboard or as a complete system in a larder unit. Usually open at the front, Extendo provides a great overview and direct access to items at the front of the unit. When pulled out, it brings contents at the back within easy reach. Extendo takes up almost no unit space thanks to its thin walls made from extremely sturdy sheet steel. Its sleek, streamlined design harmonises perfectly with existing design schemes and is easy to clean. What's more, Extendo is a stylish solution for any application thanks to its range of matching accessories: in a shoe cupboard or wardrobe, in a tableware cabinet or larder unit, or as a pull-out shelf for appliances in the corner of your kitchen.

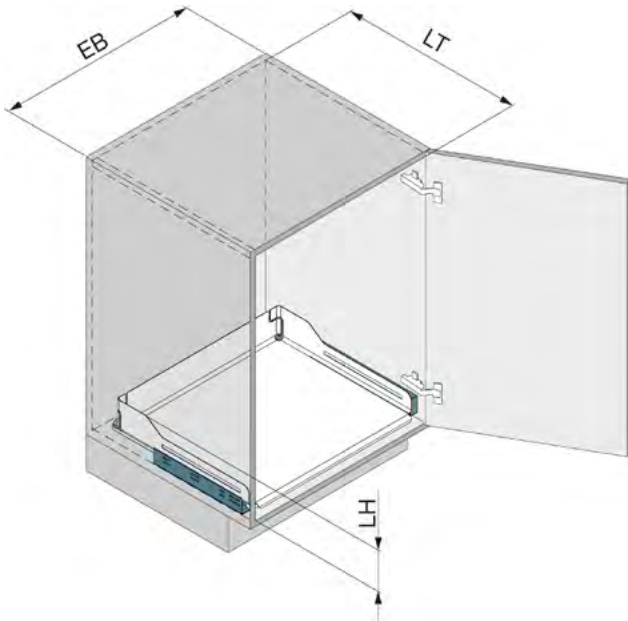


FEATURES AND BENEFITS

- + Direct access and a great overview of contents
- + Can be operated from above thanks to full extension
- + Maximum use of space thanks to thin-walled yet extremely sturdy metal shelves
- + Almost completely recyclable thanks to the use of sheet steel
- + The shelves' sleek design and closed base make them easy to clean
- + Simple design to match any style
- + Applications: Flexible shelf system with shelves that can be fully and individually extended, pull-out shelf for appliances in a dresser unit, temporary fixed work surface



TECHNICAL DATA

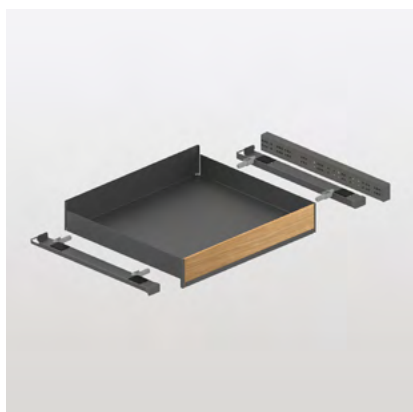


Design line	Fioro/Liro/Libell
Barrier-free	yes
Unit width (EB)	450/500/550/600/900 mm
Model	Grass Dynapro/Universal/ Blum Legrabox
Colour	anthracite, natural oak/white/ silver/anthracite
Interior width (LB)	412-418/462-468/512-518/ 562-568/862-868 mm
Interior depth min. (LT)	508/515/519 mm
Interior height min. (LH)	138-146/140-148/142/152/153/ 155 mm

TECHNICAL CHARACTERISTICS

- ▶ Ingenious installation system with adapter, making it easy to attach to and remove from any runner
- ▶ With optional accessories, it can be used for storing clothes, shoes, tableware or groceries
- ▶ Combined with Click Stop, Extendo can be temporarily transformed into a fixed work surface
- ▶ Removable non-slip mats available as an option
- ▶ With spacer for doors with standard hinges (110° opening angle)
- ▶ Can be used with a range of sliding systems thanks to different runner adapters (excl. Blum Movento)
- ▶ Suitable for 16- or 19-mm-thick side panel

EXTENDO FIORO



Pull-out shelf Extendo Fiore Universal with spacer

The front of the shelf is directly accessible, and the shelf can be pulled out for easy access to the back.

Includes

1 pull-out shelf incl. rail insert (without slides)
2 adapters (left+right)
1 spacer (2 pieces for units with widths from 900 mm)

Technical data

Design line: Fiore
Assembly with ClickFixx: yes
Load capacity per shelf: 0-30 kg
Drawer runner nominal length (NL): 450 mm

Art. No.	Unit width (EB)	Model	Colour	Rail height	Interior width (LB)	Interior depth min. (LT)	Interior height min. (LH)	Width (B)	Depth (T)	Height (H)
	mm			mm	mm	mm	mm	mm	mm	mm
200.2353.43	450	Universal	anthracite, natural oak	35	412-418	508	138-146	412-418	508	117
200.2373.43	450	Universal	anthracite, natural oak	87	412-418	508	138-146	412-418	508	117
200.2354.43	500	Universal	anthracite, natural oak	35	462-468	508	138-146	462-468	508	117
200.2374.43	500	Universal	anthracite, natural oak	87	462-468	508	138-146	462-468	508	117
200.2355.43	550	Universal	anthracite, natural oak	35	512-518	508	138-146	512-518	508	117
200.2375.43	550	Universal	anthracite, natural oak	87	512-518	508	138-146	512-518	508	117
200.2356.43	600	Universal	anthracite, natural oak	35	562-568	508	138-146	562-568	508	117
200.2376.43	600	Universal	anthracite, natural oak	87	562-568	508	138-146	562-568	508	117
200.2359.43	900	Universal	anthracite, natural oak	35	862-868	508	138-146	862-868	508	117
200.2379.43	900	Universal	anthracite, natural oak	87	862-868	508	138-146	862-868	508	117



Concealed extension runner Grass Dynapro NL 450

The full-extension runner guides the system / shelf right out of the unit.

- With Softclose
- High load capacity of 40 kg

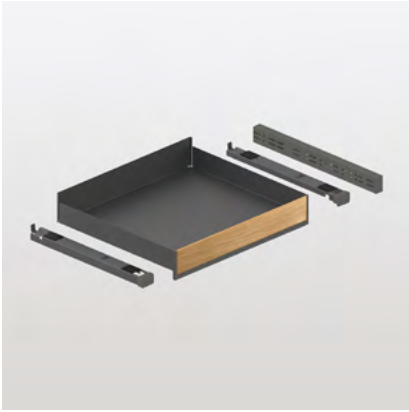
Includes

2 slides (left+right)

Technical data

Compatible with: Extendo Libell, Extendo Fiore, Trio Universal
Integrated Softclose: yes
Integrated Softopen: no
Load capacity: 0-40 kg
Drawer runner nominal length (NL): 450 mm
Material: zinc-plated sheet steel

Art. No.	Model	Colour	Width (B)	Depth (T)	Height (H)
			mm	mm	mm
200.1408.04	Grass Dynapro	zinc-plated	58/58	450	49



Pull-out shelf Extendo Fiore Blum Legrabox with spacer

The front of the shelf is directly accessible, and the shelf can be pulled out for easy access to the back.

Includes

1 pull-out shelf incl. rail insert (without slides)
2 adapters (left+right)
1 spacer (2 pieces for units with widths from 900 mm)

Technical data

Design line: Fiore
Assembly with ClickFixx: yes
Load capacity per shelf: 0-30 kg
Drawer runner nominal length (NL): 450 mm
Material: powder-coated sheet steel/wood

Art. No.	Unit width (EB)	Model	Colour	Rail height	Interior width (LB)	Interior depth min. (LT)	Interior height min. (LH)	Width (B)	Depth (T)	Height (H)
	mm			mm	mm	mm	mm	mm	mm	mm
200.2413.43	450	Blum Legrabox	anthracite, natural oak	35	412-418	508	153	412-418	508	117
200.2433.43	450	Blum Legrabox	anthracite, natural oak	87	412-418	508	153	412-418	508	117
200.2414.43	500	Blum Legrabox	anthracite, natural oak	35	462-468	508	153	462-468	508	117
200.2434.43	500	Blum Legrabox	anthracite, natural oak	87	462-468	508	153	462-468	508	117
200.2415.43	550	Blum Legrabox	anthracite, natural oak	35	512-518	508	153	512-518	508	117
200.2435.43	550	Blum Legrabox	anthracite, natural oak	87	512-518	508	153	512-518	508	117
200.2416.43	600	Blum Legrabox	anthracite, natural oak	35	562-568	508	153	562-568	508	117
200.2436.43	600	Blum Legrabox	anthracite, natural oak	87	562-568	508	153	562-568	508	117
200.2419.43	900	Blum Legrabox	anthracite, natural oak	35	862-868	508	153	862-868	508	117
200.2439.43	900	Blum Legrabox	anthracite, natural oak	87	862-868	508	153	862-868	508	117



Concealed extension runner Blum Legrabox NL 450

The full-extension runner guides the system / shelf right out of the unit.

- With Softclose
- High load capacity of 40 kg

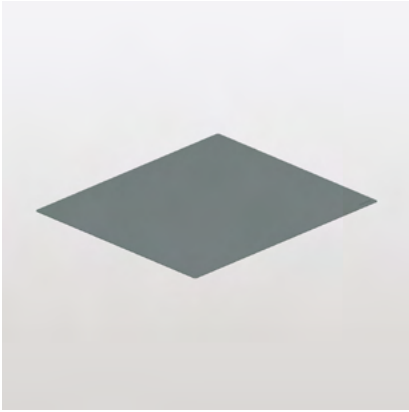
Includes

2 slides (left+right)

Technical data

Compatible with: Extendo Fiore, Extendo Libell, Trio Legrabox
Integrated Softclose: yes
Integrated Softopen: no
Load capacity: 0-40 kg
Drawer runner nominal length (NL): 450 mm
Material: zinc-plated sheet steel

Art. No.	Model	Colour	Width (B)	Depth (T)	Height (H)
			mm	mm	mm
200.1785.00	Blum Legrabox	zinc-plated	60/60	449	50



Non-slip mat Extendo Libell/Fioro

Lay the non-slip mat on the shelf to stabilise the stored items. To clean the mat, remove it from the shelf and rinse it under running water.

- Keeps items in place on the shelf
- Pleasant feel with a finely textured surface
- Reduces noise when items are stowed
- optional

Includes
1 non-slip mat

Technical data
Compatible with: Extendo Fioro/Libell
Material: silicone

Art. No.	Unit width (EB)	Spacer Type	Colour	Width (B)	Depth (T)	Height (H)
	mm			mm	mm	mm
200.2590.57	450	with/without	oyster white	350	438	1
200.2590.56	450	with/without	walnut grey	350	438	1
200.2591.57	500	with/without	oyster white	400	438	1
200.2591.56	500	with/without	walnut grey	400	438	1
200.2592.57	550	with/without	oyster white	450	438	1
200.2592.56	550	with/without	walnut grey	450	438	1
200.2593.57	600	with/without	oyster white	500	438	1
200.2593.56	600	with/without	walnut grey	500	438	1
200.2580.57	900	with	oyster white	750	438	1
200.2580.56	900	with	walnut grey	750	438	1

EXTENDO LIRO



Pull-out shelf Extendo Liro Blum Legrabox with spacer

Pull out the shelf for easy access from above. Also available with rail inserts.

Includes

- 1 pull-out shelf (without slides)
- 2 adapters (left+right)
- 1 spacer (2 pieces for units with widths from 900 mm)

Technical data

Design line: Liro
 Assembly with ClickFixx: yes
 Load capacity per shelf: 0-30 kg
 Drawer runner nominal length (NL): 500 mm
 Material: powder-coated sheet steel

Art. No.	Unit width (EB)	Model	Colour	Interior width (LB)	Interior depth min. (LT)	Interior height min. (LH)	Width (B)	Depth (T)	Height (H)
	mm			mm	mm	mm	mm	mm	mm
200.2717.01	450	Blum Legrabox	white	412-418	515	152	412-418	513	132
200.2717.12	450	Blum Legrabox	silver	412-418	515	152	412-418	513	132
200.2717.43	450	Blum Legrabox	anthracite	412-418	515	152	412-418	513	132
200.2719.01	500	Blum Legrabox	white	462-468	515	152	462-468	513	132
200.2719.12	500	Blum Legrabox	silver	462-468	515	152	462-468	513	132
200.2719.43	500	Blum Legrabox	anthracite	462-468	515	152	462-468	513	132
200.2721.01	550	Blum Legrabox	white	512-518	515	152	512-518	513	132
200.2721.12	550	Blum Legrabox	silver	512-518	515	152	512-518	513	132
200.2721.43	550	Blum Legrabox	anthracite	512-518	515	152	512-518	513	132
200.2723.01	600	Blum Legrabox	white	562-568	515	152	562-568	513	132
200.2723.12	600	Blum Legrabox	silver	562-568	515	152	562-568	513	132
200.2723.43	600	Blum Legrabox	anthracite	562-568	515	152	562-568	513	132
200.2729.01	900	Blum Legrabox	white	862-868	515	152	862-868	513	132
200.2729.12	900	Blum Legrabox	silver	862-868	515	152	862-868	513	132
200.2729.43	900	Blum Legrabox	anthracite	862-868	515	152	862-868	513	132



Concealed extension runner Blum Legrabox NL 500

The full-extension runner guides the system / shelf right out of the unit.

- With Softclose
- High load capacity of 40 kg

Includes

- 2 slides (left+right)

Technical data

Compatible with: Pinello, Extendo Liro
 Integrated Softclose: yes
 Integrated Softopen: no
 Load capacity: 0-40 kg
 Drawer runner nominal length (NL): 500 mm
 Material: zinc-plated sheet steel

Art. No.	Model	Colour	Width (B)	Depth (T)	Height (H)
			mm	mm	mm
200.2515.04	Blum Legrabox	zinc-plated	60/60	499	50



Pull-out shelf Extendo Liro Grass Dynapro with spacer

Pull out the shelf for easy access from above. Also available with rail inserts.

Includes

- 1 pull-out shelf (without slides)
- 2 adapters (left+right)
- 1 spacer (2 pieces for units with widths from 900 mm)

Technical data

Design line: Liro
 Assembly with ClickFixx: yes
 Load capacity per shelf: 0-30 kg
 Drawer runner nominal length (NL): 500 mm
 Material: powder-coated sheet steel

Art. No.	Unit width (EB)	Model	Colour	Interior width (LB)	Interior depth min. (LT)	Interior height min. (LH)	Width (B)	Depth (T)	Height (H)
	mm			mm	mm	mm	mm	mm	mm
200.2737.01	450	Grass Dynapro	white	412-418	519	142	412-418	517	122
200.2737.12	450	Grass Dynapro	silver	412-418	519	142	412-418	517	122
200.2737.43	450	Grass Dynapro	anthracite	412-418	519	142	412-418	517	122
200.2739.01	500	Grass Dynapro	white	462-468	519	142	462-468	517	122
200.2739.12	500	Grass Dynapro	silver	462-468	519	142	462-468	517	122
200.2739.43	500	Grass Dynapro	anthracite	462-468	519	142	462-468	517	122
200.2741.01	550	Grass Dynapro	white	512-518	519	142	512-518	517	122
200.2741.12	550	Grass Dynapro	silver	512-518	519	142	512-518	517	122
200.2741.43	550	Grass Dynapro	anthracite	512-518	519	142	512-518	517	122
200.2743.01	600	Grass Dynapro	white	562-568	519	142	562-568	517	122
200.2743.12	600	Grass Dynapro	silver	562-568	519	142	562-568	517	122
200.2743.43	600	Grass Dynapro	anthracite	562-568	519	142	562-568	517	122
200.2749.01	900	Grass Dynapro	white	862-868	519	142	862-868	517	122
200.2749.12	900	Grass Dynapro	silver	862-868	519	142	862-868	517	122
200.2749.43	900	Grass Dynapro	anthracite	862-868	519	142	862-868	517	122



Concealed extension runner Grass Dynapro NL 500

The full-extension runner guides the system / shelf right out of the unit.

- With Softclose
- High load capacity of 40 kg

Includes

- 2 slides (left+right)

Technical data

Compatible with: Extendo Liro
 Integrated Softclose: yes
 Integrated Softopen: no
 Load capacity: 0-40 kg
 Drawer runner nominal length (NL): 500 mm
 Material: zinc-plated sheet steel

Art. No.	Model	Colour	Width (B)	Depth (T)	Height (H)
			mm	mm	mm
200.2770.04	Grass Dynapro	zinc-plated	58/58	500	49



Railing insert Extendo Liro

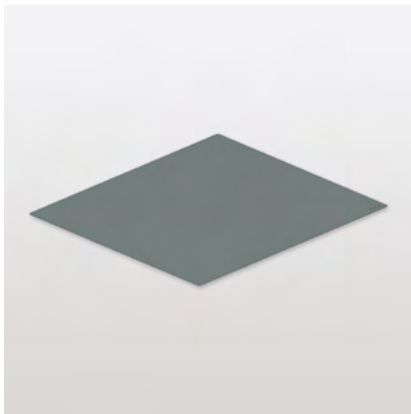
Insert the rail into the slot provided in the Liro shelf

- Solid oak rail inserts
- Optional addition to Liro shelves as a style variation
- Goes well with wooden unit fronts and warm colours
- Can be retrofitted without any need for tools

Includes
1 rail insert

Technical data
Compatible with: Extendo Liro
Design line: Liro
Assembly with ClickFixx: yes
Material: wood

Art. No.	Unit width (EB)	Spacer Type	Colour	Width (B)	Depth (T)	Height (H)
	mm			mm	mm	mm
200.2690.36	450	with	natural oak	372	6	95
200.2690.66	450	with	stained oak	372	6	95
200.2691.36	500	with	natural oak	422	6	95
200.2691.66	500	with	stained oak	422	6	95
200.2692.36	550	with	natural oak	472	6	95
200.2692.66	550	with	stained oak	472	6	95
200.2693.36	600	with	natural oak	522	6	95
200.2693.66	600	with	stained oak	522	6	95
200.2696.36	900	with	natural oak	797	6	95
200.2696.66	900	with	stained oak	797	6	95



Non-slip mat Extendo Liro

Lay the non-slip mat on the shelf to stabilise the stored items. To clean the mat, remove it from the shelf and rinse it under running water.

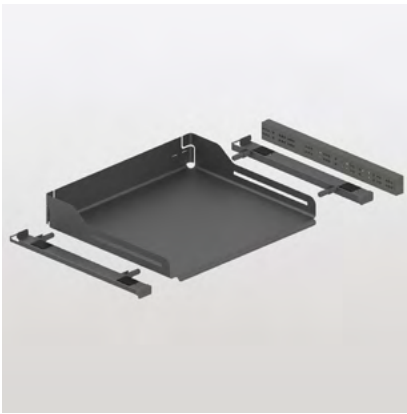
- Keeps items in place on the shelf
- Pleasant feel with a finely textured surface
- Reduces noise when items are stowed
- optional

Includes
1 non-slip mat

Technical data
Compatible with: Extendo Liro
Design line: Liro
Material: silicone

Art. No.	Unit width (EB)	Spacer Type	Colour	Width (B)	Depth (T)	Height (H)
	mm			mm	mm	mm
200.2701.57	450	with/without	oyster white	355	455	1
200.2701.56	450	with/without	walnut grey	355	455	1
200.2702.57	500	with/without	oyster white	405	455	1
200.2702.56	500	with/without	walnut grey	405	455	1
200.2703.57	550	with/without	oyster white	455	455	1
200.2703.56	550	with/without	walnut grey	455	455	1
200.2704.57	600	with/without	oyster white	505	455	1
200.2704.56	600	with/without	walnut grey	505	455	1
200.2708.57	900	with	oyster white	755	455	1
200.2708.56	900	with	walnut grey	755	455	1

EXTENDO LIBELL



Pull-out shelf Extendo Libell Universal with spacer

The front of the shelf is directly accessible, and the shelf can be pulled out for easy access to the back.

Includes

- 1 pull-out shelf (without slides)
- 2 adapters (left+right)
- 1 spacer (2 pieces for units with widths from 900 mm)

Technical data

- Design line: Libell
- Assembly with ClickFixx: yes
- Load capacity per shelf: 0-30 kg
- Drawer runner nominal length (NL): 450 mm

Art. No.	Unit width (EB)	Model	Colour	Interior width (LB)	Interior depth min. (LT)	Interior height min. (LH)	Width (B)	Depth (T)	Height (H)
	mm			mm	mm	mm	mm	mm	mm
200.2293.01	450	Universal	white	412-418	508	140-148	412-418	508	96
200.2293.12	450	Universal	silver	412-418	508	140-148	412-418	508	96
200.2293.43	450	Universal	anthracite	412-418	508	140-148	412-418	508	96
200.2294.01	500	Universal	white	462-468	508	140-148	462-468	508	96
200.2294.12	500	Universal	silver	462-468	508	140-148	462-468	508	96
200.2294.43	500	Universal	anthracite	462-468	508	140-148	462-468	508	96
200.2295.01	550	Universal	white	512-518	508	140-148	512-518	508	96
200.2295.12	550	Universal	silver	512-518	508	140-148	512-518	508	96
200.2295.43	550	Universal	anthracite	512-518	508	140-148	512-518	508	96
200.2296.01	600	Universal	white	562-568	508	140-148	562-568	508	96
200.2296.12	600	Universal	silver	562-568	508	140-148	562-568	508	96
200.2296.43	600	Universal	anthracite	562-568	508	140-148	562-568	508	96
200.2299.01	900	Universal	white	862-868	508	140-148	862-868	508	96
200.2299.12	900	Universal	silver	862-868	508	140-148	862-868	508	96
200.2299.43	900	Universal	anthracite	862-868	508	140-148	862-868	508	96



Concealed extension runner Grass Dynapro NL 450

The full-extension runner guides the system / shelf right out of the unit.

- With Softclose
- High load capacity of 40 kg

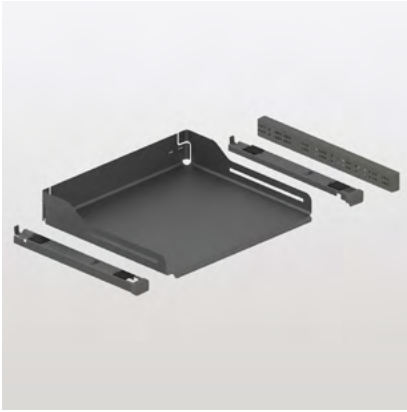
Includes

- 2 slides (left+right)

Technical data

- Compatible with: Extendo Libell, Extendo Fiore, Trio Universal
- Integrated Softclose: yes
- Integrated Softopen: no
- Load capacity: 0-40 kg
- Drawer runner nominal length (NL): 450 mm
- Material: zinc-plated sheet steel

Art. No.	Model	Colour	Width (B)	Depth (T)	Height (H)
			mm	mm	mm
200.1408.04	Grass Dynapro	zinc-plated	58/58	450	49



Pull-out shelf Extendo Libell Blum Legrabox with spacer

The front of the shelf is directly accessible, and the shelf can be pulled out for easy access to the back.

Includes

- 1 pull-out shelf (without slides)
- 2 adapters (left+right)
- 1 spacer (2 pieces for units with widths from 900 mm)

Technical data

Design line: Libell
 Assembly with ClickFixx: yes
 Load capacity per shelf: 0-30 kg
 Drawer runner nominal length (NL): 450 mm
 Material: powder-coated sheet steel

Art. No.	Unit width (EB)	Model	Colour	Interior width (LB)	Interior depth min. (LT)	Interior height min. (LH)	Width (B)	Depth (T)	Height (H)
	mm			mm	mm	mm	mm	mm	mm
200.2313.01	450	Blum Legrabox	white	412-418	508	155	412-418	508	96
200.2313.12	450	Blum Legrabox	silver	412-418	508	155	412-418	508	96
200.2313.43	450	Blum Legrabox	anthracite	412-418	508	155	412-418	508	96
200.2314.01	500	Blum Legrabox	white	462-468	508	155	462-468	508	96
200.2314.12	500	Blum Legrabox	silver	462-468	508	155	462-468	508	96
200.2314.43	500	Blum Legrabox	anthracite	462-468	508	155	462-468	508	96
200.2315.01	550	Blum Legrabox	white	512-518	508	155	512-518	508	96
200.2315.12	550	Blum Legrabox	silver	512-518	508	155	512-518	508	96
200.2315.43	550	Blum Legrabox	anthracite	512-518	508	155	512-518	508	96
200.2316.01	600	Blum Legrabox	white	562-568	508	155	562-568	508	96
200.2316.12	600	Blum Legrabox	silver	562-568	508	155	562-568	508	96
200.2316.43	600	Blum Legrabox	anthracite	562-568	508	155	562-568	508	96
200.2319.01	900	Blum Legrabox	white	862-868	508	155	862-868	508	96
200.2319.12	900	Blum Legrabox	silver	862-868	508	155	862-868	508	96
200.2319.43	900	Blum Legrabox	anthracite	862-868	508	155	862-868	508	96



Concealed extension runner Blum Legrabox NL 450

The full-extension runner guides the system / shelf right out of the unit.

- With Softclose
- High load capacity of 40 kg

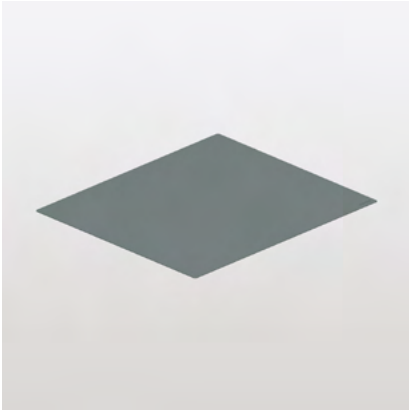
Includes

- 2 slides (left+right)

Technical data

Compatible with: Extendo Fioro, Extendo Libell, Trio Legrabox
 Integrated Softclose: yes
 Integrated Softopen: no
 Load capacity: 0-40 kg
 Drawer runner nominal length (NL): 450 mm
 Material: zinc-plated sheet steel

Art. No.	Model	Colour	Width (B)	Depth (T)	Height (H)
			mm	mm	mm
200.1785.00	Blum Legrabox	zinc-plated	60/60	449	50



Non-slip mat Extendo Libell/Fioro

Lay the non-slip mat on the shelf to stabilise the stored items. To clean the mat, remove it from the shelf and rinse it under running water.

- Keeps items in place on the shelf
- Pleasant feel with a finely textured surface
- Reduces noise when items are stowed
- optional

Includes
1 non-slip mat

Technical data
Compatible with: Extendo Fioro/Libell
Material: silicone

Art. No.	Unit width (EB)	Spacer Type	Colour	Width (B)	Depth (T)	Height (H)
	mm			mm	mm	mm
200.2590.57	450	with/without	oyster white	350	438	1
200.2590.56	450	with/without	walnut grey	350	438	1
200.2591.57	500	with/without	oyster white	400	438	1
200.2591.56	500	with/without	walnut grey	400	438	1
200.2592.57	550	with/without	oyster white	450	438	1
200.2592.56	550	with/without	walnut grey	450	438	1
200.2593.57	600	with/without	oyster white	500	438	1
200.2593.56	600	with/without	walnut grey	500	438	1
200.2580.57	900	with	oyster white	750	438	1
200.2580.56	900	with	walnut grey	750	438	1

EXTENDO ACCESSORIES



Click Stop locking mechanism set

The extended shelf locks automatically. To unlock it, simply pull it out again with one hand and the shelf moves back to its starting position.

Includes

2 guiding cams for side wall (left+right)
2 locking units for pull-out shelves (left+right)

Technical data

Compatible with: Extendo, wooden pull-out shelves, Trio Libell
Load capacity per shelf: 0-18 kg
Material: plastic

Art. No.	Model	Colour	Width (B) mm	Depth (T) mm	Height (H) mm
200.2666.51	right+left	white	178	18	55
200.2666.43	right+left	anthracite	178	18	55



Spacer Click Stop

Spacer piece for Click Stop when used with a spacer

- For Click Stop, when used with an Extendo pull-out shelf with spacer
- Can be fitted on the right or left
- optional

Includes

1 spacer

Technical data

Compatible with: Click Stop for Extendo
Material: powder-coated sheet steel

Art. No.	Colour	Width (B) mm	Depth (T) mm	Height (H) mm
200.2223.21	white	25	92	33
200.2223.43	anthracite	25	92	33



Punching template Click Stop

Punching template for drilling the holes to install Click Stop

- An easy way to mark the holes needed for securing the guiding cam – no need for measuring
- optional

Includes

1 punching template

Technical data

Compatible with: Click Stop for Extendo
Material: powder-coated sheet steel

Art. No.	Colour	Width (B) mm	Depth (T) mm	Height (H) mm
200.2465.12	silver	187	120	17



Extra shelf Extendo

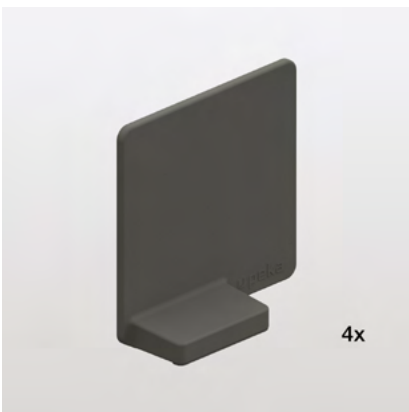
Position the extra shelf on the shelf and adjust to the required angle – no tools required.

- An extra level for dishes, pot lids, shoes, accessories, etc.
- Attaches magnetically to the base of the shelf
- Shelf can be tilted to three different positions
- optional

Includes
1 extra shelf

Technical data
Compatible with: Extendo
Material: powder-coated sheet steel/
plastic

Art. No.	Unit width (EB)	Spacer Type	Colour	Width (B)	Depth (T)	Height (H)
	mm			mm	mm	mm
200.1444.01	450	with	white	360	229	149/168/182
200.1444.12	450	with	silver	360	229	149/168/182
200.1444.43	450	with	anthracite	360	229	149/168/182
200.1448.01	550	with	white	460	229	149/168/182
200.1448.12	550	with	silver	460	229	149/168/182
200.1448.43	550	with	anthracite	460	229	149/168/182
200.1450.01	600	with	white	510	229	149/168/182
200.1450.12	600	with	silver	510	229	149/168/182
200.1450.43	600	with	anthracite	510	229	149/168/182
200.1456.01	900	with	white	785	229	149/168/182
200.1456.12	900	with	silver	785	229	149/168/182
200.1456.43	900	with	anthracite	785	229	149/168/182



Divider set magnetic

Position the dividers on the base or wall of a metal shelf as required.

- For dividing the shelf into compartments to suit users' needs
- Keeps items in place on the shelf
- Attaches magnetically to the base or the side wall of the metal shelf
- optional

Includes
4 dividers

Technical data
Material: plastic

Art. No.	Unit width min. (EB)	Colour	Width (B)	Depth (T)	Height (H)
	mm		mm	mm	mm
200.2543.51	150	white	77.5	25/3	76
200.2543.52	150	grey	77.5	25/3	76
200.2543.43	150	anthracite	77.5	25/3	76



Wooden box set 450 Extendo

Position wooden boxes on the shelf as required and fix them together with metal clips.

- For dividing the shelf into compartments to suit users' needs
- Possible application: groceries, cutlery, writing utensils, jewellery and accessories, etc.
- optional
- Can be retrofitted without any need for tools

Includes
 3 small boxes (247 x 148 x 87 mm)
 2 metal clips

Technical data
 Compatible with: Extendo
 Material: wood

Art. No.	Unit width (EB)	Colour	Width (B)	Depth (T)	Height (H)	Status
	mm		mm	mm	mm	
200.1677.36	450	natural oak	370	444	50	while stocks last
200.1678.36	450	natural oak	370	444	87	while stocks last



Wooden box set low 500-600 Extendo

Position wooden boxes on the shelf as required and fix them together with metal clips.

- For dividing the shelf into compartments to suit users' needs
- Possible application: groceries, cutlery, writing utensils, jewellery and accessories, etc.
- optional
- Can be retrofitted without any need for tools

Includes
 1 long box (446 x 150 x 50 mm)
 3 small boxes (247 x 148 x 50 mm)
 2 metal clips

Technical data
 Compatible with: Extendo, Trio Libell
 Material: wood

Art. No.	Unit width (EB)	Colour	Width (B)	Depth (T)	Height (H)	Status
	mm		mm	mm	mm	
200.1675.36	500-600	natural oak	478	446	50	while stocks last



Wooden box set high 500-600 Extendo

Position wooden boxes on the shelf as required and fix them together with metal clips.

- For dividing the shelf into compartments to suit users' needs
- Possible application: groceries, cutlery, writing utensils, jewellery and accessories, etc.
- optional
- Can be retrofitted without any need for tools

Includes
 1 long box (446 x 150 x 87 mm)
 1 small box (247 x 148 x 87 mm)
 1 large box (247 x 296 x 87 mm)
 1 metal clip

Technical data
 Compatible with: Extendo, Trio Libell
 Material: wood

Art. No.	Unit width (EB)	Colour	Width (B)	Depth (T)	Height (H)	Status
	mm		mm	mm	mm	
200.1676.36	500-600	natural oak	478	446	87	while stocks last



Wooden box set low 900 Extendo

Position wooden boxes on the shelf as required and fix them together with metal clips.

- For dividing the shelf into compartments to suit users' needs
- Possible application: groceries, cutlery, writing utensils, jewellery and accessories, etc.
- optional
- Can be retrofitted without any need for tools

Includes

2 long boxes (446 x 150 x 50 mm)
 3 small boxes (247 x 148 x 50 mm)
 2 metal clips

Technical data

Compatible with: Extendo
 Material: wood

Art. No.	Unit width (EB)	Colour	Width (B)	Depth (T)	Height (H)	Status
	mm		mm	mm	mm	
200.1673.36	900	natural oak	666	446	50	while stocks last



Wooden box set high 900 Extendo

Position wooden boxes on the shelf as required and fix them together with metal clips.

- For dividing the shelf into compartments to suit users' needs
- Possible application: groceries, cutlery, writing utensils, jewellery and accessories, etc.
- optional
- Can be retrofitted without any need for tools

Includes

2 long boxes (446 x 150 x 87 mm)
 1 small box (247 x 148 x 87 mm)
 1 large box (247 x 296 x 87 mm)
 2 metal clips

Technical data

Compatible with: Extendo
 Material: wood

Art. No.	Unit width (EB)	Colour	Width (B)	Depth (T)	Height (H)	Status
	mm		mm	mm	mm	
200.1674.36	900	natural oak	666	446	87	while stocks last



Pull-out shelf

Extendo with custom widths

The front of the shelf is directly accessible, and the shelf can be pulled out for easy access to the back.

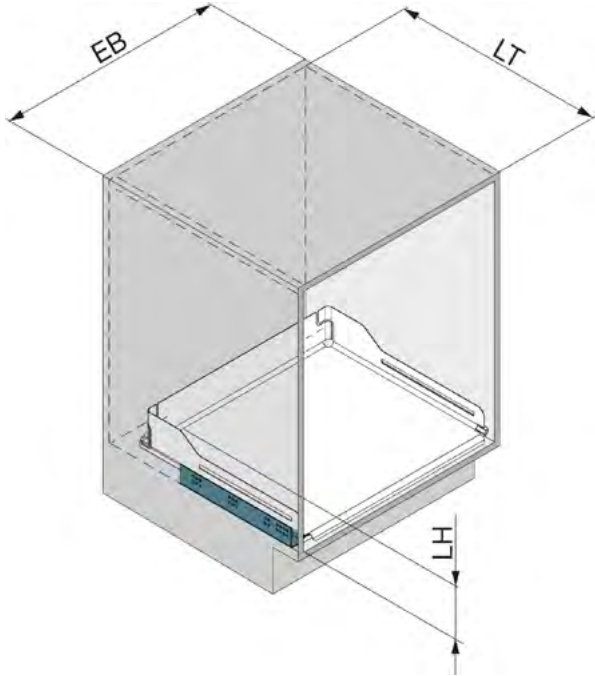
The versatile Extendo can be used either as a single pull-out shelf in a sideboard or as a complete system in a larder unit. Usually open at the front, Extendo provides a great overview and direct access to items at the front of the unit. When pulled out, it brings contents at the back within easy reach. Extendo takes up almost no unit space thanks to its thin walls made from extremely sturdy sheet steel. Its sleek, streamlined design harmonises perfectly with existing design schemes and is easy to clean. What's more, Extendo is a stylish solution for any application thanks to its range of matching accessories: in a shoe cupboard or wardrobe, in a tableware cabinet or larder unit, or as a pull-out shelf for appliances in the corner of your kitchen.



FEATURES AND BENEFITS

- + Direct access and a great overview of contents
- + Can be operated from above thanks to full extension
- + Maximum use of space thanks to thin-walled yet extremely sturdy metal shelves
- + Almost completely recyclable thanks to the use of sheet steel
- + The shelves' sleek design and closed base make them easy to clean
- + Simple design to match any style
- + Applications: Flexible shelf system with shelves that can be fully and individually extended, pull-out shelf for appliances in a dresser unit, temporary fixed work surface

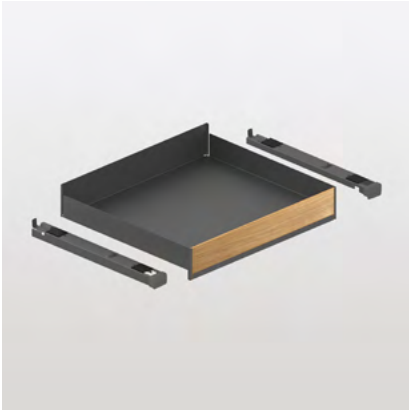
TECHNICAL DATA



Design line	Fioro/Libell
Barrier-free	yes
Unit width (EB)	270-605/599-905 mm
Model	Blum Legrabox
Colour	anthracite, natural oak/white/ silver/anthracite
Interior width (LB)	238-567/567-867 mm
Interior depth min. (LT)	480 mm
Interior height min. (LH)	153/155 mm

TECHNICAL CHARACTERISTICS

- ▶ Ingenious installation system with adapter, making it easy to attach to and remove from any runner
- ▶ With optional accessories, it can be used for storing clothes, shoes, tableware or groceries
- ▶ Combined with Click Stop, Extendo can be temporarily transformed into a fixed work surface
- ▶ Removable non-slip mats available as an option
- ▶ Without spacer for doorless units, sliding doors or doors with zero protrusion hinges
- ▶ Can be used with a range of sliding systems thanks to different runner adapters (excl. Blum Movento)
- ▶ Suitable for 16- or 19-mm-thick side panel



Pull-out shelf Extendo Fiore with custom widths

The front of the shelf is directly accessible, and the shelf can be pulled out for easy access to the back.

Includes

- 1 pull-out shelf incl. rail insert (without slides)
- 2 adapters (left+right)

Technical data

- Design line: Fiore
- Assembly with ClickFixx: yes
- Load capacity per shelf: 0-30 kg
- Drawer runner nominal length (NL): 450 mm
- Material: powder-coated sheet steel/wood

Art. No.	Unit width (EB)	Model	Colour	Rail height	Interior width (LB)	Interior depth min. (LT)	Interior height min. (LH)	Width (B)	Depth (T)	Height (H)
	mm			mm	mm	mm	mm	mm	mm	mm
200.2139.43	270-605	Blum Legrabox	anthracite, natural oak	35	238-567	480	153	238-567	480	117
200.2140.43	270-605	Blum Legrabox	anthracite, natural oak	87	238-567	480	153	238-567	480	117
200.2142.43	599-905	Blum Legrabox	anthracite, natural oak	35	567-867	480	153	567-867	480	133
200.2143.43	599-905	Blum Legrabox	anthracite, natural oak	87	567-867	480	153	567-867	480	133



Pull-out shelf Extendo Libell with custom widths

The front of the shelf is directly accessible, and the shelf can be pulled out for easy access to the back.

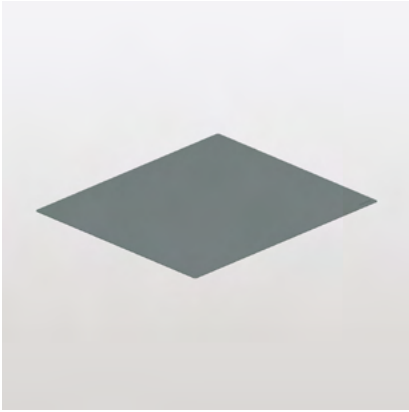
Includes

- 1 pull-out shelf (without slides)
- 2 adapters (left+right)

Technical data

- Design line: Libell
- Assembly with ClickFixx: yes
- Load capacity per shelf: 0-30 kg
- Drawer runner nominal length (NL): 450 mm
- Material: powder-coated sheet steel

Art. No.	Unit width (EB)	Model	Colour	Interior width (LB)	Interior depth min. (LT)	Interior height min. (LH)	Width (B)	Depth (T)	Height (H)
	mm			mm	mm	mm	mm	mm	mm
200.1508.01	270-605	Blum Legrabox	white	238-567	480	155	238-567	480	96
200.1508.12	270-605	Blum Legrabox	silver	238-567	480	155	238-567	480	96
200.1508.43	270-605	Blum Legrabox	anthracite	238-567	480	155	238-567	480	96
200.1509.01	599-905	Blum Legrabox	white	567-867	480	155	567-867	480	96
200.1509.12	599-905	Blum Legrabox	silver	567-867	480	155	567-867	480	96
200.1509.43	599-905	Blum Legrabox	anthracite	567-867	480	155	567-867	480	96



Non-slip mat Extendo Libell/Fioro

Lay the non-slip mat on the shelf to stabilise the stored items. To clean the mat, remove it from the shelf and rinse it under running water.

- Keeps items in place on the shelf
- Pleasant feel with a finely textured surface
- Reduces noise when items are stowed
- optional

Includes
1 non-slip mat

Technical data
Compatible with: Extendo Fioro/Libell
Material: silicone

Art. No.	Unit width (EB)	Spacer Type	Colour	Width (B)	Depth (T)	Height (H)
	mm			mm	mm	mm
200.2581.57	270-905	without	oyster white	900	600	1
200.2581.56	270-905	without	walnut grey	900	600	1



Concealed extension runner Blum Legrabox NL 450

The full-extension runner guides the system / shelf right out of the unit.

- With Softclose
- High load capacity of 40 kg

Includes
2 slides (left+right)

Technical data
Compatible with: Extendo Fioro, Extendo Libell, Trio Legrabox
Integrated Softclose: yes
Integrated Softopen: no
Load capacity: 0-40 kg
Drawer runner nominal length (NL): 450 mm
Material: zinc-plated sheet steel

Art. No.	Model	Colour	Width (B)	Depth (T)	Height (H)
			mm	mm	mm
200.1785.00	Blum Legrabox	zinc-plated	60/60	449	50



Click Stop locking mechanism set

The extended shelf locks automatically. To unlock it, simply pull it out again with one hand and the shelf moves back to its starting position.

Includes
2 guiding cams for side wall (left+right)
2 locking units for pull-out shelves (left+right)

Technical data
Compatible with: Extendo, wooden pull-out shelves, Trio Libell
Load capacity per shelf: 0-18 kg
Material: plastic

Art. No.	Model	Colour	Width (B)	Depth (T)	Height (H)
			mm	mm	mm
200.2666.51	right+left	white	178	18	55
200.2666.43	right+left	anthracite	178	18	55



Extra shelf Extendo

Position the extra shelf on the shelf and adjust to the required angle – no tools required.

- An extra level for dishes, pot lids, shoes, accessories, etc.
- Attaches magnetically to the base of the shelf
- Shelf can be tilted to three different positions
- optional

Includes
1 extra shelf

Technical data
Compatible with: Extendo
Material: powder-coated sheet steel/
plastic

Art. No.	Unit width (EB)	Spacer Type	Colour	Width (B)	Depth (T)	Height (H)
	mm			mm	mm	mm
200.2114.01	270-905	without	white	238-867	226	149/168/182
200.2114.12	270-905	without	silver	238-867	226	149/168/182
200.2114.43	270-905	without	anthracite	238-867	226	149/168/182



Divider set magnetic

Position the dividers on the base or wall of a metal shelf as required.

- For dividing the shelf into compartments to suit users' needs
- Keeps items in place on the shelf
- Attaches magnetically to the base or the side wall of the metal shelf
- optional

Includes
4 dividers

Technical data
Material: plastic

Art. No.	Unit width min. (EB)	Colour	Width (B)	Depth (T)	Height (H)
	mm		mm	mm	mm
200.2543.51	150	white	77.5	25/3	76
200.2543.52	150	grey	77.5	25/3	76
200.2543.43	150	anthracite	77.5	25/3	76



Drawer system

Riverso

System of drawers with overlaid fronts that can be opened from both sides, for island units and room dividers

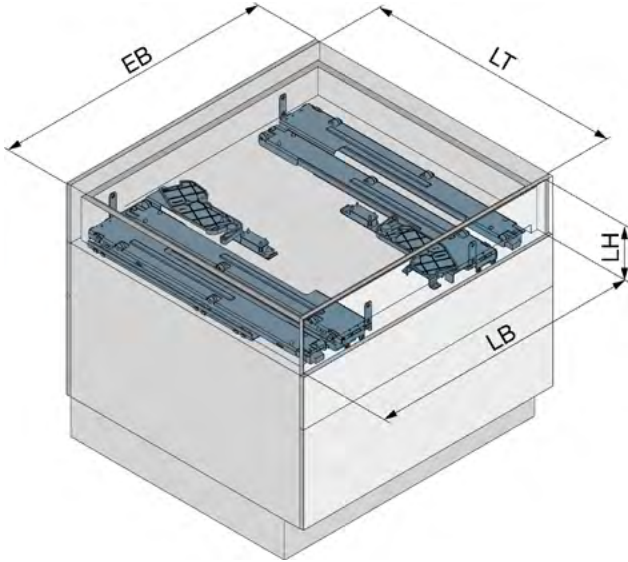
Riverso lets you open and use a drawer from two sides. Incorporated into kitchen islands or room dividers, it makes tasks and processes much more efficient. With the unique Riverso system, the drawer fronts overlay the unit walls on both sides: while one side is opened, the other remains closed. The design possibilities really are endless! Riverso is incredibly user-friendly too: the system is based on a full-extension draw runner with a load capacity of 46 kg and excellent running action, features soft-closing devices and can be fitted with a push-to-open system on one side for handleless fronts.



FEATURES AND BENEFITS

- + Full access to the entire contents of a drawer from two sides of the unit
- + Allows items to be passed between two rooms via the same drawer
- + Saves time and makes tasks and processes more efficient
- + The product opens the door to innovative solutions to meet specific needs
- + Applications: kitchen islands, shop counters, healthcare settings, room dividers, points of sale, beauty salons, laboratories, and more besides

TECHNICAL DATA



Handle-free fronts	optional
Barrier-free	yes
Integrated Softclose	yes
Integrated Softopen	no
Type	530/610/760
Unit width (EB)	550-915 mm
Colour	zinc-plated
Load capacity	0-46 kg
Interior width (LB)	512-883 mm
Interior depth (LT)	530-609/610-759/760-900 mm
Interior height min. (LH)	89 mm

TECHNICAL CHARACTERISTICS

- ▶ Suitable for custom-made furniture as not limited to specific dimensions or materials
- ▶ A push-to-open system can be fitted on one side, allowing the drawer to be opened without a handle
- ▶ Built-in Softclose mechanism ensures that the unit can be closed smoothly and silently
- ▶ High load capacity of 46 kg
- ▶ Frame overlays ensure a uniform appearance with neighbouring units
- ▶ Concealed sliding system mounted on a reinforced intermediate shelf or unit base
- ▶ The front panel is 3D-adjustable on both sides



Drawer system Rivero

System of drawers with overlaid fronts that can be opened from both sides, for island units and room dividers

Includes
2 drawer systems (left+right)

Technical data
 Integrated Softclose: yes
 Integrated Softopen: no
 Assembly with ClickFixx: no
 Load capacity: 0-46 kg
 Height of unit front max.: 250 mm
 Material: zinc-plated sheet steel

Art. No.	Type	Unit width (EB) mm	Colour	Interior width (LB) mm	Interior depth (LT) mm	Interior height min. (LH) mm	Width (B) mm	Depth (T) mm	Height (H) mm
200.2481.04	530	550-915	zinc-plated	512-883	530-609	89	512-883	530-609	89
200.2482.04	610	550-915	zinc-plated	512-883	610-759	89	512-883	610-759	89
200.2483.04	760	550-915	zinc-plated	512-883	760-900	89	512-883	760-900	89



Reinforcement bracket set Rivero

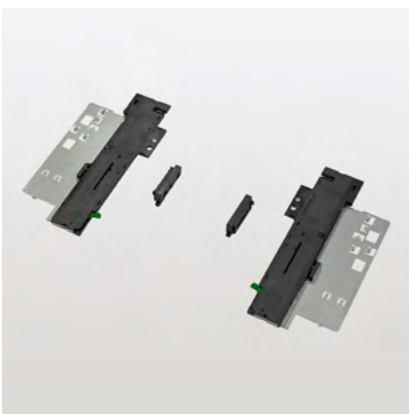
The brackets provide additional support for particularly high fronts.

- Recommended from a front height of 160 mm
- optional

Includes
4 reinforcement brackets

Technical data
 Compatible with: Rivero
 Assembly with ClickFixx: no
 From front height: 160 mm
 Material: zinc-plated sheet steel

Art. No.	Colour	Width (B) mm	Depth (T) mm	Height (H) mm
200.2662.04	zinc-plated	26	40	75



Grass Tipmatic Softclose Rivero

Tipmatic opens the front panel just get enough to allow a comfortable grip, while Softclose guides it for the final part of the closing movement.

- Handle-free opening and soft closing in one system
- Large activation zone thanks to synchronisation rod
- Can be retrofitted with Grass Dynapro at any time
- optional

Includes
1 Grass Tipmatic Softclose
1 assembly material

Technical data
 Compatible with: Rivero
 Assembly with ClickFixx: yes
 Material: plastic

Art. No.	Colour
200.2484.00	black



Grass Tipmatic synchronization bar **Riverso**

Tipmatic opens the front panel just get enough to allow a comfortable grip, while Softclose guides it for the final part of the closing movement.

- Can be cut as required
- Handle-free opening and soft closing in one system
- Large activation zone thanks to synchronisation rod
- optional

Includes

1 Grass Tipmatic synchronization bar

Technical data

Compatible with: Grass Tipmatic Soft-close

Assembly with ClickFixx: yes

Material: aluminium

Art. No.	Colour	Width (B)
		mm
200.2514.20	aluminium	952



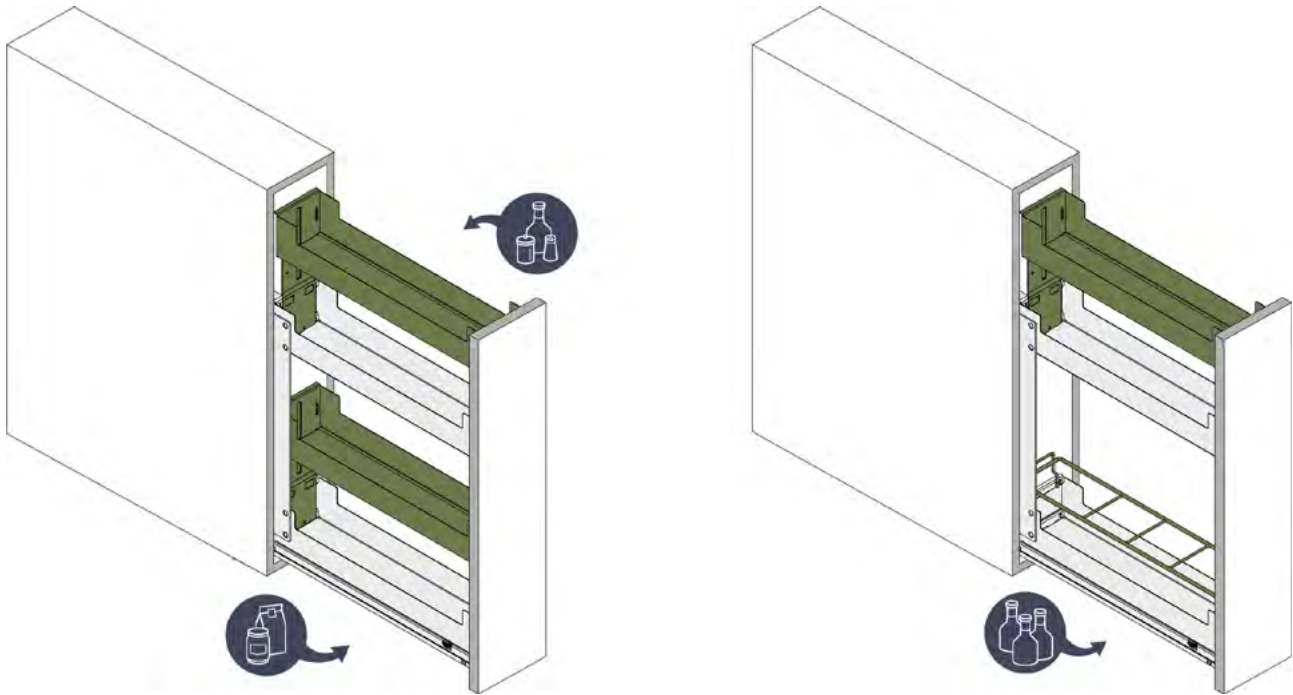
Base unit pull-out

Pinello Spice

Open the front pull-out for direct access to the full two to four levels of storage space.

Pinello Spice is the slim base unit pull-out with a surprising amount of storage space. Thanks to its thin-walled metal shelves, it makes maximum use of the 150-mm unit width and offers ample space for bottles and spices. Pinello Spice operates with concealed runners, providing a complete overview and easy access to your stored items immediately after opening. As with all members of the Pinello family, the extra shelf gives you one or two additional levels, which you can retrofit at any time without using tools. Each shelf has a removable silicone mat that prevents the contents from sliding around.

EXAMPLES OF APPLICATIONS

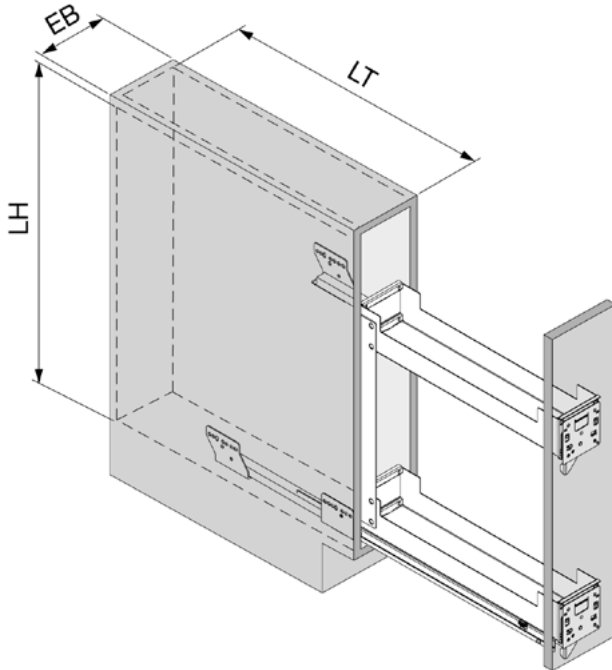


FEATURES AND BENEFITS

- + A great solution for those small spaces around the sink or cooker or to fill a gap
- + Maximum use of width thanks to thin-walled shelves
- + Optional extra shelf makes maximum use of height
- + Complete overview and easy access immediately after opening
- + Contents don't slip thanks to removable non-slip silicone mats
- + Closed shelf bases stop bottles from toppling and small items from falling through
- + Optional accessories allowing customised use of shelf space: extra shelf, bottle rack, magnetic dividers, oak railing inserts, push-to-open mechanism



TECHNICAL DATA



Design line	Liro
Handle-free fronts	optional
Barrier-free	yes
Type	right
Unit width (EB)	150 mm
Model	Blum Legrabox/Grass Nova Pro
Colour	white/silver/anthracite
Load capacity	0-30 kg
Interior width (LB)	112-118 mm
Interior depth min. (LT)	520/506 mm
Interior height min. (LH)	517/525 mm

TECHNICAL CHARACTERISTICS

- ▶ Softclose mechanism integrated in the drawer runner ensures that the unit can be closed smoothly and silently
- ▶ Push-to-open mechanism available as an option for handle-free fronts
- ▶ Can be pulled out smoothly thanks to high-quality concealed runners
- ▶ High level of lateral stability thanks to ingenious mechanism design (runner/frame/front bracket)
- ▶ Two unit heights and up to four levels possible with just one pair of runners
- ▶ Liro design enables multiple, individual styles with minimal additional storage costs
- ▶ Intuitive, easily accessible 3D front adjustment



Base unit pull-out Pinello Spice

Open the front pull-out for direct access to the full two to four levels of storage space.

Includes

- 1 basic set Pinello Spice (without slides)
- 2 150 mm front brackets
- 2 non-slip mats

Technical data

Design line: Liro
 Assembly with ClickFixx: yes
 Load capacity: 0-30 kg
 Material: powder-coated sheet steel

Art. No.	Type	Unit width (EB)	Model	Colour	Interior width (LB)	Interior depth min. (LT)	Interior height min. (LH)	Width (B)	Depth (T)	Height (H)
		mm			mm	mm	mm	mm	mm	mm
200.2518.01	right	150	Blum Legrabox	white	112-118	520	517	112-118	520	514
200.2518.12	right	150	Blum Legrabox	silver	112-118	520	517	112-118	520	514
200.2518.43	right	150	Blum Legrabox	anthracite	112-118	520	517	112-118	520	514
200.2519.01	right	150	Grass Nova Pro	white	112-118	506	525	112-118	506	522
200.2519.12	right	150	Grass Nova Pro	silver	112-118	506	525	112-118	506	522
200.2519.43	right	150	Grass Nova Pro	anthracite	112-118	506	525	112-118	506	522



Railing insert set Liro Pinello

Insert the rail into the slot provided in the Liro shelf

- Solid oak rail inserts
- Optional addition to Liro shelves as a style variation
- Goes well with wooden unit fronts and warm colours
- Can be retrofitted without any need for tools

Includes

- 2 rail inserts

Technical data

Compatible with: Pinello
 Design line: Liro
 Material: wood

Art. No.	Unit width (EB)	Colour	Width (B)	Depth (T)	Height (H)
	mm		mm	mm	mm
200.2539.36	150-300	natural oak	6/6	472.5/472.5	77/77
200.2539.66	150-300	stained oak	6/6	472.5/472.5	77/77



Extra shelf Pinello

Position the extra shelf on the Liro shelf – no tools required.

- For one or two extra levels and overheight units
- Can be positioned anywhere
- Can be retrofitted without any need for tools
- optional

Includes

- 1 extra shelf
- 1 non-slip mat

Technical data

Compatible with: Pinello
 Design line: Liro
 Material: powder-coated sheet steel

Art. No.	Unit width min. (EB)	Colour	Interior height min. (LH)	Width (B)	Depth (T)	Height (H)
	mm		mm	mm	mm	mm
200.2492.01	150	white	720	98	492	177/259
200.2492.12	150	silver	720	98	492	177/259
200.2492.43	150	anthracite	720	98	492	177/259



Pinello bottle partition

Attach the rack to the shelf – no tools required.

- Prevents bottles and spice jars of different sizes from toppling
- optional
- Tool-free assembly
- Can be retrofitted

Includes
1 bottle partition

Technical data
Compatible with: Pinello
Divider: 4
Material: powder-coated wire

Art. No.	Unit width (EB)	Colour	Width (B)	Depth (T)	Height (H)
	mm		mm	mm	mm
200.2599.01	150	white	98	491	63
200.2599.12	150	silver	98	491	63
200.2599.43	150	anthracite	98	491	63



Divider set magnetic

Position the dividers on the base or wall of a metal shelf as required.

- For dividing the shelf into compartments to suit users' needs
- Keeps items in place on the shelf
- Attaches magnetically to the base or the side wall of the metal shelf
- optional

Includes
4 dividers

Technical data
Material: plastic

Art. No.	Unit width min. (EB)	Colour	Width (B)	Depth (T)	Height (H)
	mm		mm	mm	mm
200.2543.51	150	white	77.5	25/3	76
200.2543.52	150	grey	77.5	25/3	76
200.2543.43	150	anthracite	77.5	25/3	76



Concealed extension runner Blum Legrabox

The full-extension runner guides the system / shelf right out of the unit.

- With Softclose
- High load capacity of 40 kg

Includes
2 slides (left+right)

Technical data
Compatible with: Pinello, Extendo Liro
Integrated Softclose: yes
Integrated Softopen: no
Load capacity: 0-40 kg
Material: zinc-plated sheet steel

Art. No.	Model	Colour	Width (B)	Depth (T)	Height (H)
			mm	mm	mm
200.2515.04	Blum Legrabox	zinc-plated	60/60	499	50



Concealed extension runner Grass Nova Pro

The full-extension runner guides the system / shelf right out of the unit.

- With Softclose
- High load capacity of 40 kg

Includes
2 slides (left+right)

Technical data
Compatible with: Pinello
Integrated Softclose: yes
Integrated Softopen: no
Load capacity: 0-40 kg
Material: zinc-plated sheet steel

Art. No.	Type	Model	Colour	Width (B)	Depth (T)	Height (H)
				mm	mm	mm
200.2516.04	EB29	Grass Nova Pro	zinc-plated	28/28	490	65



Push-to-open Blum Legrabox Pinello

Push on the front panel and it will open just enough to allow a comfortable grip.

- Opens handleless fronts just enough to allow a comfortable grip
- Easy to operate by applying gentle pressure
- Can be retrofitted
- optional

Includes
1 Push-to-open
1 trigger

Technical data
Compatible with: Pinello
Assembly with ClickFixx: yes
Material: zinc-plated sheet steel

Art. No.	Type	Model	Colour
200.2551.04	right	Blum Legrabox	zinc-plated



Push-to-open Grass Nova Pro Pinello

Push on the front panel and it will open just enough to allow a comfortable grip.

- Opens handleless fronts just enough to allow a comfortable grip
- Easy to operate by applying gentle pressure
- Can be retrofitted
- optional

Includes
1 Push-to-open
1 trigger

Technical data
Compatible with: Pinello
Assembly with ClickFixx: yes
Material: zinc-plated sheet steel

Art. No.	Type	Model	Colour
200.2553.04	right	Grass Nova Pro	zinc-plated



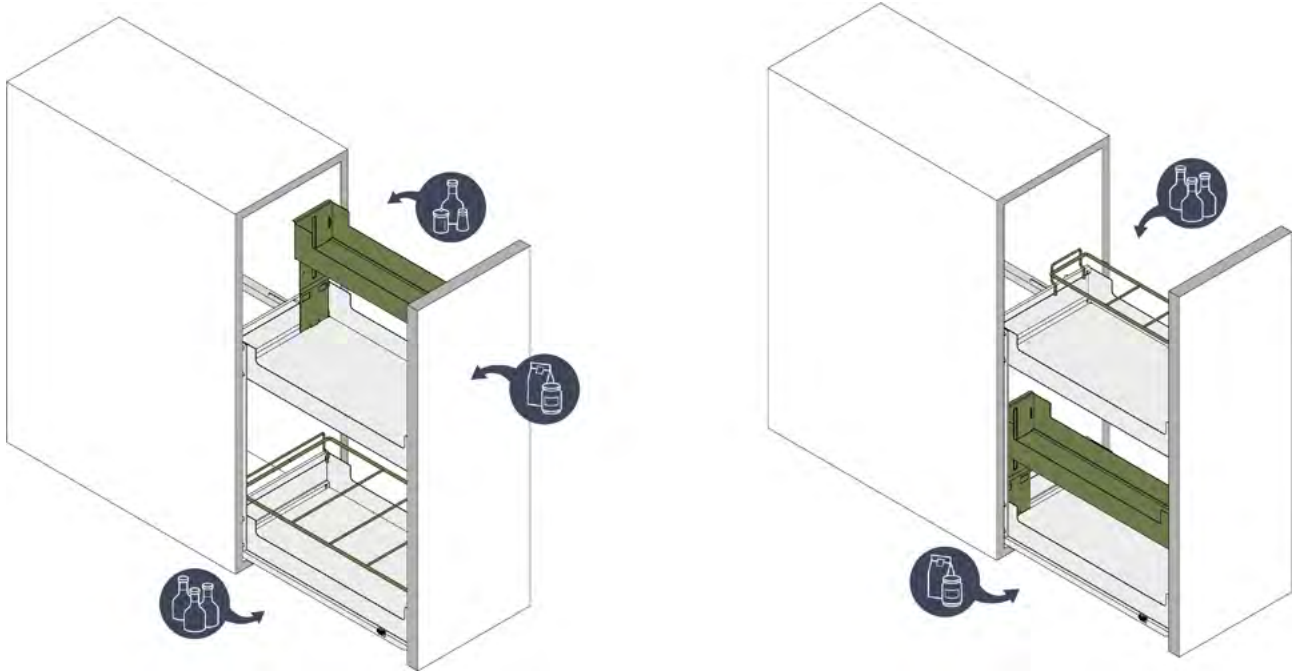
Base unit pull-out

Pinello Cargo

Open the front pull-out for direct access to the full two to four levels of storage space.

The ‚big daddy‘ of base unit pull-outs! Pinello Cargo boasts an incredible amount of storage space. Up to four levels are possible with one mechanism, and how you organise them is entirely up to you. You can position the extra shelves on the right, left or in the middle as an intermediate shelf – without the need for any tools! And with the help of magnetic dividers or the bottle rack, you can arrange the space just as you like. Each shelf has a removable silicone mat that prevents the contents from sliding around. Pinello Cargo also features concealed runners, giving you a complete overview and easy access to your stored items immediately after opening.

EXAMPLES OF APPLICATIONS

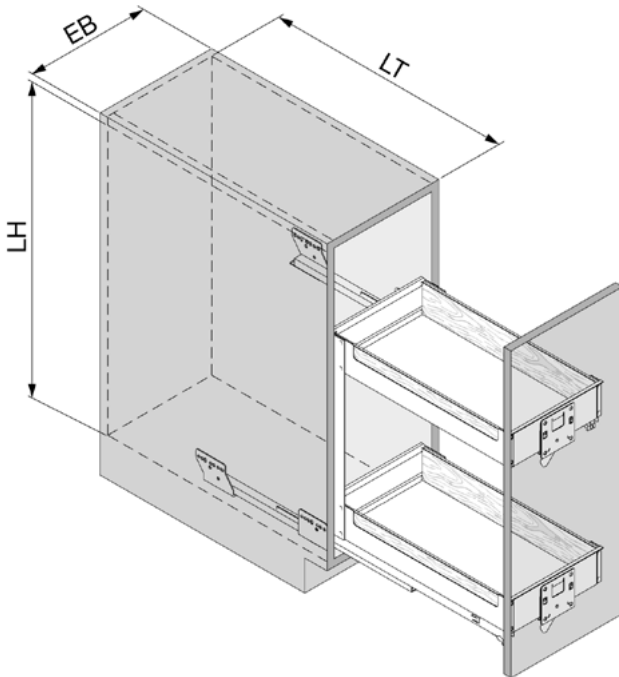


FEATURES AND BENEFITS

- + Complete overview and easy access immediately after opening
- + Maximum use of width thanks to thin-walled shelves
- + Optional extra shelf makes maximum use of height
- + Optional accessories allowing customised use of shelf space: extra shelf, bottle rack, magnetic dividers, oak railing inserts, push-to-open mechanism
- + Contents don't slip thanks to removable non-slip silicone mats
- + Closed shelf bases stop bottles from toppling and small items from falling through



TECHNICAL DATA



Design line	Liro
Handle-free fronts	optional
Barrier-free	yes
Type	right
Unit width (EB)	200/300 mm
Model	Blum Legrabox/Grass Nova Pro
Colour	white/silver/anthracite
Load capacity	0-30 kg
Interior width (LB)	162-168/262-268 mm
Interior depth min. (LT)	506/520 mm
Interior height min. (LH)	517/525 mm

TECHNICAL CHARACTERISTICS

- ▶ Softclose mechanism integrated in the drawer runner ensures that the unit can be closed smoothly and silently
- ▶ Push-to-open mechanism available as an option for handle-free fronts
- ▶ Can be pulled out smoothly thanks to high-quality concealed runners
- ▶ High level of lateral stability thanks to ingenious mechanism design (runner/frame/front bracket)
- ▶ Liro design enables multiple, individual styles with minimal additional storage costs
- ▶ Intuitive, easily accessible 3D front adjustment
- ▶ Maintenance-free technology



Base unit pull-out Pinello Cargo

Open the front pull-out for direct access to the full two to four levels of storage space.

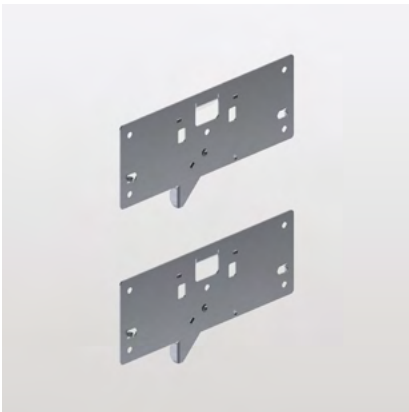
Includes

1 basic set Pinello Cargo (without slides)
2 150 mm front brackets
2 non-slip mats

Technical data

Design line: Liro
Assembly with ClickFixx: yes
Load capacity: 0-30 kg
Material: powder-coated sheet steel

Art. No.	Type	Unit width (EB)	Model	Colour	Interior width (LB)	Interior depth min. (LT)	Interior height min. (LH)	Width (B)	Depth (T)	Height (H)
		mm			mm	mm	mm	mm	mm	mm
200.2522.01	right	200	Blum Legrabox	white	162-168	520	517	162-168	520	514
200.2522.12	right	200	Blum Legrabox	silver	162-168	520	517	162-168	520	514
200.2522.43	right	200	Blum Legrabox	anthracite	162-168	520	517	162-168	520	514
200.2523.01	right	200	Grass Nova Pro	white	162-168	506	525	162-168	506	522
200.2523.12	right	200	Grass Nova Pro	silver	162-168	506	525	162-168	506	522
200.2523.43	right	200	Grass Nova Pro	anthracite	162-168	506	525	162-168	506	522
200.2524.01	right	300	Blum Legrabox	white	262-268	520	517	262-268	520	514
200.2524.12	right	300	Blum Legrabox	silver	262-268	520	517	262-268	520	514
200.2524.43	right	300	Blum Legrabox	anthracite	262-268	520	517	262-268	520	514
200.2525.01	right	300	Grass Nova Pro	white	262-268	506	525	262-268	506	522
200.2525.12	right	300	Grass Nova Pro	silver	262-268	506	525	262-268	506	522
200.2525.43	right	300	Grass Nova Pro	anthracite	262-268	506	525	262-268	506	522



Pinello front bracket set for framed front panels

The front brackets bridge the gap between the mechanism and a framed front.

- Allows use with framed fronts
- optional

Includes

2 front brackets

Technical data

Compatible with: Pinello
Assembly with ClickFixx: yes
Material: zinc-plated sheet steel

Art. No.	Unit width (EB)	Colour	Width (B)
	mm		mm
200.2536.04	200	zinc-plated	140
200.2537.04	300	zinc-plated	240



Railing insert set Liro Pinello

Insert the rail into the slot provided in the Liro shelf

- Solid oak rail inserts
- Optional addition to Liro shelves as a style variation
- Goes well with wooden unit fronts and warm colours
- Can be retrofitted without any need for tools

Includes
2 rail inserts

Technical data
Compatible with: Pinello
Design line: Liro
Material: wood

Art. No.	Unit width (EB)	Colour	Width (B)	Depth (T)	Height (H)
	mm		mm	mm	mm
200.2539.36	150-300	natural oak	6/6	472.5/472.5	77/77
200.2539.66	150-300	stained oak	6/6	472.5/472.5	77/77



Extra shelf Pinello

Position the extra shelf on the Liro shelf – no tools required.

- For one or two extra levels and overheight units
- Can be positioned anywhere
- Can be retrofitted without any need for tools
- optional

Includes
1 extra shelf
1 non-slip mat

Technical data
Compatible with: Pinello
Design line: Liro
Material: powder-coated sheet steel

Art. No.	Unit width min. (EB)	Colour	Interior height min. (LH)	Width (B)	Depth (T)	Height (H)
	mm		mm	mm	mm	mm
200.2492.01	150	white	720	98	492	177/259
200.2492.12	150	silver	720	98	492	177/259
200.2492.43	150	anthracite	720	98	492	177/259



Pinello bottle partition

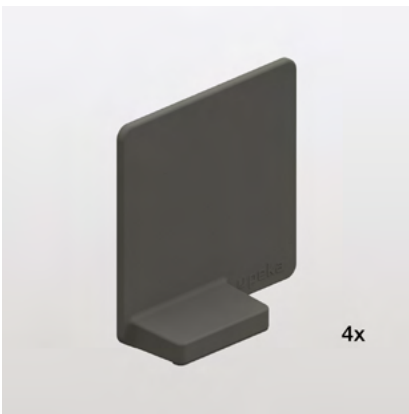
Attach the rack to the shelf – no tools required.

- Prevents bottles and spice jars of different sizes from toppling
- optional
- Tool-free assembly
- Can be retrofitted

Includes
1 bottle partition

Technical data
Compatible with: Pinello
Divider: 4
Material: powder-coated wire

Art. No.	Unit width (EB)	Colour	Width (B)	Depth (T)	Height (H)
	mm		mm	mm	mm
200.2599.01	150	white	98	491	63
200.2599.12	150	silver	98	491	63
200.2599.43	150	anthracite	98	491	63
200.2600.01	200	white	148	491	63
200.2600.12	200	silver	148	491	63
200.2600.43	200	anthracite	148	491	63
200.2601.01	300	white	248	491	63
200.2601.12	300	silver	248	491	63
200.2601.43	300	anthracite	248	491	63



Divider set magnetic

Position the dividers on the base or wall of a metal shelf as required.

- For dividing the shelf into compartments to suit users' needs
- Keeps items in place on the shelf
- Attaches magnetically to the base or the side wall of the metal shelf
- optional

Includes
4 dividers

Technical data
Material: plastic

Art. No.	Unit width min. (EB)	Colour	Width (B)	Depth (T)	Height (H)
	mm		mm	mm	mm
200.2543.51	150	white	77.5	25/3	76
200.2543.52	150	grey	77.5	25/3	76
200.2543.43	150	anthracite	77.5	25/3	76



Concealed extension runner Blum Legrabox

The full-extension runner guides the system / shelf right out of the unit.

- With Softclose
- High load capacity of 40 kg

Includes
2 slides (left+right)

Technical data
Compatible with: Pinello, Extendo Liro
Integrated Softclose: yes
Integrated Softopen: no
Load capacity: 0-40 kg
Material: zinc-plated sheet steel

Art. No.	Model	Colour	Width (B)	Depth (T)	Height (H)
			mm	mm	mm
200.2515.04	Blum Legrabox	zinc-plated	60/60	499	50



Concealed extension runner Grass Nova Pro

The full-extension runner guides the system / shelf right out of the unit.

- With Softclose
- High load capacity of 40 kg

Includes
2 slides (left+right)

Technical data
Compatible with: Pinello
Integrated Softclose: yes
Integrated Softopen: no
Load capacity: 0-40 kg
Material: zinc-plated sheet steel

Art. No.	Type	Model	Colour	Width (B)	Depth (T)	Height (H)
				mm	mm	mm
200.2516.04	EB29	Grass Nova Pro	zinc-plated	28/28	490	65



Push-to-open Blum Legrabox Pinello

Push on the front panel and it will open just enough to allow a comfortable grip.

- Opens handleless fronts just enough to allow a comfortable grip
- Easy to operate by applying gentle pressure
- Can be retrofitted
- optional

Includes
1 Push-to-open
1 trigger

Technical data
Compatible with: Pinello
Assembly with ClickFixx: yes
Material: zinc-plated sheet steel

Art. No.	Type	Model	Colour
200.2551.04	right	Blum Legrabox	zinc-plated



Push-to-open Grass Nova Pro Pinello

Push on the front panel and it will open just enough to allow a comfortable grip.

- Opens handleless fronts just enough to allow a comfortable grip
- Easy to operate by applying gentle pressure
- Can be retrofitted
- optional

Includes
1 Push-to-open
1 trigger

Technical data
Compatible with: Pinello
Assembly with ClickFixx: yes
Material: zinc-plated sheet steel

Art. No.	Type	Model	Colour
200.2553.04	right	Grass Nova Pro	zinc-plated

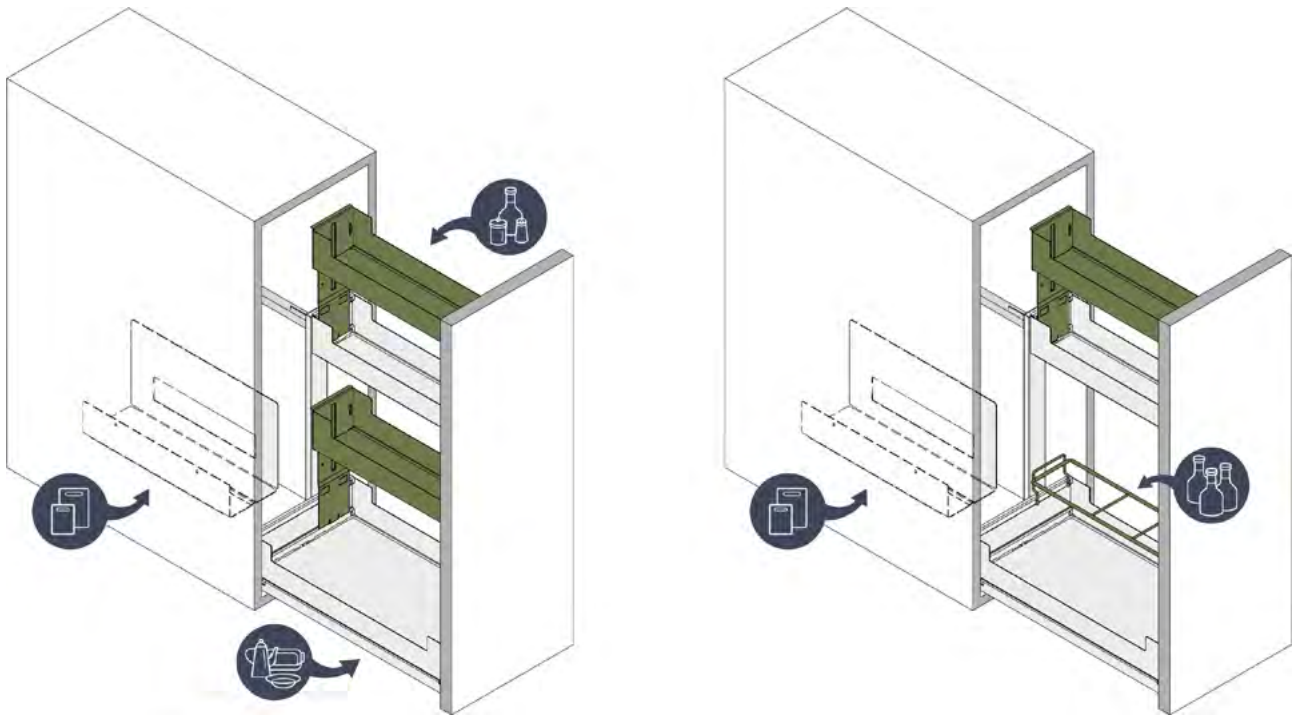


Base unit pull-out Pinello Board

Open the front pull-out for direct access to chopping boards and baking trays or the two to four levels of storage space.

Finally, an ingenious solution for boards and trays! With its special tray holder, Pinello Board stows your boards and trays safely in the unit, without rattling. They are stored upright so you can easily access individual boards and trays. The base unit pull-out also boasts a generous amount of storage space. Making full use of all three dimensions within the unit, it also allows you to organise the space flexibly: the tray holder is screwed to the unit at the desired height, and optional extra shelves allow you to create up to four additional levels. Thanks to the concealed runners, you have a complete overview and easy access to the entire contents immediately after opening.

EXAMPLES OF APPLICATIONS

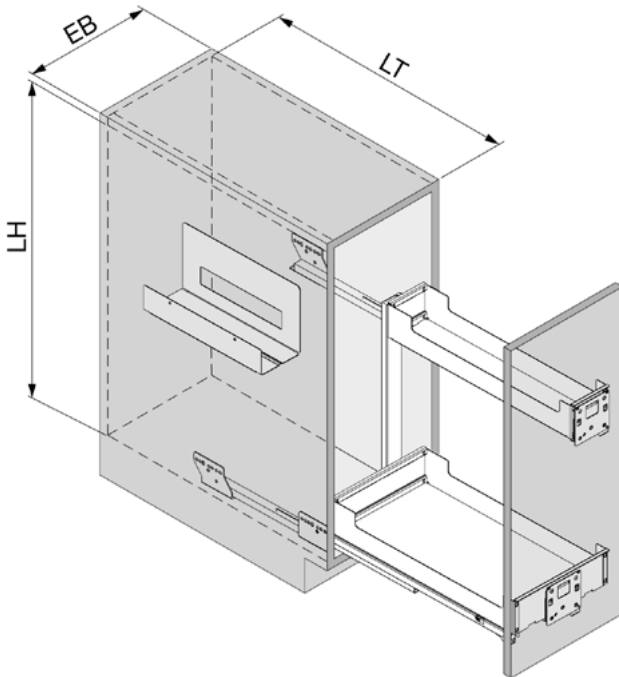


FEATURES AND BENEFITS

- + A baking-tray pull-out that doesn't rattle when opened, as boards and trays remain inside the unit
- + Trays and chopping boards are stored vertically and don't slide around
- + Complete overview and easy access immediately after opening
- + Maximum use of width thanks to thin-walled shelves
- + Optional extra shelf makes maximum use of height
- + Optional accessories allowing customised use of shelf space: extra shelf, bottle rack, magnetic dividers, oak railing inserts, push-to-open mechanism
- + Closed shelf bases stop bottles from toppling and small items from falling through



TECHNICAL DATA



Design line	Liro
Handle-free fronts	optional
Barrier-free	yes
Type	right/left
Unit width (EB)	300 mm
Model	Blum Legrabox/Grass Nova Pro
Colour	white/silver/anthracite
Load capacity	0-30 kg
Interior width (LB)	262-268 mm
Interior depth min. (LT)	506/520 mm
Interior height min. (LH)	517/525 mm

TECHNICAL CHARACTERISTICS

- ▶ Softclose mechanism integrated in the drawer runner ensures that the unit can be closed smoothly and silently
- ▶ Push-to-open mechanism available as an option for handle-free fronts
- ▶ Can be pulled out smoothly thanks to high-quality concealed runners
- ▶ High level of lateral stability thanks to ingenious mechanism design (runner/frame/front bracket)
- ▶ Tray holder that is height-adjustable to your needs
- ▶ The baking-tray holder is screwed to the unit, so there is no additional load on the runners
- ▶ Two unit heights and up to four levels possible with just one pair of runners



Pinello Board base unit pull-out right

Open the front pull-out for direct access to chopping boards and baking trays or the two to four levels of storage space.

Includes

1 basic set Pinello Board (without slides)
2 150 mm front brackets
2 non-slip mats

Technical data

Design line: Liro
Assembly with ClickFixx: yes
Load capacity: 0-30 kg
Material: powder-coated sheet steel

Art. No.	Type	Unit width (EB)	Model	Colour	Interior width (LB)	Interior depth min. (LT)	Interior height min. (LH)	Width (B)	Depth (T)	Height (H)
		mm			mm	mm	mm	mm	mm	mm
200.2526.01	right	300	Blum Legrabox	white	262-268	520	517	262-268	520	514
200.2526.12	right	300	Blum Legrabox	silver	262-268	520	517	262-268	520	514
200.2526.43	right	300	Blum Legrabox	anthracite	262-268	520	517	262-268	520	514
200.2528.01	right	300	Grass Nova Pro	white	262-268	506	525	262-268	506	522
200.2528.12	right	300	Grass Nova Pro	silver	262-268	506	525	262-268	506	522
200.2528.43	right	300	Grass Nova Pro	anthracite	262-268	506	525	262-268	506	522



Pinello Board base unit pull-out left

Open the front pull-out for direct access to chopping boards and baking trays or the two to four levels of storage space.

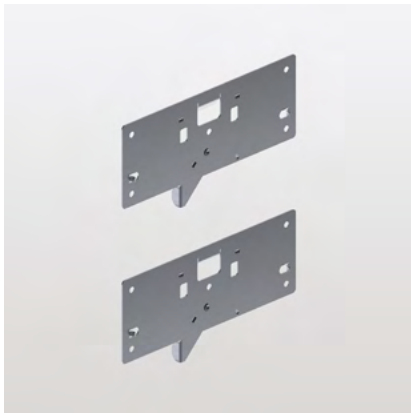
Includes

1 basic set Pinello Board (without slides)
2 150 mm front brackets
2 non-slip mats

Technical data

Design line: Liro
Assembly with ClickFixx: yes
Load capacity: 0-30 kg
Material: powder-coated sheet steel

Art. No.	Type	Unit width (EB)	Model	Colour	Interior width (LB)	Interior depth min. (LT)	Interior height min. (LH)	Width (B)	Depth (T)	Height (H)
		mm			mm	mm	mm	mm	mm	mm
200.2527.01	left	300	Blum Legrabox	white	262-268	520	517	262-268	520	514
200.2527.12	left	300	Blum Legrabox	silver	262-268	520	517	262-268	520	514
200.2527.43	left	300	Blum Legrabox	anthracite	262-268	520	517	262-268	520	514
200.2529.01	left	300	Grass Nova Pro	white	262-268	506	525	262-268	506	522
200.2529.12	left	300	Grass Nova Pro	silver	262-268	506	525	262-268	506	522
200.2529.43	left	300	Grass Nova Pro	anthracite	262-268	506	525	262-268	506	522



Pinello front bracket set for framed front panels

The front brackets bridge the gap between the mechanism and a framed front.

- Allows use with framed fronts
- optional

Includes
2 front brackets

Technical data
Compatible with: Pinello
Assembly with ClickFixx: yes
Material: zinc-plated sheet steel

Art. No.	Unit width (EB)	Colour	Width (B)
	mm		mm
200.2537.04	300	zinc-plated	240



Railing insert set Liro Pinello

Insert the rail into the slot provided in the Liro shelf

- Solid oak rail inserts
- Optional addition to Liro shelves as a style variation
- Goes well with wooden unit fronts and warm colours
- Can be retrofitted without any need for tools

Includes
2 rail inserts

Technical data
Compatible with: Pinello
Design line: Liro
Material: wood

Art. No.	Unit width (EB)	Colour	Width (B)	Depth (T)	Height (H)
	mm		mm	mm	mm
200.2539.36	150-300	natural oak	6/6	472.5/472.5	77/77
200.2539.66	150-300	stained oak	6/6	472.5/472.5	77/77



Extra shelf Pinello

Position the extra shelf on the Liro shelf – no tools required.

- For one or two extra levels and overheight units
- Can be positioned anywhere
- Can be retrofitted without any need for tools
- optional

Includes
1 extra shelf
1 non-slip mat

Technical data
Compatible with: Pinello
Design line: Liro
Material: powder-coated sheet steel

Art. No.	Unit width min. (EB)	Colour	Interior height min. (LH)	Width (B)	Depth (T)	Height (H)
	mm		mm	mm	mm	mm
200.2492.01	150	white	720	98	492	177/259
200.2492.12	150	silver	720	98	492	177/259
200.2492.43	150	anthracite	720	98	492	177/259



Pinello bottle partition

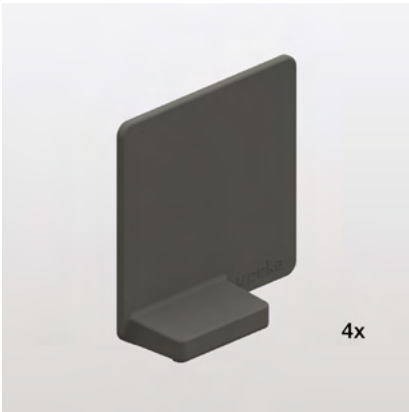
Attach the rack to the shelf – no tools required.

- Prevents bottles and spice jars of different sizes from toppling
- optional
- Tool-free assembly
- Can be retrofitted

Includes
1 bottle partition

Technical data
Compatible with: Pinello
Divider: 4
Material: powder-coated wire

Art. No.	Unit width (EB)	Colour	Width (B)	Depth (T)	Height (H)
	mm		mm	mm	mm
200.2599.01	150	white	98	491	63
200.2599.12	150	silver	98	491	63
200.2599.43	150	anthracite	98	491	63



Divider set magnetic

Position the dividers on the base or wall of a metal shelf as required.

- For dividing the shelf into compartments to suit users' needs
- Keeps items in place on the shelf
- Attaches magnetically to the base or the side wall of the metal shelf
- optional

Includes
4 dividers

Technical data
Material: plastic

Art. No.	Unit width min. (EB)	Colour	Width (B)	Depth (T)	Height (H)
	mm		mm	mm	mm
200.2543.51	150	white	77.5	25/3	76
200.2543.52	150	grey	77.5	25/3	76
200.2543.43	150	anthracite	77.5	25/3	76



Concealed extension runner Blum Legrabox

The full-extension runner guides the system / shelf right out of the unit.

- With Softclose
- High load capacity of 40 kg

Includes
2 slides (left+right)

Technical data
Compatible with: Pinello, Extendo Liro
Integrated Softclose: yes
Integrated Softopen: no
Load capacity: 0-40 kg
Material: zinc-plated sheet steel

Art. No.	Model	Colour	Width (B)	Depth (T)	Height (H)
			mm	mm	mm
200.2515.04	Blum Legrabox	zinc-plated	60/60	499	50



Concealed extension runner Grass Nova Pro

The full-extension runner guides the system / shelf right out of the unit.

- With Softclose
- High load capacity of 40 kg

Includes
2 slides (left+right)

Technical data
Compatible with: Pinello
Integrated Softclose: yes
Integrated Softopen: no
Load capacity: 0-40 kg
Material: zinc-plated sheet steel

Art. No.	Type	Model	Colour	Width (B)	Depth (T)	Height (H)
				mm	mm	mm
200.2516.04	EB29	Grass Nova Pro	zinc-plated	28/28	490	65



Push-to-open Blum Legrabox Pinello

Push on the front panel and it will open just enough to allow a comfortable grip.

- Opens handleless fronts just enough to allow a comfortable grip
- Easy to operate by applying gentle pressure
- Can be retrofitted
- optional

Includes
1 Push-to-open
1 trigger

Technical data
Compatible with: Pinello
Assembly with ClickFixx: yes
Material: zinc-plated sheet steel

Art. No.	Type	Model	Colour
200.2551.04	right	Blum Legrabox	zinc-plated
200.2550.04	left	Blum Legrabox	zinc-plated



Push-to-open Grass Nova Pro Pinello

Push on the front panel and it will open just enough to allow a comfortable grip.

- Opens handleless fronts just enough to allow a comfortable grip
- Easy to operate by applying gentle pressure
- Can be retrofitted
- optional

Includes
 1 Push-to-open
 1 trigger

Technical data
 Compatible with: Pinello
 Assembly with ClickFixx: yes
 Material: zinc-plated sheet steel

Art. No.	Type	Model	Colour
200.2553.04	right	Grass Nova Pro	zinc-plated
200.2552.04	left	Grass Nova Pro	zinc-plated



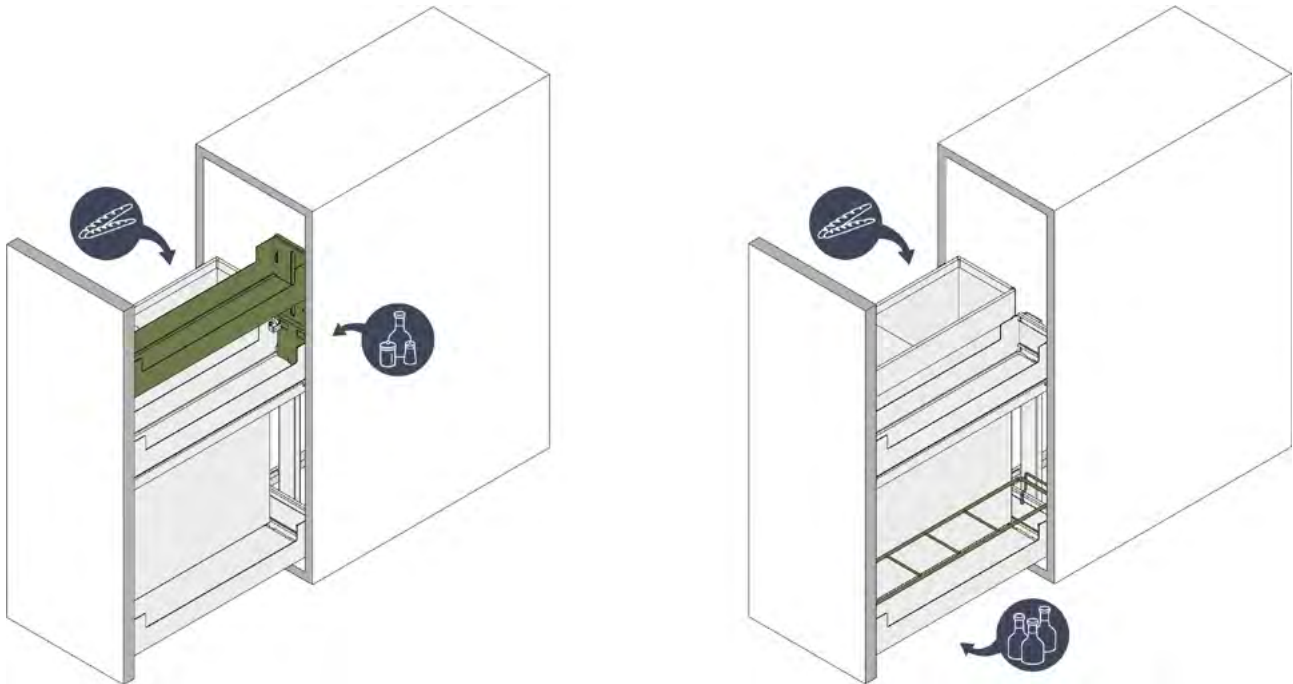
Base unit pull-out

Pinello Bread

Open the front pull-out for direct access to the contents of the bread bag and the two to four levels of storage space.

Pinello Bread is our base unit pull-out offering hygienic storage of bread and baguettes plus plenty of additional storage space. Hanging in the bread bag, your bread will not get squashed and will stay fresh. The internal divider allows you to sort your bread inside the bag. The bag is easy to hang up and take down and can be washed (40°C). As with all members of the Pinello family, the extra shelf gives you one or two additional levels, which you can retrofit at any time without using tools. Each shelf has a removable silicone mat that prevents the contents from sliding around. Thanks to concealed runners, you have easy access to all the contents immediately after opening the front!

EXAMPLES OF APPLICATIONS

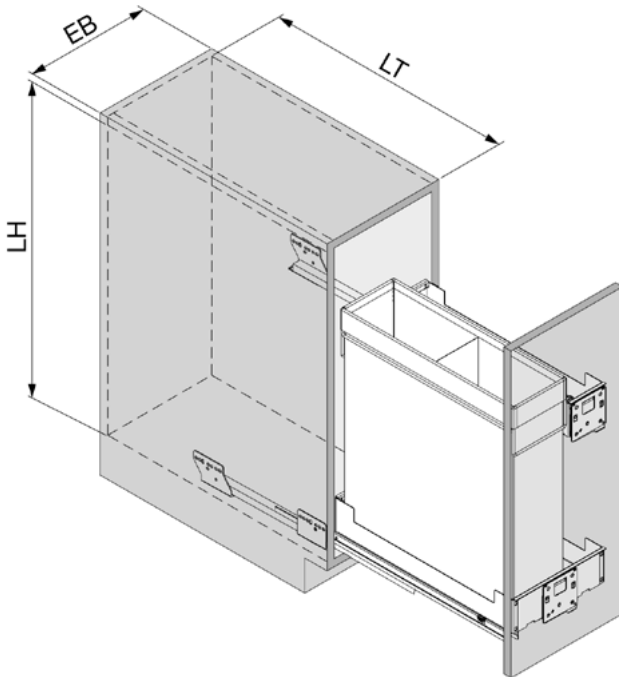


FEATURES AND BENEFITS

- + Polyester/cotton bread bag keeps stored bread clean without squashing it
- + The bag is easy to hang up and remove for washing (40°C)
- + The divider in the middle of the bread bag allows different bread products to be kept separately
- + Maximum use of width thanks to thin-walled shelves
- + Optional extra shelf makes maximum use of height
- + Complete overview and easy access immediately after opening
- + Optional accessories allowing customised use of shelf space: extra shelf, bottle rack, magnetic dividers, oak railing inserts, push-to-open mechanism
- + Contents don't slip thanks to removable non-slip silicone mats
- + Closed shelf bases stop bottles from toppling and small items from falling through



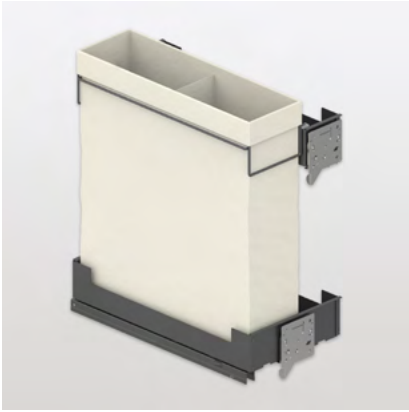
TECHNICAL DATA



Design line	Liro
Handle-free fronts	optional
Barrier-free	yes
Type	right
Unit width (EB)	300 mm
Model	Blum Legrabox/Grass Nova Pro
Colour	white/silver/anthracite
Load capacity	0-30 kg
Interior width (LB)	262-268 mm
Interior depth min. (LT)	506/520 mm
Interior height min. (LH)	602/610 mm

TECHNICAL CHARACTERISTICS

- ▶ Softclose mechanism integrated in the drawer runner ensures that the unit can be closed smoothly and silently
- ▶ Push-to-open mechanism available as an option for handle-free fronts
- ▶ Can be pulled out smoothly thanks to high-quality concealed runners
- ▶ High level of lateral stability thanks to ingenious mechanism design (runner/frame/front bracket)
- ▶ Two unit heights and up to four levels possible with just one pair of runners
- ▶ Intuitive, easily accessible 3D front adjustment
- ▶ Liro design enables multiple, individual styles with minimal additional storage costs



Base unit pull-out Pinello Bread

Open the front pull-out for direct access to the contents of the bread bag and the two to four levels of storage space.

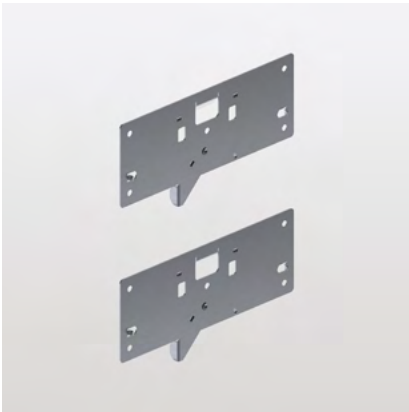
Includes

1 basic set Pinello Bread (without slides)
2 150 mm front brackets
2 non-slip mats

Technical data

Design line: Liro
Assembly with ClickFixx: yes
Load capacity: 0-30 kg
Material: powder-coated steel/textile

Art. No.	Type	Unit width (EB)	Model	Colour	Interior width (LB)	Interior depth min. (LT)	Interior height min. (LH)	Width (B)	Depth (T)	Height (H)
		mm			mm	mm	mm	mm	mm	mm
200.2534.01	right	300	Blum Legrabox	white	262-268	520	602	262-268	520	572
200.2534.12	right	300	Blum Legrabox	silver	262-268	520	602	262-268	520	572
200.2534.43	right	300	Blum Legrabox	anthracite	262-268	520	602	262-268	520	572
200.2535.01	right	300	Grass Nova Pro	white	262-268	506	610	262-268	506	580
200.2535.12	right	300	Grass Nova Pro	silver	262-268	506	610	262-268	506	580
200.2535.43	right	300	Grass Nova Pro	anthracite	262-268	506	610	262-268	506	580



Pinello front bracket set for framed front panels

The front brackets bridge the gap between the mechanism and a framed front.

- Allows use with framed fronts
- optional

Includes

2 front brackets

Technical data

Compatible with: Pinello
Assembly with ClickFixx: yes
Material: zinc-plated sheet steel

Art. No.	Unit width (EB)	Colour	Width (B)
	mm		mm
200.2537.04	300	zinc-plated	240



Railing insert set Liro Pinello

Insert the rail into the slot provided in the Liro shelf

- Solid oak rail inserts
- Optional addition to Liro shelves as a style variation
- Goes well with wooden unit fronts and warm colours
- Can be retrofitted without any need for tools

Includes
2 rail inserts

Technical data
Compatible with: Pinello
Design line: Liro
Material: wood

Art. No.	Unit width (EB)	Colour	Width (B)	Depth (T)	Height (H)
	mm		mm	mm	mm
200.2539.36	150-300	natural oak	6/6	472.5/472.5	77/77
200.2539.66	150-300	stained oak	6/6	472.5/472.5	77/77



Extra shelf Pinello

Position the extra shelf on the Liro shelf – no tools required.

- For one or two extra levels and overheight units
- Can be positioned anywhere
- Can be retrofitted without any need for tools
- optional

Includes
1 extra shelf
1 non-slip mat

Technical data
Compatible with: Pinello
Design line: Liro
Material: powder-coated sheet steel

Art. No.	Unit width min. (EB)	Colour	Interior height min. (LH)	Width (B)	Depth (T)	Height (H)
	mm		mm	mm	mm	mm
200.2492.01	150	white	720	98	492	177/259
200.2492.12	150	silver	720	98	492	177/259
200.2492.43	150	anthracite	720	98	492	177/259



Pinello bottle partition

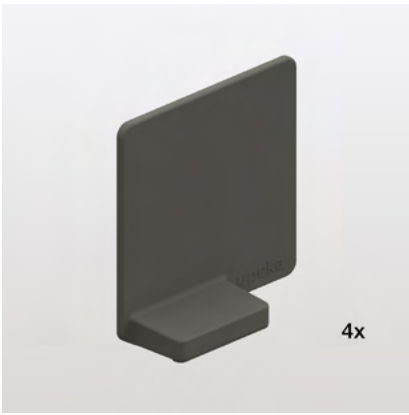
Attach the rack to the shelf – no tools required.

- Prevents bottles and spice jars of different sizes from toppling
- optional
- Tool-free assembly
- Can be retrofitted

Includes
1 bottle partition

Technical data
Compatible with: Pinello
Divider: 4
Material: powder-coated wire

Art. No.	Unit width (EB)	Colour	Width (B)	Depth (T)	Height (H)
	mm		mm	mm	mm
200.2599.01	150	white	98	491	63
200.2599.12	150	silver	98	491	63
200.2599.43	150	anthracite	98	491	63



Divider set magnetic

Position the dividers on the base or wall of a metal shelf as required.

- For dividing the shelf into compartments to suit users' needs
- Keeps items in place on the shelf
- Attaches magnetically to the base or the side wall of the metal shelf
- optional

Includes
4 dividers

Technical data
Material: plastic

Art. No.	Unit width min. (EB)	Colour	Width (B)	Depth (T)	Height (H)
	mm		mm	mm	mm
200.2543.51	150	white	77.5	25/3	76
200.2543.52	150	grey	77.5	25/3	76
200.2543.43	150	anthracite	77.5	25/3	76



Concealed extension runner Blum Legrabox

The full-extension runner guides the system / shelf right out of the unit.

- With Softclose
- High load capacity of 40 kg

Includes
2 slides (left+right)

Technical data
Compatible with: Pinello, Extendo Liro
Integrated Softclose: yes
Integrated Softopen: no
Load capacity: 0-40 kg
Material: zinc-plated sheet steel

Art. No.	Model	Colour	Width (B)	Depth (T)	Height (H)
			mm	mm	mm
200.2515.04	Blum Legrabox	zinc-plated	60/60	499	50



Concealed extension runner Grass Nova Pro

The full-extension runner guides the system / shelf right out of the unit.

- With Softclose
- High load capacity of 40 kg

Includes
2 slides (left+right)

Technical data
Compatible with: Pinello
Integrated Softclose: yes
Integrated Softopen: no
Load capacity: 0-40 kg
Material: zinc-plated sheet steel

Art. No.	Type	Model	Colour	Width (B)	Depth (T)	Height (H)
				mm	mm	mm
200.2516.04	EB29	Grass Nova Pro	zinc-plated	28/28	490	65



Push-to-open Blum Legrabox Pinello

Push on the front panel and it will open just enough to allow a comfortable grip.

- Opens handleless fronts just enough to allow a comfortable grip
- Easy to operate by applying gentle pressure
- Can be retrofitted
- optional

Includes
 1 Push-to-open
 1 trigger

Technical data
 Compatible with: Pinello
 Assembly with ClickFixx: yes
 Material: zinc-plated sheet steel

Art. No.	Type	Model	Colour
200.2551.04	right	Blum Legrabox	zinc-plated



Push-to-open Grass Nova Pro Pinello

Push on the front panel and it will open just enough to allow a comfortable grip.

- Opens handleless fronts just enough to allow a comfortable grip
- Easy to operate by applying gentle pressure
- Can be retrofitted
- optional

Includes
 1 Push-to-open
 1 trigger

Technical data
 Compatible with: Pinello
 Assembly with ClickFixx: yes
 Material: zinc-plated sheet steel

Art. No.	Type	Model	Colour
200.2553.04	right	Grass Nova Pro	zinc-plated



Towel rail pull-out

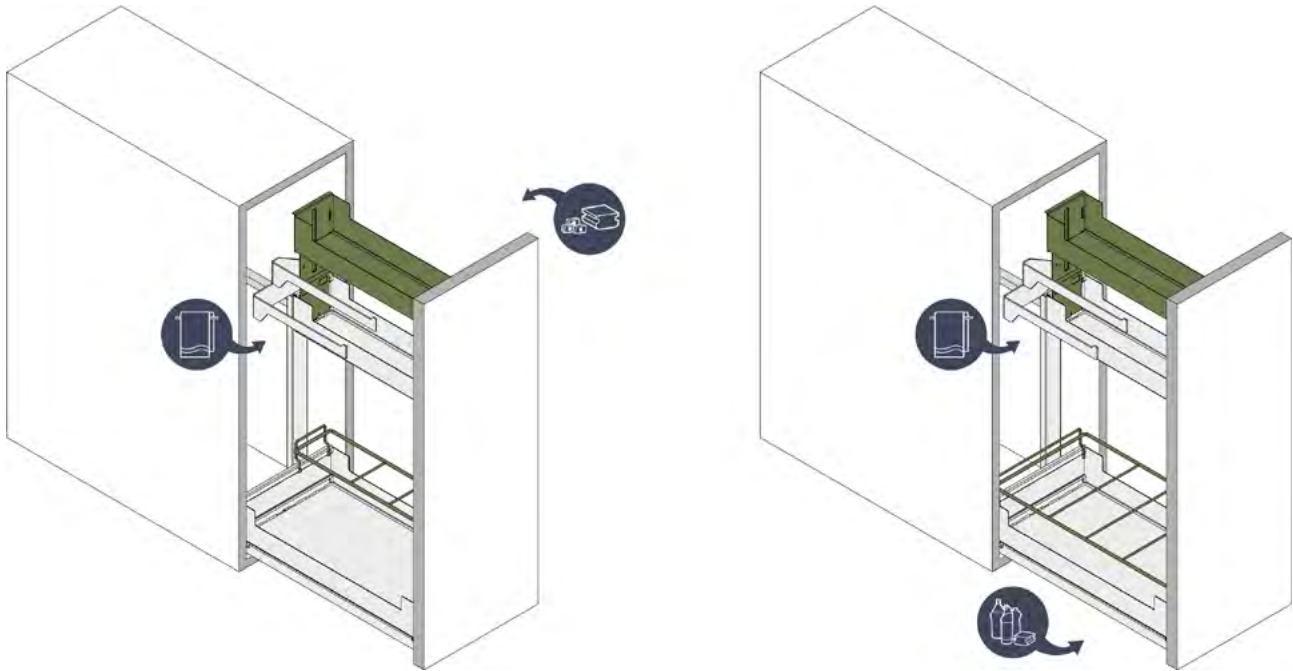
Pinello Towel

Open the front pull-out for direct access to towels or the two to four levels of storage space.

With Pinello Towel, you can hang your towels out of sight to dry. It also offers plenty of storage space for cleaning products and brushes.

Thanks to the concealed runners, you have a complete overview and easy access to your stored items immediately after opening. Even the bottom shelf is easy to use because the towels are hung high up. As with all members of the Pinello family, the extra shelf gives you one or two additional levels, which you can retrofit at any time without using tools. Each shelf has a removable silicone mat that prevents the contents from sliding around. With the optional dividers or bottle rack, you can organise your contents to suit you.

EXAMPLES OF APPLICATIONS

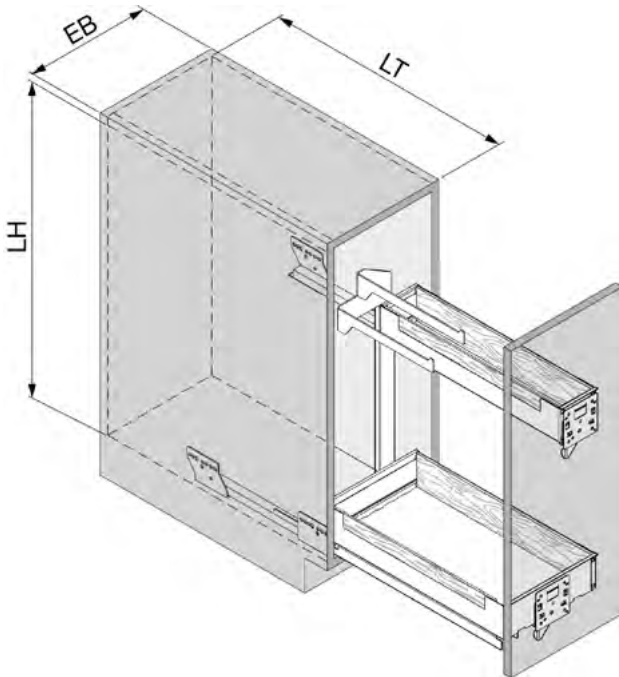


FEATURES AND BENEFITS

- + For storing and drying towels out of sight
- + Ingeniously shaped support rails stop towels from slipping
- + Towels are hung high up, meaning that full use can be made of the bottom shelf
- + Maximum use of width thanks to thin-walled shelves
- + Optional extra shelf makes maximum use of height
- + Optional accessories allowing customised use of shelf space: extra shelf, bottle rack, magnetic dividers, oak railing inserts, push-to-open mechanism
- + Contents don't slip thanks to removable non-slip silicone mats
- + Complete overview and easy access immediately after opening
- + Closed shelf bases stop bottles from toppling and small items from falling through



TECHNICAL DATA



Design line	Liro
Handle-free fronts	optional
Barrier-free	yes
Type	right/left
Unit width (EB)	300 mm
Model	Blum Legrabox/Grass Nova Pro
Colour	white/silver/anthracite
Load capacity	0-30 kg
Interior width (LB)	262-268 mm
Interior depth min. (LT)	506/520 mm
Interior height min. (LH)	652/660 mm

TECHNICAL CHARACTERISTICS

- ▶ Softclose mechanism integrated in the drawer runner ensures that the unit can be closed smoothly and silently
- ▶ Push-to-open mechanism available as an option for handle-free fronts
- ▶ Can be pulled out smoothly thanks to high-quality concealed runners
- ▶ High level of lateral stability thanks to ingenious mechanism design (runner/frame/front bracket)
- ▶ Two unit heights and up to four levels possible with just one pair of runners
- ▶ Liro design enables multiple, individual styles with minimal additional storage costs
- ▶ Intuitive, easily accessible 3D front adjustment



Pinello Towel towel rail extension right

Open the front pull-out for direct access to towels or the two to four levels of storage space.

Includes

- 1 basic set Pinello Towel (without slides)
- 2 150 mm front brackets
- 2 non-slip mats

Technical data

- Design line: Liro
- Assembly with ClickFixx: yes
- Load capacity: 0-30 kg
- Material: powder-coated sheet steel

Art. No.	Type	Unit width (EB)	Model	Colour	Interior width (LB)	Interior depth min. (LT)	Interior height min. (LH)	Width (B)	Depth (T)	Height (H)
		mm			mm	mm	mm	mm	mm	mm
200.2530.01	right	300	Blum Legrabox	white	262-268	520	652	262-268	520	624
200.2530.12	right	300	Blum Legrabox	silver	262-268	520	652	262-268	520	624
200.2530.43	right	300	Blum Legrabox	anthracite	262-268	520	652	262-268	520	624
200.2532.01	right	300	Grass Nova Pro	white	262-268	506	660	262-268	506	632
200.2532.12	right	300	Grass Nova Pro	silver	262-268	506	660	262-268	506	632
200.2532.43	right	300	Grass Nova Pro	anthracite	262-268	506	660	262-268	506	632



Pinello Towel towel rail extension left

Open the front pull-out for direct access to towels or the two to four levels of storage space.

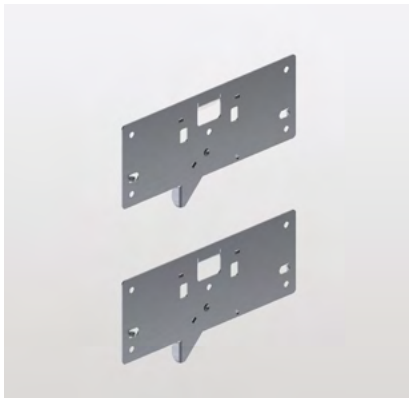
Includes

- 1 basic set Pinello Towel (without slides)
- 2 150 mm front brackets
- 2 non-slip mats

Technical data

- Design line: Liro
- Assembly with ClickFixx: yes
- Load capacity: 0-30 kg
- Material: powder-coated sheet steel

Art. No.	Type	Unit width (EB)	Model	Colour	Interior width (LB)	Interior depth min. (LT)	Interior height min. (LH)	Width (B)	Depth (T)	Height (H)
		mm			mm	mm	mm	mm	mm	mm
200.2531.01	left	300	Blum Legrabox	white	262-268	520	652	262-268	520	624
200.2531.12	left	300	Blum Legrabox	silver	262-268	520	652	262-268	520	624
200.2531.43	left	300	Blum Legrabox	anthracite	262-268	520	652	262-268	520	624
200.2533.01	left	300	Grass Nova Pro	white	262-268	506	660	262-268	506	632
200.2533.12	left	300	Grass Nova Pro	silver	262-268	506	660	262-268	506	632
200.2533.43	left	300	Grass Nova Pro	anthracite	262-268	506	660	262-268	506	632



Pinello front bracket set for framed front panels

The front brackets bridge the gap between the mechanism and a framed front.

- Allows use with framed fronts
- optional

Includes
2 front brackets

Technical data
Compatible with: Pinello
Assembly with ClickFixx: yes
Material: zinc-plated sheet steel

Art. No.	Unit width (EB)	Colour	Width (B)
	mm		mm
200.2537.04	300	zinc-plated	240



Railing insert set Liro Pinello

Insert the rail into the slot provided in the Liro shelf

- Solid oak rail inserts
- Optional addition to Liro shelves as a style variation
- Goes well with wooden unit fronts and warm colours
- Can be retrofitted without any need for tools

Includes
2 rail inserts

Technical data
Compatible with: Pinello
Design line: Liro
Material: wood

Art. No.	Unit width (EB)	Colour	Width (B)	Depth (T)	Height (H)
	mm		mm	mm	mm
200.2539.36	150-300	natural oak	6/6	472.5/472.5	77/77
200.2539.66	150-300	stained oak	6/6	472.5/472.5	77/77



Pinello bottle partition

Attach the rack to the shelf – no tools required.

- Prevents bottles and spice jars of different sizes from toppling
- optional
- Tool-free assembly
- Can be retrofitted

Includes
1 bottle partition

Technical data
Compatible with: Pinello
Divider: 4
Material: powder-coated wire

Art. No.	Unit width (EB)	Colour	Width (B)	Depth (T)	Height (H)
	mm		mm	mm	mm
200.2599.01	150	white	98	491	63
200.2599.12	150	silver	98	491	63
200.2599.43	150	anthracite	98	491	63
200.2601.01	300	white	248	491	63
200.2601.12	300	silver	248	491	63
200.2601.43	300	anthracite	248	491	63



Extra shelf Pinello

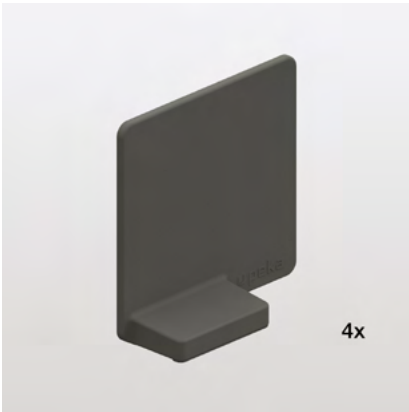
Position the extra shelf on the Liro shelf – no tools required.

- For one or two extra levels and overheight units
- Can be positioned anywhere
- Can be retrofitted without any need for tools
- optional

Includes
1 extra shelf
1 non-slip mat

Technical data
Compatible with: Pinello
Design line: Liro
Material: powder-coated sheet steel

Art. No.	Unit width min. (EB)	Colour	Interior height min. (LH)	Width (B)	Depth (T)	Height (H)
	mm		mm	mm	mm	mm
200.2492.01	150	white	720	98	492	177/259
200.2492.12	150	silver	720	98	492	177/259
200.2492.43	150	anthracite	720	98	492	177/259



Divider set magnetic

Position the dividers on the base or wall of a metal shelf as required.

- For dividing the shelf into compartments to suit users' needs
- Keeps items in place on the shelf
- Attaches magnetically to the base or the side wall of the metal shelf
- optional

Includes
4 dividers

Technical data
Material: plastic

Art. No.	Unit width min. (EB)	Colour	Width (B)	Depth (T)	Height (H)
	mm		mm	mm	mm
200.2543.51	150	white	77.5	25/3	76
200.2543.52	150	grey	77.5	25/3	76
200.2543.43	150	anthracite	77.5	25/3	76



Concealed extension runner Blum Legrabox

The full-extension runner guides the system / shelf right out of the unit.

- With Softclose
- High load capacity of 40 kg

Includes
2 slides (left+right)

Technical data
Compatible with: Pinello, Extendo Liro
Integrated Softclose: yes
Integrated Softopen: no
Load capacity: 0-40 kg
Material: zinc-plated sheet steel

Art. No.	Model	Colour	Width (B)	Depth (T)	Height (H)
			mm	mm	mm
200.2515.04	Blum Legrabox	zinc-plated	60/60	499	50



Concealed extension runner Grass Nova Pro

The full-extension runner guides the system / shelf right out of the unit.

- With Softclose
- High load capacity of 40 kg

Includes
2 slides (left+right)

Technical data
Compatible with: Pinello
Integrated Softclose: yes
Integrated Softopen: no
Load capacity: 0-40 kg
Material: zinc-plated sheet steel

Art. No.	Type	Model	Colour	Width (B)	Depth (T)	Height (H)
				mm	mm	mm
200.2516.04	EB29	Grass Nova Pro	zinc-plated	28/28	490	65



Push-to-open Blum Legrabox Pinello

Push on the front panel and it will open just enough to allow a comfortable grip.

- Opens handleless fronts just enough to allow a comfortable grip
- Easy to operate by applying gentle pressure
- Can be retrofitted
- optional

Includes
1 Push-to-open
1 trigger

Technical data
Compatible with: Pinello
Assembly with ClickFixx: yes
Material: zinc-plated sheet steel

Art. No.	Type	Model	Colour
200.2551.04	right	Blum Legrabox	zinc-plated
200.2550.04	left	Blum Legrabox	zinc-plated



Push-to-open Grass Nova Pro Pinello

Push on the front panel and it will open just enough to allow a comfortable grip.

- Opens handleless fronts just enough to allow a comfortable grip
- Easy to operate by applying gentle pressure
- Can be retrofitted
- optional

Includes
1 Push-to-open
1 trigger

Technical data
Compatible with: Pinello
Assembly with ClickFixx: yes
Material: zinc-plated sheet steel

Art. No.	Type	Model	Colour
200.2553.04	right	Grass Nova Pro	zinc-plated
200.2552.04	left	Grass Nova Pro	zinc-plated



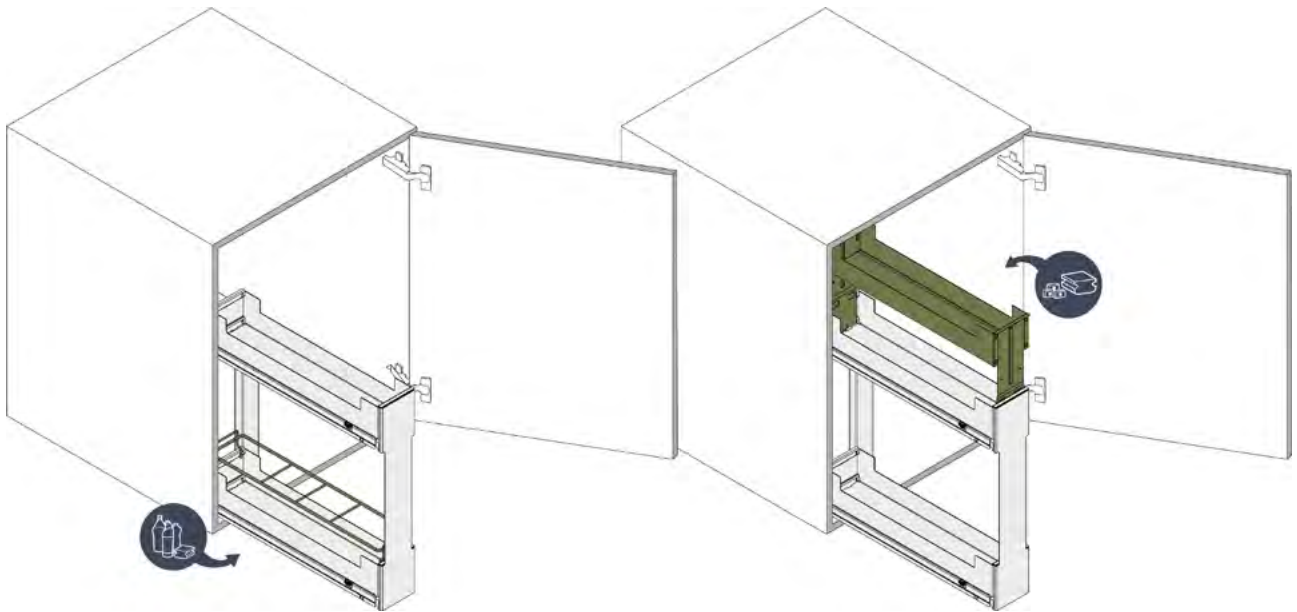
Internal pull-out

Pinello Inside

Open the front panel and slide out the internal pull-out with two to four levels of storage space.

Pinello Inside is the slim base unit pull-out with a surprising amount of storage space. Thanks to thin-walled metal shelves, the internal pull-out makes maximum use of its 150 mm width. As with all members of the Pinello family, the extra shelf gives you one or two additional levels, which you can retrofit at any time without using tools. Each shelf has a removable silicone mat that prevents the contents from sliding around. Since Pinello Inside does not have a front panel, it can be retrofitted easily at any time. It makes particularly good use of space as a pull-out for cleaning materials alongside swing-out bins or in the cleaning cupboard.

EXAMPLES OF APPLICATIONS

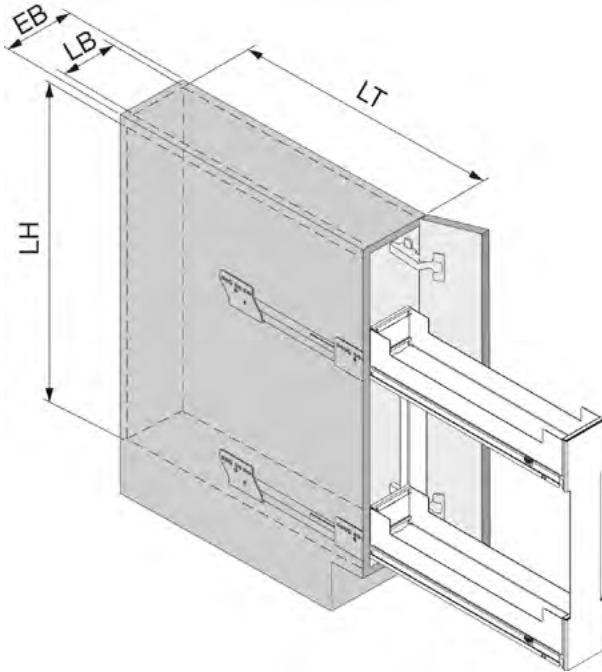


FEATURES AND BENEFITS

- + Ideal as a pull-out for cleaning materials alongside swing-out bins or in the cleaning cupboard
- + Even bottles can be stored securely thanks to the high blind front
- + Contents don't slip thanks to removable non-slip silicone mats
- + Closed shelf bases stop bottles from toppling and small items from falling through
- + Optional accessories allowing customised use of shelf space: extra shelf, bottle rack, magnetic dividers, oak railing inserts



TECHNICAL DATA



Design line	Liro
Handle-free fronts	optional
Barrier-free	yes
Integrated Softclose	yes
Type	right/left
Unit width min. (EB)	150 mm
Model	Grass Nova Pro
Colour	white/silver/anthracite
Load capacity	0-15 kg
Interior width min. (LB)	112 mm
Interior depth min. (LT)	506 mm
Interior height min. (LH)	525/535 mm

TECHNICAL CHARACTERISTICS

- ▶ Complete set with runners can be easily retrofitted anywhere
- ▶ Softclose mechanism integrated in the drawer runner ensures that the unit can be closed smoothly and silently
- ▶ Can be pulled out smoothly thanks to high-quality concealed runners
- ▶ Mounted on one side wall and base, making it suitable for all unit heights, widths and depths
- ▶ No front adjustment necessary
- ▶ Maintenance-free technology



Pinello Inside internal pull-out right

Open the front panel and slide out the internal pull-out with two to four levels of storage space.

Includes

1 basic set Pinello Inside incl. slides
2 non-slip mats

Technical data

Design line: Liro
Integrated Softclose: yes
Assembly with ClickFixx: yes
Load capacity: 0-15 kg
Material: powder-coated sheet steel

Art. No.	Type	Unit width min. (EB)	Model	Colour	Interior width min. (LB)	Interior depth min. (LT)	Interior height min. (LH)	Width (B)	Depth (T)	Height (H)
		mm			mm	mm	mm	mm	mm	mm
200.2521.01	right	150	Grass Nova Pro	white	112	506	525/535	109	506	522
200.2521.12	right	150	Grass Nova Pro	silver	112	506	525/535	109	506	522
200.2521.43	right	150	Grass Nova Pro	anthracite	112	506	525/535	109	506	522



Pinello Inside internal pull-out left

Open the front panel and slide out the internal pull-out with two to four levels of storage space.

Includes

1 basic set Pinello Inside incl. slides
2 non-slip mats

Technical data

Design line: Liro
Integrated Softclose: yes
Assembly with ClickFixx: yes
Load capacity: 0-15 kg
Material: powder-coated sheet steel

Art. No.	Type	Unit width min. (EB)	Model	Colour	Interior width min. (LB)	Interior depth min. (LT)	Interior height min. (LH)	Width (B)	Depth (T)	Height (H)
		mm			mm	mm	mm	mm	mm	mm
200.2520.01	left	150	Grass Nova Pro	white	112	506	525/535	109	506	522
200.2520.12	left	150	Grass Nova Pro	silver	112	506	525/535	109	506	522
200.2520.43	left	150	Grass Nova Pro	anthracite	112	506	525/535	109	506	522



Railing insert set Liro Pinello

Insert the rail into the slot provided in the Liro shelf

- Solid oak rail inserts
- Optional addition to Liro shelves as a style variation
- Goes well with wooden unit fronts and warm colours
- Can be retrofitted without any need for tools

Includes

2 rail inserts

Technical data

Compatible with: Pinello
Design line: Liro
Material: wood

Art. No.	Unit width (EB)	Colour	Width (B)	Depth (T)	Height (H)
	mm		mm	mm	mm
200.2539.36	150-300	natural oak	6/6	472.5/472.5	77/77
200.2539.66	150-300	stained oak	6/6	472.5/472.5	77/77



Extra shelf Pinello

Position the extra shelf on the Liro shelf – no tools required.

- For one or two extra levels and overheight units
- Can be positioned anywhere
- Can be retrofitted without any need for tools
- optional

Includes
1 extra shelf
1 non-slip mat

Technical data
Compatible with: Pinello
Design line: Liro
Material: powder-coated sheet steel

Art. No.	Unit width min. (EB)	Colour	Interior height min. (LH)	Width (B)	Depth (T)	Height (H)
	mm		mm	mm	mm	mm
200.2492.01	150	white	720	98	492	177/259
200.2492.12	150	silver	720	98	492	177/259
200.2492.43	150	anthracite	720	98	492	177/259



Pinello bottle partition

Attach the rack to the shelf – no tools required.

- Prevents bottles and spice jars of different sizes from toppling
- optional
- Tool-free assembly
- Can be retrofitted

Includes
1 bottle partition

Technical data
Compatible with: Pinello
Divider: 4
Material: powder-coated wire

Art. No.	Unit width (EB)	Colour	Width (B)	Depth (T)	Height (H)
	mm		mm	mm	mm
200.2599.01	150	white	98	491	63
200.2599.12	150	silver	98	491	63
200.2599.43	150	anthracite	98	491	63



Divider set magnetic

Position the dividers on the base or wall of a metal shelf as required.

- For dividing the shelf into compartments to suit users' needs
- Keeps items in place on the shelf
- Attaches magnetically to the base or the side wall of the metal shelf
- optional

Includes
4 dividers

Technical data
Material: plastic

Art. No.	Unit width min. (EB)	Colour	Width (B)	Depth (T)	Height (H)
	mm		mm	mm	mm
200.2543.51	150	white	77.5	25/3	76
200.2543.52	150	grey	77.5	25/3	76
200.2543.43	150	anthracite	77.5	25/3	76



Push-to-open Grass Nova Pro Pinello

Push on the front panel and it will open just enough to allow a comfortable grip.

- Opens handleless fronts just enough to allow a comfortable grip
- Easy to operate by applying gentle pressure
- Can be retrofitted
- optional

Includes
1 Push-to-open
1 trigger

Technical data
Compatible with: Pinello
Assembly with ClickFixx: yes
Material: zinc-plated sheet steel

Art. No.	Type	Model	Colour
200.2552.04	left	Grass Nova Pro	zinc-plated
200.2553.04	right	Grass Nova Pro	zinc-plated



Base unit pull-out Snello

The two-tier pull-out system for narrow base units
(150 to 300 mm).

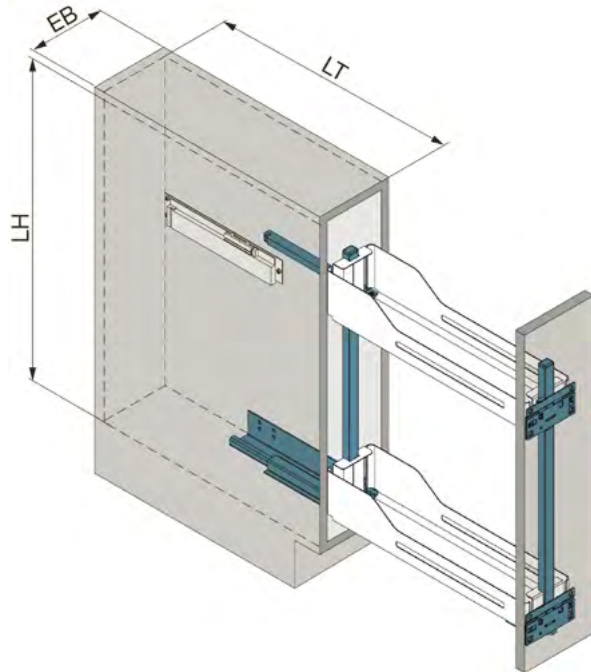
The Snello base unit pull-out transforms even the narrowest of spaces (from 150 mm) into a generous storage area. With its thin-walled shelves, it makes full use of the available space. When opened, Snello provides a great overview of the entire unit contents, which can be accessed from both sides. Typically fitted around the sink or cooker or at the end of a row of kitchen units, it ensures that spices, oil, vinegar or even cleaning equipment are immediately to hand and can be stowed away again just as quickly. The shelves' closed bases stop bottles from toppling over and small items from falling through, and the shelves are also easy to remove for cleaning, after which they can simply be clipped back into place.



FEATURES AND BENEFITS

- + Working wonders in small spaces, this base-unit storage solution can hold a surprising amount
- + Complete overview and easy access immediately after opening
- + Maximum use of space thanks to thin-walled shelves: The all-in-one system that makes a perfect gap-filler
- + Closed shelf bases stop bottles from toppling and small items from falling through
- + Shelves can be easily removed for cleaning and clipped back in place
- + Optional accessories allowing customised use of shelf space
- + Removable non-slip mats available as an option

TECHNICAL DATA



Design line	Fioro/Libell
Handle-free fronts	optional
Barrier-free	yes
Integrated Softclose	yes
Integrated Softopen	yes
Unit width (EB)	150/200/300 mm
Colour	anthracite, natural oak/white/ silver/anthracite
Load capacity	0-15/0-20 kg
Interior width (LB)	112-118/162-168/262-268 mm
Interior depth min. (LT)	475 mm
Interior height min. (LH)	520 mm

TECHNICAL CHARACTERISTICS

- ▶ Push-to-open mechanism available as an option for handle-free fronts
- ▶ Built-in Softopen and Softclose mechanisms ensure that the unit can be opened and closed smoothly and silently
- ▶ Moves smoothly and quietly
- ▶ High load capacity of 15/20 kg
- ▶ Quick and easy to fit, with installation tolerance
- ▶ Simple 3D adjustment
- ▶ Side-mounted runners provide excellent lateral stability and robustness



Base unit pull-out Snello 150 Fiore

The two-tier pull-out system with a load capacity of 15 kg for very narrow base units (150 mm).

Includes

- 1 frame with 2 front brackets
- 2 clip-on shelves incl. rail inserts
- 2 slides (upper with Softopen+Softclose, lower with Softclose)

Technical data

- Design line: Fiore
- Integrated Softclose: yes
- Integrated Softopen: yes
- Assembly with ClickFixx: yes
- Material: powder-coated sheet steel/ wood

Art. No.	Unit width (EB)	Colour	Load capacity	Interior width (LB)	Interior depth min. (LT)	Interior height min. (LH)	Width (B)	Depth (T)	Height (H)
	mm		kg	mm	mm	mm	mm	mm	mm
200.2453.43	150	anthracite, natural oak	0-15	112-118	475	520	109	471	517



Base unit pull-out Snello 150 Libell

The two-tier pull-out system with a load capacity of 15 kg for very narrow base units (150 mm).

Includes

- 1 frame with 2 front brackets
- 2 clip-on shelves
- 2 slides (upper with Softopen+Softclose, lower with Softclose)

Technical data

- Design line: Libell
- Integrated Softclose: yes
- Integrated Softopen: yes
- Assembly with ClickFixx: yes
- Material: powder-coated sheet steel

Art. No.	Unit width (EB)	Colour	Load capacity	Interior width (LB)	Interior depth min. (LT)	Interior height min. (LH)	Width (B)	Depth (T)	Height (H)
	mm		kg	mm	mm	mm	mm	mm	mm
200.2441.01	150	white	0-15	112-118	475	520	109	471	517
200.2441.12	150	silver	0-15	112-118	475	520	109	471	517
200.2441.43	150	anthracite	0-15	112-118	475	520	109	471	517



Base unit pull-out Snello 200/300 Fiore

The two-tier pull-out system for narrow base units (200 and 300 mm).

Includes

- 1 frame with 2 front brackets
- 2 clip-on shelves incl. rail inserts
- 2 slides (upper with Softopen+Softclose, lower with Softclose)

Technical data

- Design line: Fiore
- Integrated Softclose: yes
- Integrated Softopen: yes
- Assembly with ClickFixx: yes
- Material: powder-coated sheet steel/ wood

Art. No.	Unit width (EB)	Colour	Load capacity	Interior width (LB)	Interior depth min. (LT)	Interior height min. (LH)	Width (B)	Depth (T)	Height (H)
	mm		kg	mm	mm	mm	mm	mm	mm
200.2454.43	200	anthracite, natural oak	0-15	162-168	475	520	157	471	517
200.2455.43	300	anthracite, natural oak	0-20	262-268	475	520	257	471	517



Base unit pull-out Snello 200/300 Libell

The two-tier pull-out system for narrow base units (200 and 300 mm).

Includes

1 frame with 2 front brackets
2 clip-on shelves
2 slides (upper with Softopen+Softclose, lower with Softclose)

Technical data

Design line: Libell
Integrated Softclose: yes
Integrated Softopen: yes
Assembly with ClickFixx: yes
Material: powder-coated sheet steel

Art. No.	Unit width (EB)	Colour	Load capacity	Interior width (LB)	Interior depth min. (LT)	Interior height min. (LH)	Width (B)	Depth (T)	Height (H)
	mm		kg	mm	mm	mm	mm	mm	mm
200.2443.01	200	white	0-15	162-168	475	520	157	471	517
200.2443.12	200	silver	0-15	162-168	475	520	157	471	517
200.2443.43	200	anthracite	0-15	162-168	475	520	157	471	517
200.2444.01	300	white	0-20	262-268	475	520	257	471	517
200.2444.12	300	silver	0-20	262-268	475	520	257	471	517
200.2444.43	300	anthracite	0-20	262-268	475	520	257	471	517



Push-to-open Snello

Push on the front panel and it will open just enough to allow a comfortable grip. Then simply pull the mechanism right out of the unit.

- Opens handleless fronts by 50 mm to allow a comfortable grip
- Easy to operate by applying gentle pressure
- Can be retrofitted
- optional

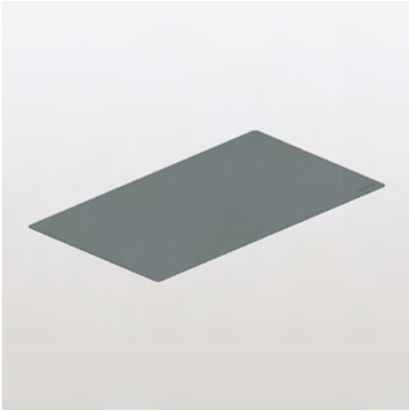
Includes

1 Push-to-open, 1 trigger
1 assembly material

Technical data

Compatible with: Snello
Material: plastic

Art. No.	Colour	Width (B)	Depth (T)	Height (H)
		mm	mm	mm
200.2462.01	white	65	253	48
200.2462.12	silver	65	253	48
200.2462.43	anthracite	65	253	48



Non-slip mat Snello

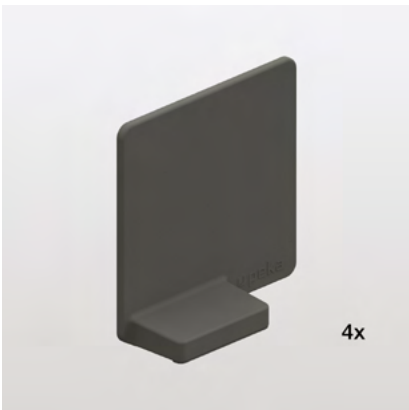
Lay the non-slip mat on the shelf to stabilise the stored items. To clean the mat, remove it from the shelf and rinse it under running water.

- Keeps items in place on the shelf
- Pleasant feel with a finely textured surface
- Reduces noise when items are stowed
- optional

Includes
1 non-slip mat

Technical data
Compatible with: clip-on shelf Fiore/
Liro/Libell, Snello
Material: silicone

Art. No.	Unit width (EB)	Colour	Width (B)	Depth (T)	Height (H)
	mm		mm	mm	mm
100.1180.57	150	oyster white	80	400	1
100.1180.56	150	walnut grey	80	400	1
100.1181.57	200	oyster white	130	400	1
100.1181.56	200	walnut grey	130	400	1
100.1184.57	300	oyster white	230	400	1
100.1184.56	300	walnut grey	230	400	1



Divider set magnetic

Position the dividers on the base or wall of a metal shelf as required.

- For dividing the shelf into compartments to suit users' needs
- Keeps items in place on the shelf
- Attaches magnetically to the base or the side wall of the metal shelf
- optional

Includes
4 dividers

Technical data
Material: plastic

Art. No.	Unit width min. (EB)	Colour	Width (B)	Depth (T)	Height (H)
	mm		mm	mm	mm
200.2543.51	150	white	77.5	25/3	76
200.2543.52	150	grey	77.5	25/3	76
200.2543.43	150	anthracite	77.5	25/3	76



Towel rail extension

Snello

The right- and left-compatible towel rail pull-out for very narrow base units (150 mm).

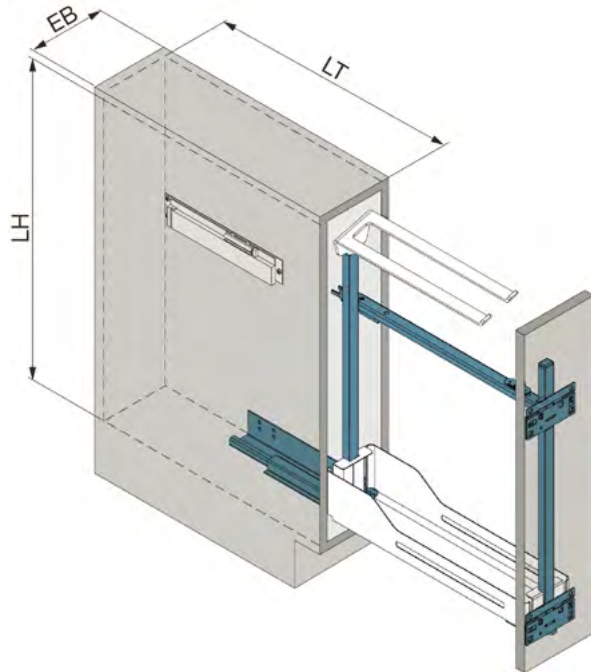
When base units are fitted, any remaining gaps are often covered with a dummy panel and left unused. The Snello towel rail pull-out is a great way of putting this space to good use. Fitted in narrow 150-mm units, it lets you hang your towels out of sight and can also be used to store cleaning materials or dishwasher tablets. With its thin-walled shelves, Snello makes full use of the available space. It also provides a good overview of the contents and access from both sides. The shelf at the bottom has a closed base to prevent small items from falling through, and both the shelf and plastic container are easy to remove for cleaning, after which they can simply be clipped back into place.



FEATURES AND BENEFITS

- + For storing and drying towels out of sight
- + Closed shelf base stops bottles from toppling and small items from falling through
- + Ingeniously shaped support rails stop towels from slipping
- + Removable plastic container as an additional holder for small items such as dishwasher tablets, sponges, etc.
- + Complete overview and easy access immediately after opening
- + The shelf and the plastic container are easy to remove, making cleaning them a piece of cake
- + Maximum use of space thanks to thin-walled shelves: The Libell design can hold plastic bottles of up to 2 litres
- + Optional accessories allowing customised use of shelf space
- + Removable non-slip mats available as an option

TECHNICAL DATA



Design line	Fioro/Libell
Handle-free fronts	optional
Barrier-free	yes
Integrated Softclose	yes
Integrated Softopen	yes
Unit width (EB)	150 mm
Colour	anthracite, natural oak/white/ silver/anthracite
Load capacity	0-15 kg
Interior width (LB)	112-118 mm
Interior depth min. (LT)	475 mm
Interior height min. (LH)	660 mm

TECHNICAL CHARACTERISTICS

- ▶ Push-to-open mechanism available as an option for handle-free fronts
- ▶ Built-in Softopen and Softclose mechanisms ensure that the unit can be opened and closed smoothly and silently
- ▶ Moves smoothly and quietly
- ▶ High load capacity of 15 kg
- ▶ Quick and easy to fit, with installation tolerance
- ▶ Simple 3D adjustment
- ▶ Side-mounted runners provide excellent lateral stability and robustness



Towel rail extension Snello 150 Fiore

The right- and left-compatible towel rail pull-out for very narrow base units (150 mm).

Includes

1 frame with 2 front brackets
1 clip-on shelf incl. rail inserts,
2 hand-towel rails, 1 tray
2 slides (upper with Softopen,
lower with Softclose)

Technical data

Design line: Fiore
Integrated Softclose: yes
Integrated Softopen: yes
Assembly with ClickFixx: yes
Material: powder-coated sheet steel/
wood

Art. No.	Unit width (EB)	Colour	Load capacity	Interior width (LB)	Interior depth min. (LT)	Interior height min. (LH)	Width (B)	Depth (T)	Height (H)
	mm		kg	mm	mm	mm	mm	mm	mm
200.2460.43	150	anthracite, natural oak	0-15	112-118	475	660	109	471	643



Towel rail extension Snello 150 Libell

The right- and left-compatible towel rail pull-out for very narrow base units (150 mm).

Includes

1 frame with 2 front brackets
1 clip-on shelf, 2 hand-towel rails,
1 tray
2 slides (upper with Softopen,
lower with Softclose)

Technical data

Design line: Libell
Integrated Softclose: yes
Integrated Softopen: yes
Assembly with ClickFixx: yes
Material: powder-coated sheet steel

Art. No.	Unit width (EB)	Colour	Load capacity	Interior width (LB)	Interior depth min. (LT)	Interior height min. (LH)	Width (B)	Depth (T)	Height (H)
	mm		kg	mm	mm	mm	mm	mm	mm
200.2445.01	150	white	0-15	112-118	475	660	109	471	643
200.2445.12	150	silver	0-15	112-118	475	660	109	471	643
200.2445.43	150	anthracite	0-15	112-118	475	660	109	471	643



Push-to-open Snello

Push on the front panel and it will open just enough to allow a comfortable grip. Then simply pull the mechanism right out of the unit.

- Opens handleless fronts by 50 mm to allow a comfortable grip
- Easy to operate by applying gentle pressure
- Can be retrofitted
- optional

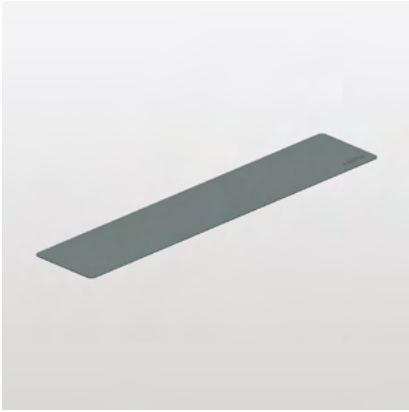
Includes

1 Push-to-open, 1 trigger
1 assembly material

Technical data

Compatible with: Snello
Material: plastic

Art. No.	Colour	Width (B)	Depth (T)	Height (H)
		mm	mm	mm
200.2462.01	white	65	253	48
200.2462.12	silver	65	253	48
200.2462.43	anthracite	65	253	48



Non-slip mat Snello

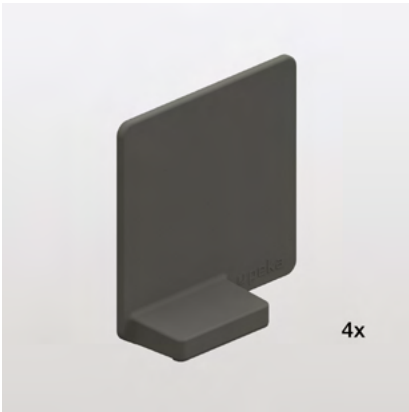
Lay the non-slip mat on the shelf to stabilise the stored items. To clean the mat, remove it from the shelf and rinse it under running water.

- Keeps items in place on the shelf
- Pleasant feel with a finely textured surface
- Reduces noise when items are stowed
- optional

Includes
1 non-slip mat

Technical data
Compatible with: clip-on shelf Fiore/
Liro/Libell, Snello
Material: silicone

Art. No.	Unit width (EB)	Colour	Width (B)	Depth (T)	Height (H)
	mm		mm	mm	mm
100.1180.57	150	oyster white	80	400	1
100.1180.56	150	walnut grey	80	400	1



Divider set magnetic

Position the dividers on the base or wall of a metal shelf as required.

- For dividing the shelf into compartments to suit users' needs
- Keeps items in place on the shelf
- Attaches magnetically to the base or the side wall of the metal shelf
- optional

Includes
4 dividers

Technical data
Material: plastic

Art. No.	Unit width min. (EB)	Colour	Width (B)	Depth (T)	Height (H)
	mm		mm	mm	mm
200.2543.51	150	white	77.5	25/3	76
200.2543.52	150	grey	77.5	25/3	76
200.2543.43	150	anthracite	77.5	25/3	76



Base unit pull-out

Slim

Pull on the front to bring the contents right out of the unit.

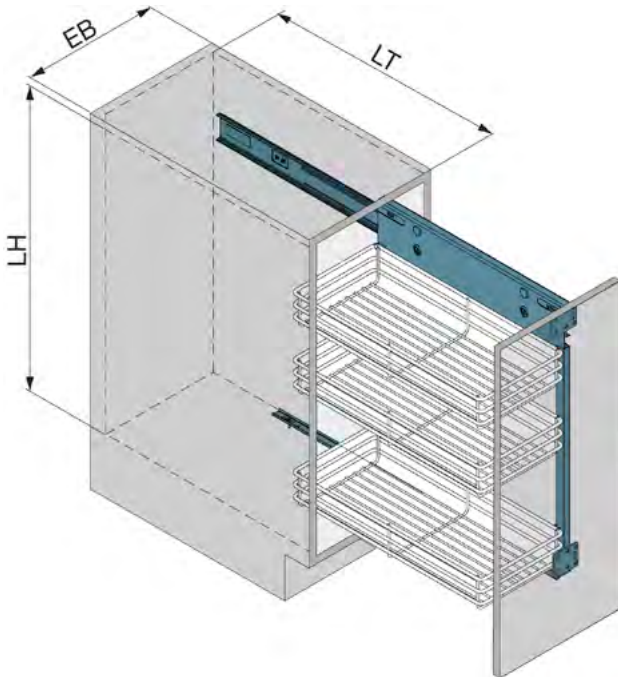
Slim is a reliable partner in your base unit. Whether in the kitchen, living room or bathroom, it will bring all stored items safely out of the unit. Slim not only has an extremely strong runner with a load capacity of 25 kg, but its components made from shatterproof polycarbonate or chrome-plated wire are well-nigh indestructible. It is also very user-friendly, with one movement giving you access to the entire contents of the unit. All the components, including the tubular frame, can be easily removed for cleaning, while the integrated Softclose mechanism ensures smooth, silent closing.



FEATURES AND BENEFITS

- + Fully extendable for easy access
- + Wire baskets or transparent trays provide a clear overview
- + Perfect for storing groceries, bottles and spices

TECHNICAL DATA



Design line	Excellent/plastic
Handle-free fronts	no
Barrier-free	yes
Integrated Softclose	yes
Integrated Softopen	no
Type	450/550/680/90 °
Unit width (EB)	150/180/250/275/300/400 mm
Colour	silver
Load capacity	0-25 kg
Interior width min. (LB)	118 mm
Interior depth min. (LT)	480 mm
Interior height min. (LH)	485/610/680 mm

TECHNICAL CHARACTERISTICS

- ▶ Built-in Softclose mechanism ensures that the unit can be closed smoothly and silently
- ▶ Efficient for warehousing as mechanism can be fitted on right or left and is compatible with all unit widths from 150 to 400 mm
- ▶ Quick and easy to fit with ClickFixx
- ▶ Large installation tolerance thanks to design based on a single side-mounted ball-bearing runner



Base unit pull-out Slim

The tubular frame supports clip-on trays and baskets and the full-extension runner enables the contents to be pulled all the way out of the base unit.

- High load capacity of 25 kg
- Smooth running thanks to excellent lateral stability

Includes
2 slides (top+bottom)
1 tubular frame

Technical data
Compatible with: Slim
Integrated Softclose: yes
Integrated Softopen: no
Assembly with ClickFixx: no
Load capacity: 0-25 kg
Material: powder-coated sheet steel

Art. No.	Type	Colour	Interior width min. (LB)	Interior depth min. (LT)	Interior height min. (LH)	Width (B)	Depth (T)	Height (H)
			mm	mm	mm			
200.2540.12	450	silver	118	480	485	37	470	473
200.2541.12	550	silver	118	480	610	37	470	600
200.2542.12	680	silver	118	480	680	37	470	670



Front bracket set Slim

The front brackets connect the unit front to the tubular frame.

- Diagonally adjustable

Includes
2 front brackets

Technical data
Compatible with: Slim
Assembly with ClickFixx: no
Material: powder-coated sheet steel

Art. No.	Type	Unit width min. (EB)	Colour	Width (B)	Depth (T)	Height (H)
	°	mm		mm	mm	mm
200.1111.12	90	150	silver	70	80	50



Clip-on basket Excellent Slim

Chrome-plated wire basket.

- The baskets are easy to remove, making cleaning the unit base a piece of cake

Includes
1 clip-on basket

Technical data
Compatible with: Slim
Design line: Excellent
Load capacity per shelf: 0-15 kg
Material: chrome-plated wire

Art. No.	Unit width (EB)	Colour	Width (B)	Depth (T)	Height (H)
	mm		mm	mm	mm
100.0046.05	180	chrome	110	470	75
100.0048.05	250	chrome	160	470	75
100.0040.05	275/300	chrome	210	470	75
100.0055.05	400	chrome	320	470	75



Clip-on tray Slim

transparent and shatterproof clip-on tray made from high-strength polycarbonate.

- Transparent tray made from high-strength and shatterproof polycarbonate
- All components are easy to remove, making cleaning them a piece of cake

Includes
1 clip-on tray

Technical data
Compatible with: Slim
Design line: plastic
Load capacity per shelf: 0-10 kg
Material: plastic

Art. No.	Unit width (EB)	Colour	Width (B)	Depth (T)	Height (H)
	mm		mm	mm	mm
200.0748.26	150	transparent	106	470	68



Divider set Slim

Insert the divider into the tray – no tools required.

- For dividing up clip-on trays to suit users' needs
- optional
- Tool-free assembly
- Can be retrofitted

Includes
3 dividers

Technical data
Compatible with: clip-on tray
Design line: plastic
Material: chrome-plated wire

Art. No.	Unit width (EB)	Colour	Width (B)	Depth (T)	Height (H)
	mm		mm	mm	mm
200.0772.05	150	chrome	96	4	100

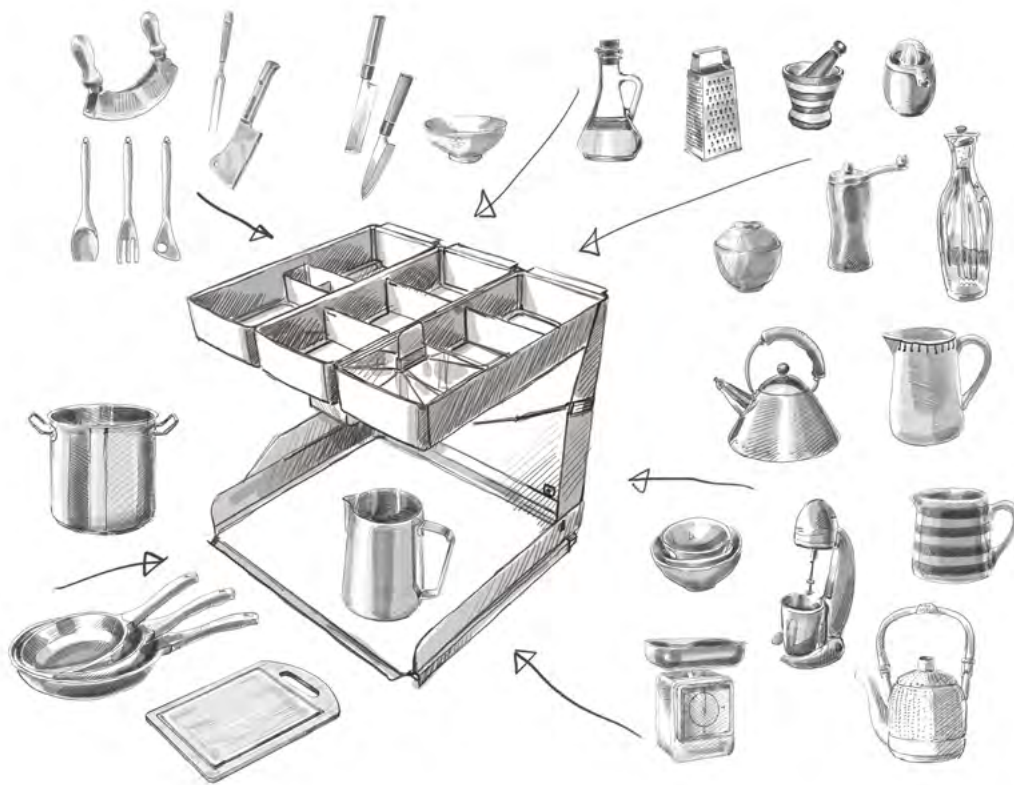


Base unit pull-out

Kitchen Tower

Kitchen Tower automatically glides out of the unit when you open the door, giving you access to your most frequently used items from three sides.

In our day-to-day lives, most of us tend to use the same items over and over again, whether in the kitchen, for cleaning or in the workshop. So would it not make more sense to keep them together in the same unit? That's where Kitchen Tower comes in! Kitchen Tower glides out when you open the door, giving you a perfect all-round overview of the contents of your base unit. Its modular layout can be adapted to suit your needs, with specially-designed containers and magnetic dividers. So whether it's kitchen knives, chopping boards, spices, cleaning accessories or tools, all your everyday items will be accessible in an instant.

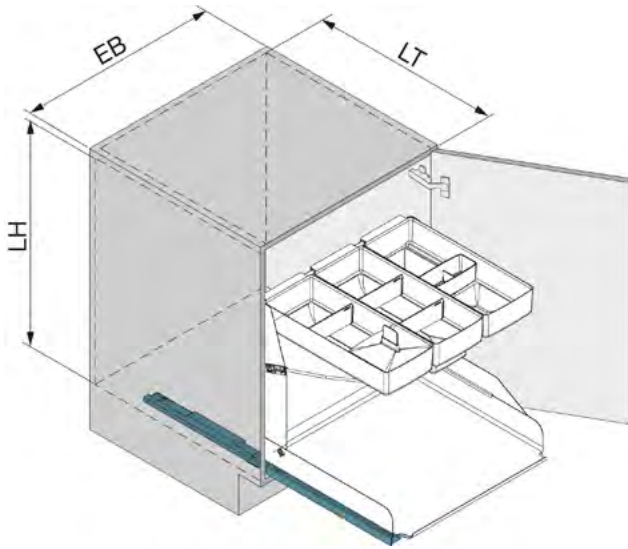


FEATURES AND BENEFITS

- + Stores the most-used items in one place for efficient working
- + A single movement brings the entire contents out in front of the unit
- + Complete overview and easy access from three sides and from above
- + Removable dispenser with a transparent lid for storing spices or small, loose items
- + Special holders for kitchen knives, wooden spoons and chopping boards
- + Dishwasher-safe plastic components
- + Modular layout with containers and dividers that can be positioned as required
- + Suitable for barrier-free living with easy, unhindered access to the entire contents of the base unit
- + Recommended for compact homes as a lot of items can be organised in a small space
- + Possible application: kitchens, workshops, studios, utility rooms



TECHNICAL DATA



Design line	Libell
Handle-free fronts	optional
Barrier-free	yes
Integrated Softclose	yes
Integrated Softopen	no
Unit width (EB)	450/600 mm
Colour	white/silver/anthracite
Load capacity	0-22/0-25 kg
Interior width min. (LB)	412/562 mm
Interior depth min. (LT)	500 mm
Interior height min. (LH)	560 mm

TECHNICAL CHARACTERISTICS

- ▶ Built-in Softclose mechanism ensures that the unit can be closed smoothly and silently
- ▶ Easy to retrofit in units with hinged doors
- ▶ Smooth movement even when fully loaded
- ▶ A stable, durable system designed for daily use
- ▶ Push-to-open mechanism available as an option for handle-free fronts
- ▶ Easy and intuitive assembly
- ▶ Mounted on the base, making it suitable for all unit heights and widths
- ▶ Suitable for standard hinges with an opening angle of 110°
- ▶ Universal mechanism that can be fitted on the left or right



Base unit pull-out Kitchen Tower 450

Kitchen Tower automatically glides out of the unit when you open the door, giving you access to your most frequently used items from three sides.

Includes

trays with dividers, 1 spice dispenser
1 magnetic divider set, 1 non-slip mat, 1 chopping board holder
1 full-extension runner including Softclose
1 door pull

Technical data

Design line: Libell
Integrated Softclose: yes
Integrated Softopen: no
Assembly with ClickFixx: no
Material: powder-coated sheet steel/ plastic

Art. No.	Unit width (EB)	Colour	Load capacity	Load capacity per shelf	Interior width min. (LB)	Interior depth min. (LT)	Interior height min. (LH)	Width (B)	Depth (T)	Height (H)
	mm		kg	kg	mm	mm	mm	mm	mm	mm
200.1786.21	450	white	0-22	0-15	412	500	560	369	498	527
200.1786.12	450	silver	0-22	0-15	412	500	560	369	498	527
200.1786.43	450	anthracite	0-22	0-15	412	500	560	369	498	527



Base unit pull-out Kitchen Tower 600

Kitchen Tower automatically glides out of the unit when you open the door, giving you access to your most frequently used items from three sides.

Includes

trays with dividers, 1 spice dispenser
1 magnetic divider set, 1 non-slip mat, 1 chopping board holder
1 full-extension runner including Softclose
1 door pull

Technical data

Design line: Libell
Integrated Softclose: yes
Integrated Softopen: no
Assembly with ClickFixx: no
Material: powder-coated sheet steel/ plastic

Art. No.	Unit width (EB)	Colour	Load capacity	Load capacity per shelf	Interior width min. (LB)	Interior depth min. (LT)	Interior height min. (LH)	Width (B)	Depth (T)	Height (H)
	mm		kg	kg	mm	mm	mm	mm	mm	mm
200.1787.21	600	white	0-25	0-15	562	500	560	519	498	527
200.1787.12	600	silver	0-25	0-15	562	500	560	519	498	527
200.1787.43	600	anthracite	0-25	0-15	562	500	560	519	498	527



Basket pull-out

Kobra

Pull the basket out of the unit and remove contents.

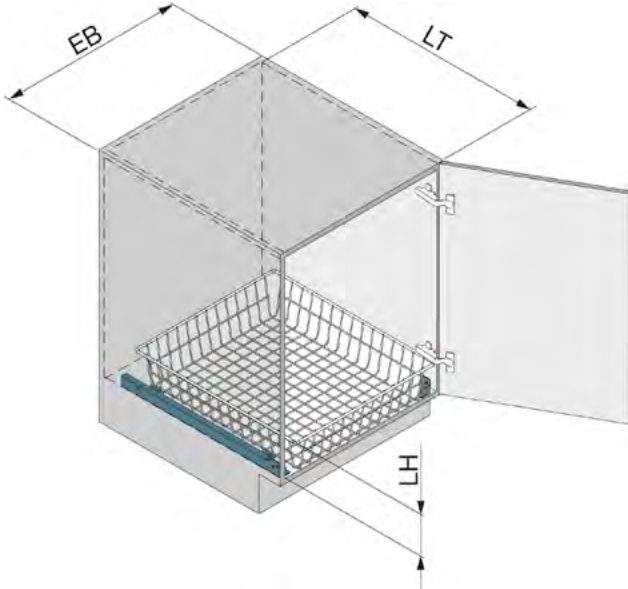
The basket pull-out for any unit. With its high load capacity of 20 kg, Kobra is a reliable partner for storing anything from textiles to tableware. It gives you a complete overview of your stored items and is easy to operate from above. The high rails and smooth closing mechanism will keep your contents safe and secure. What's more, the baskets are easy to remove, which means that the unit base can be accessed for cleaning. The complete set of basket and runners is available separately and can be used as an ad hoc addition to shelving.



FEATURES AND BENEFITS

- + **The wire basket provides a clear overview**
- + **High rails stop contents from falling out**
- + **The baskets are easy to remove, making cleaning the unit base a piece of cake**
- + **The door deflectors prevent scratches to unit doors**
- + **Perfect for storing groceries, cookware or fabrics**

TECHNICAL DATA



Design line	Standard
Barrier-free	yes
Integrated Softclose	yes/no
Integrated Softopen	no
Unit width (EB)	300/400/450/500/550/600 mm
Colour	white
Load capacity	0-20 kg
Interior width (LB)	240-317/240-319/345-425/ 347-424/407-483/407-485/ 435-514/436-513/496-574/ 498-573/532-603/535-603 mm
Interior depth min. (LT)	510/515 mm
Interior height min. (LH)	128 mm

TECHNICAL CHARACTERISTICS

- ▶ High load capacity of 20 kg per basket
- ▶ Easy to retrofit
- ▶ Suitable for unit widths between 300 mm and 600 mm thanks to width-adjustable design and spacers



Basket pull-out Kobra Plus

Pull the basket out of the unit and remove contents.

Includes

1 basket with 4 fastening clips
2 slides (left+right) with 2 door deflectors

Technical data

Design line: Standard
Integrated Softclose: yes
Integrated Softopen: no
Assembly with ClickFixx: yes
Load capacity: 0-20 kg
Material: powder-coated wire

Art. No.	Unit width (EB)	Colour	Interior width (LB)	Interior depth min. (LT)	Interior height min. (LH)	Width (B)	Depth (T)	Height (H)
	mm		mm	mm	mm	mm	mm	mm
200.0922.71	300	white	240-317	510	128	235	500	100
200.0923.71	400	white	345-425	510	128	330	500	100
200.0924.71	450	white	407-483	510	128	390	500	100
200.0925.71	500	white	436-513	510	128	430	500	100
200.0926.71	550	white	498-573	510	128	485	500	100
200.0927.71	600	white	532-603	510	128	530	500	100



Basket pull-out Kobra Single

Pull the basket out of the unit and remove contents.

Includes

1 basket with 4 fastening clips
2 slides (left+right) with 1 door deflector

Technical data

Design line: Standard
Integrated Softclose: no
Integrated Softopen: no
Assembly with ClickFixx: yes
Load capacity: 0-20 kg
Material: powder-coated wire

Art. No.	Unit width (EB)	Colour	Interior width (LB)	Interior depth min. (LT)	Interior height min. (LH)	Width (B)	Depth (T)	Height (H)
	mm		mm	mm	mm	mm	mm	mm
200.0137.71	300	white	240-319	515	128	235	500	100
200.0142.71	400	white	347-424	515	128	330	500	100
200.0146.71	450	white	407-485	515	128	390	500	100
200.0150.71	500	white	435-514	515	128	430	500	100
200.0154.71	550	white	496-574	515	128	485	500	100
200.0158.71	600	white	535-603	515	128	530	500	100



Spacer for Kobra

Drill the spacer into position between the unit and the runner.

- For use in units with hinged doors
- Can be fitted on the right or left
- optional
- Suitable for 32-mm pre-drilled holes

Includes
1 spacer

Technical data
Compatible with: Kobra
Material: powder-coated sheet steel

Art. No.	Colour	Width (B)	Depth (T)	Height (H)
		mm	mm	mm
200.0319.01	white	15	75	30
200.0319.12	silver	15	75	30
200.0319.43	anthracite	15	75	30
200.0322.01	white	26	75	30
200.0322.12	silver	26	75	30



Drawer accessories

Handy organisers for drawers

Our drawer accessories are a simple but effective way to bring order to your drawers. They ensure that condiments, jars and bottles are immediately to hand and always visible at a glance.



Bottle partition Spider

Bottle partition that can be clipped onto the back wall of a drawer in any position

- + Keeps bottles stable and tidy in the base unit drawer
- + Can be positioned anywhere so that the drawer can be arranged as required
- + Pots, pans and other items can be stored alongside
- + Ideal for sorting cleaning products in the bin pull-out



Bottle basket

Basket for storing and transporting bottles

- + Portable basket for transporting bottles
- + Keeps bottles stable and tidy in the base unit drawer
- + Can be positioned anywhere so that the drawer can be arranged as required
- + Pots, pans and other items can be stored alongside



Spice rack

Space-saving drawer rack for storing all kinds of spice containers

- + Store spice jars neatly
- + Flat design makes maximum use of space
- + Optimal storage of all spice containers. The flat surface of the rack means it can also be installed underneath glass ceramic hobs
- ▶ Can be cut as required



Bottle partition Spider metal back wall

Clip Spider onto the drawer's back wall – no tools required.

- Prevents bottles and spice jars of different sizes from toppling
- optional

Includes
1 bottle partition

Technical data
Compatible with: drawer
Divider: 8
Material: powder-coated sheet steel

Art. No.	Type	Unit width min. (EB)	Model	Back wall	Colour	Width (B)	Depth (T)	Height (H)
		mm		mm		mm	mm	mm
200.1800.21	metal back wall	275	Blum Tandembox Intivo and Antaro	13.5	white	175	433	61
200.1800.43	metal back wall	275	Blum Tandembox Intivo and Antaro	13.5	anthracite	175	433	61
200.1828.21	metal back wall	275	Blum Legrabox/Blum Merivobox	16	white	175	435	61
200.1828.43	metal back wall	275	Blum Legrabox/Blum Merivobox	16	anthracite	175	435	61



Bottle partition Spider wooden back wall

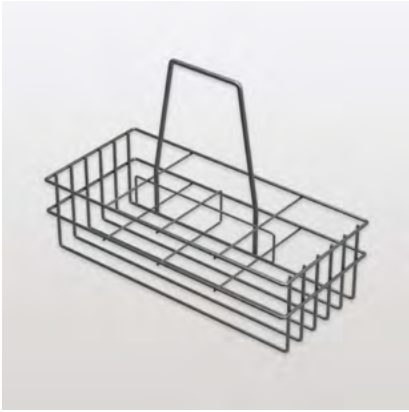
Clip Spider onto the drawer's back wall – no tools required.

- Prevents bottles and spice jars of different sizes from toppling
- optional

Includes
1 bottle partition

Technical data
Compatible with: drawer
Divider: 8
Material: powder-coated sheet steel

Art. No.	Type	Unit width min. (EB)	Model	Back wall	Colour	Width (B)	Depth (T)	Height (H)
		mm		mm		mm	mm	mm
200.1801.21	wooden back wall	275	Universal	16	white	175	435	45
200.1801.43	wooden back wall	275	Universal	16	anthracite	175	435	45



Bottle basket

Place the basket in the drawer or take it out to transport bottles.

Includes
1 bottle basket

Technical data
Compatible with: drawer

Art. No.	Unit width min. (EB)	Colour	Width (B)	Depth (T)	Height (H)	Material
	mm		mm	mm	mm	
200.1490.01	275	white	191	410	310	powder-coated wire
200.1490.05	275	chrome	191	410	310	chrome-plated wire
200.1490.43	275	anthracite	191	410	310	powder-coated wire



Spice rack

Cut the spice rack to size and place in the drawer.

Includes
1 spice rack

Technical data
Compatible with: drawer
Material: plastic

Art. No.	Colour	Width (B)	Depth (T)	Height (H)
		mm	mm	mm
200.0747.01	white	1300	524	25
200.0747.02	silver	1300	524	25
200.0747.43	anthracite	1300	524	25



Base unit accessories

Handy helpers for base units

Rise to any challenge with our base unit accessories! These simple products are quick to install and deliver real benefits in a range of cabinets.



Internal pull-out Porter

Sturdy standard-extension pull-out for heavy loads in a base unit

- + Back-friendly solution for storing heavy items in a base unit
- + Can be operated from above thanks to pull-out mechanism
- + Storage surface large enough for two bottle crates
- + The door deflectors prevent scratches to unit doors



Internal pull-out Porter Basic

Sturdy standard-extension runner for custom-designed wooden pull-outs in a base unit

- + Accommodates custom-made pull-out boxes
- + Back-friendly solution for storing heavy items in a base unit
- + Can be operated from above thanks to pull-out mechanism
- + Suitable for a range of applications



Towel rail extension

Three-arm, pull-out towel rail for base units

- + For storing and drying towels out of sight
- + Pull-out mechanism for easy access
- + Makes the most of the available space as the arms can be positioned at any angle
- + Wide range of uses throughout the home



Baking tray and chopping board holder

Space-saving rack for trays and chopping boards

- + A space-saving storage solution for bulky items
- + Trays and boards are stored vertically, making them easy to access
- ▶ Quick and easy to install with 2 screws
- ▶ Can be retrofitted anywhere at any time



Hang storage component Tablo Libell

A versatile storage unit that can be hung on walls or the inside of a cupboard door

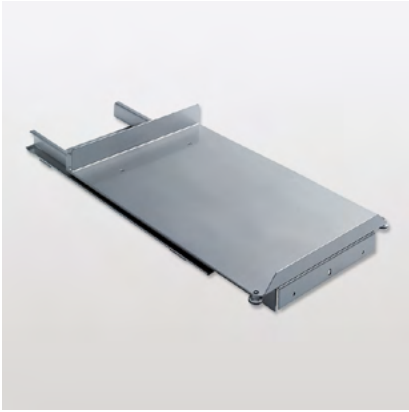
- + Shelf can be positioned anywhere: inside a unit, on a cupboard door or on a wall
- + Quick and direct access to small items
- + Closed shelf base stops items from toppling or falling through
- + Made from one piece of sheet steel for added strength



Multi-purpose shelf Sesam Mini

Screw-on shelf system with shelves and hooks that can be positioned as required

- + Can be fitted in any unit, perfect for hanging and storing small items
- + Very sturdy, all-metal design
- + Height-adjustable trays and freely positionable hooks allow flexible use of space
- + Closed shelf bases stop items from toppling or falling through



Internal pull-out Porter

Place heavy loads on the shelf and push into the unit.

Includes
1 internal pull-out

Technical data
Integrated Softclose: no
Integrated Softopen: no
Assembly with ClickFixx: no
Load capacity: 0-100 kg
Material: powder-coated sheet steel

Art. No.	Colour	Interior width min. (LB)	Interior depth min. (LT)	Width (B)	Depth (T)	Height (H)
		mm	mm	mm	mm	mm
200.0395.02	silver	290	500	279	500	46/85



Internal pull-out Porter Basic

The standard-extension runner provides the basis for custom-designed base unit pull-outs made of wood.

Includes
1 internal pull-out

Technical data
Integrated Softclose: no
Integrated Softopen: no
Assembly with ClickFixx: no
Load capacity: 0-100 kg
Material: zinc-plated sheet steel

Art. No.	Type	Colour	Interior width min. (LB)	Interior depth min. (LT)	Width (B)	Depth (T)	Height (H)
			mm	mm	mm	mm	mm
100.0265.04	120	zinc-plated	120	505	120	500	43
100.0268.04	215	zinc-plated	215	505	215	500	43



Towel rail extension

Pull the towel rail out of the base unit and use as required.

Includes
1 towel rail extension

Technical data
Design line: Excellent
Assembly with ClickFixx: no
Material: chrome-plated wire

Art. No.	Colour	Number of arms	Interior width min. (LB)	Width (B)	Depth (T)	Height (H)
		pcs	mm	mm	mm	mm
600.0317.09	mat chromed	2	60-108	54-102	484/490	39
600.0316.09	mat chromed	3	75-150	69-144	484/490	39



Baking tray and chopping board holder

Screw the rack onto the unit base and slide in the trays and boards.

Includes
1 baking tray and chopping board holder

Technical data
Design line: Excellent
Material: chrome-plated wire

Art. No.	Colour	Width (B)	Depth (T)	Height (H)
		mm	mm	mm
600.0008.05	chrome	75	300	250



Hang storage component Tablo Libell

Screw to the inside of a cupboard door, inside a unit or on a wall.

Includes
1 storage unit
1 assembly material

Technical data
Design line: Libell
Load capacity: 0-3 kg
Material: powder-coated sheet steel

Art. No.	Width of unit front (FB)	Colour	Interior width min. (LB)	Interior depth min. (LT)	Interior height min. (LH)	Width (B)	Depth (T)	Height (H)
	mm		mm	mm	mm	mm	mm	mm
600.0426.01	500	white	434/161	161/392	66	388	161	58
600.0426.12	500	silver	434/161	161/392	66	388	161	58
600.0426.43	500	anthracite	434/161	161/392	66	388	161	58



Multi-purpose shelf Sesam Mini

Screw the metal base inside a cupboard or onto a cupboard door, and attach the shelves and hooks to suit your needs.

- Modular system, so the shelves are height-adjustable

Includes
1 shelf system
2 clip-on shelves
2 clip-on hooks
1 assembly material

Technical data
Compatible with: Müllboy Standard, Müllboy Big
Design line: Libell
Load capacity: 0-10 kg
Load capacity per shelf: 0-5 kg
Material: powder-coated sheet steel

Art. No.	Colour	Interior width min. (LB)	Interior depth min. (LT)	Interior height min. (LH)	Width (B)	Depth (T)	Height (H)
		mm	mm	mm	mm	mm	mm
600.0380.01	white	200/450	350/200	500	121	278	434
600.0380.12	silver	200/450	350/200	500	121	278	434
600.0380.43	anthracite	200/450	350/200	500	121	278	434



Waste processing

The most frequently used piece of kitchen equipmentA well-designed waste system that is tailored to your needs makes it so much easier to work and clean in the kitchen.

PRODUCT OVERVIEW



Oeko Complet

Modular waste system including sturdy front pull-out



Oeko FreezyBoy Complet

Waste system including a sturdy front pull-out and chilled organic waste bin



Oeko Universal

Modular waste system for all standard drawer pull-outs



Oeko FreezyBoy Universal

Waste sorting system with chilled organic waste bin – compatible with all standard drawer pull-outs



Müllboy Standard

Swing-out bin for base units with hinged doors



Müllboy Big

Super-sized swing-out bin for base units with hinged doors

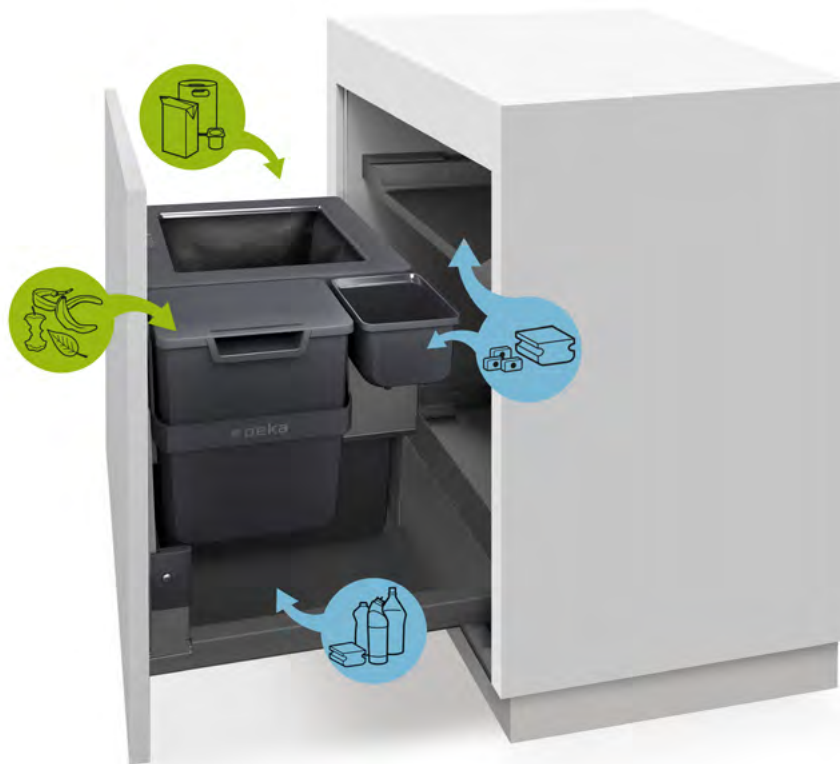


Waste system Oeko Complet

This hard-wearing complete system for household waste sorting comprises a waste bin set and a sturdy front pull-out.

With the modular Oeko waste system, you can choose the size, combination and arrangement of bins best suited to your waste sorting habits. Its array of fantastic features make Oeko a joy to use day after day. The patented holder system means that waste bags can be clipped into the frame quickly and easily. The bins are generously sized, so that you can fill each bag to the brim. The pull-out metal shelf is a handy place to store a range of small items, and all the plastic parts are dishwasher safe at medium temperature.

Oeko Complet is equipped with strong, stable extension runners with a load capacity of 110 kg. What's more, the height of the entire system can be adjusted by up to 30 mm, so it will fit under any sink.

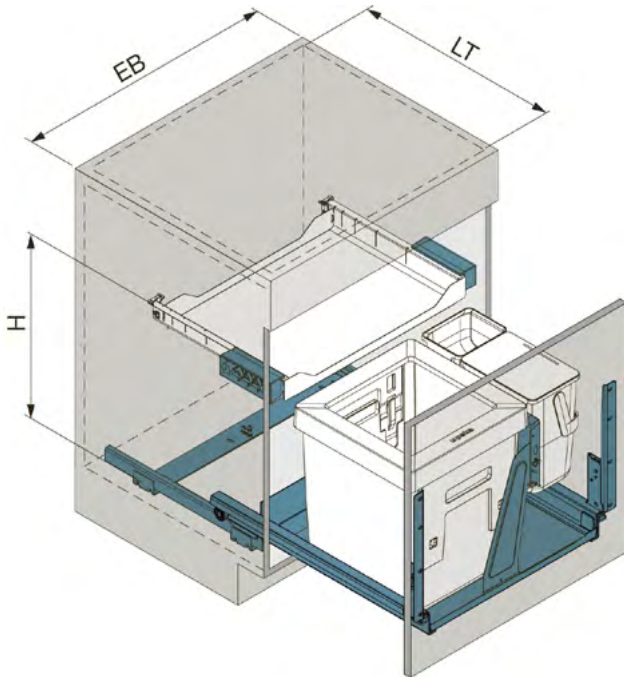


FEATURES AND BENEFITS

- + Waste bags can be filled to the brim in the 40-litre bin
- + Patented holder system: 1-2 waste bags of various sizes (15 to 50 litres) can be clipped into the frame quickly and easily
- + Sturdy metal sliding system with a load capacity of 110 kg
- + Generously-sized containers and a pull-out metal shelf that offers extra storage space
- + Fitted frame helps keep bin clean and tidy
- + Compatible with the Quooker system
- + Optional foot pedal for handle-free opening
- + Bins are easy to remove, making cleaning them a piece of cake
- + Available with a handy additional container for compost or cleaning materials



TECHNICAL DATA



Handle-free fronts	optional
Barrier-free	yes
Integrated Softclose	yes
Integrated Softopen	yes
Unit width (EB)	450/500/550/600 mm
Colour	anthracite
Load capacity	0-110 kg
Interior width (LB)	412-468/512-568 mm
Interior depth min. (LT)	495/545 mm
Interior height min. (LH)	465 mm
Height (H)	460/490,460 mm
Volume	34/40/47,2 L

TECHNICAL CHARACTERISTICS

- ▶ Smooth-running, durable and stable slide
- ▶ Built-in Softopen and Softclose mechanisms ensure that the unit can be opened and closed smoothly and silently
- ▶ Includes extension runners with a load capacity of 110 kg and good lateral stability
- ▶ Runners can be fitted and removed easily, making the system quick and simple to install
- ▶ Sturdy, easily adjustable front bracket that will support even heavy and high fronts



Waste system Oeko Complet 40L | 450/500

This hard-wearing complete system for household waste sorting comprises a waste bin set and a sturdy front pull-out.

Includes

- 1 40-litres waste bin
- 1 metal pull-out shelf
- 1 sliding system
- 1 assembly material

Technical data

- Integrated Softclose: yes
- Integrated Softopen: yes
- Load capacity: 0-110 kg
- Height standard: SMS-Norm;EURO-Norm
- Material: powder-coated sheet steel/ plastic

Art. No.	Unit width (EB)	Colour	Volume	Interior width (LB)	Interior depth min. (LT)	Interior height min. (LH)	Width (B)	Depth (T)	Height (H)
	mm		l	mm	mm	mm	mm	mm	mm
200.1661.43	450/500	anthracite	40	412-468	495	465	412-418/462-468	490	490/460
200.1664.43	450/500	anthracite	40	412-468	545	465	412-418/462-468	540	490/460



Waste system Oeko Complet 17+17L | 450/500

This hard-wearing complete system for household waste sorting comprises a waste bin set and a sturdy front pull-out.

- * Not suitable for 17-litre bin bags

Includes

- 2 17-litres multi-purpose containers* with lid
- 1 metal pull-out shelf
- 1 sliding system
- 1 assembly material

Technical data

- Integrated Softclose: yes
- Integrated Softopen: yes
- Load capacity: 0-110 kg
- Height standard: SMS-Norm;EURO-Norm
- Material: powder-coated sheet steel/ plastic

Art. No.	Unit width (EB)	Colour	Volume	Interior width (LB)	Interior depth min. (LT)	Interior height min. (LH)	Width (B)	Depth (T)	Height (H)
	mm		l	mm	mm	mm	mm	mm	mm
200.1662.43	450/500	anthracite	34	412-468	495	465	412-418/462-468	490	460
200.1665.43	450/500	anthracite	34	412-468	545	465	412-418/462-468	540	460



Waste system Oeko Complet 40+6+1.2L | 550/600

This hard-wearing complete system for household waste sorting comprises a waste bin set and a sturdy front pull-out.

- Can be fitted on right or left

Includes

- 1 40-litres waste bin
- 1 6-litres compost bin including lid, 1 1,2-litres multi-purpose container
- 1 metal pull-out shelf
- 1 sliding system
- 1 assembly material

Technical data

- Integrated Softclose: yes
- Integrated Softopen: yes
- Load capacity: 0-110 kg
- Height standard: SMS-Norm;EURO-Norm
- Material: powder-coated sheet steel/ plastic

Art. No.	Unit width (EB)	Colour	Volume	Interior width (LB)	Interior depth min. (LT)	Interior height min. (LH)	Width (B)	Depth (T)	Height (H)
	mm		l	mm	mm	mm	mm	mm	mm
200.1660.43	550/600	anthracite	47,2	512-568	495	465	512-518/562-568	490	490/460
200.1663.43	550/600	anthracite	47,2	512-568	545	465	512-518/562-568	540	490/460



Foot pedal Oeko

Press down the pedal with your foot and the waste system glides out.

- Hands-free opening of the waste system
- Softclose and selfclose also work with a pedal
- Front can be opened with pedal and handle
- optional

Includes

1 foot pedal
1 assembly material

Technical data

Compatible with: Oeko Complet, Oeko Universal, Oeko FreezyBoy Complet, Oeko FreezyBoy Universal
Ejection stroke: 45 mm
Material: powder-coated sheet steel

Art. No.	Colour	Width (B)	Depth (T)	Height (H)
		mm	mm	mm
200.1401.00	mat chromed	110	71	70



Waste system

Oeko FreezyBoy Complet

FreezyBoy cools organic waste to -5°C and paired with Oeko Complet forms a complete system for hygienic waste sorting, including front pull-out.

At last, a truly hygienic way to sort your waste! FreezyBoy chills organic waste and leftover food to -5°C , which prevents it from decomposing. That means you only need to empty your organic waste bin when it's full to the brim. Designed to be combined with our Oeko Complet waste system, FreezyBoy comes as a complete mechanism set with strong, stable extension runners, a 33-litre metal bin and a pull-out metal shelf offering extra storage space. The system boasts a load capacity of 110 kg, soft opening and closing, and easy-clean parts.



Cooling to -5 °C stops the decomposition of organic waste



Effectively neutralizes odors.



Full comfort without disruptive factors.



Central storage, leave it in your kitchen for weeks.



Promotes recycling. Less CO2 and more renewable energy.

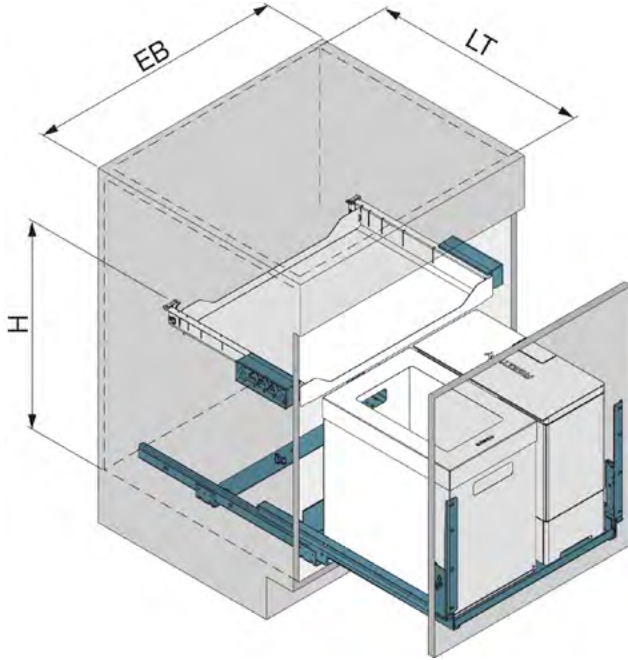


FEATURES AND BENEFITS

- + FreezyBoy prevents fermentation by chilling organic waste to -5°C, eliminating unpleasant odours
- + Organic waste only needs to be disposed of once the 7-litre bin is full – without compromising on hygiene
- + FreezyBoy easy-to-carry inner container is dishwasher safe
- + Comes with a sturdy metal bin for one 35-litre or two 17-litre waste bags
- + Generously-sized containers and a pull-out metal shelf that offers extra storage space
- + Bins are easy to remove, making cleaning them a piece of cake
- + Optional foot pedal for handle-free opening



TECHNICAL DATA



Handle-free fronts	optional
Barrier-free	yes
Integrated Softclose	yes
Integrated Softopen	yes
Unit width (EB)	550/600 mm
Colour	anthracite
Load capacity	0-110 kg
Interior width (LB)	512-568 mm
Interior depth min. (LT)	545 mm
Interior height min. (LH)	467 mm
Height (H)	462 mm
Volume	40 L

TECHNICAL CHARACTERISTICS

- ▶ Low power consumption of approx. 75 kWh a year (equivalent to approx. CHF 12 a year)
- ▶ Smooth-running, durable and stable slide
- ▶ Built-in Softopen and Softclose mechanisms ensure that the unit can be opened and closed smoothly and silently
- ▶ Includes extension runners with a load capacity of 110 kg and good lateral stability
- ▶ Runners can be fitted and removed easily, making the system quick and simple to install
- ▶ Sturdy, easily adjustable front bracket that will support even heavy and high fronts



Waste system Oeko FreezyBoy Complet 33L + FreezyBoy | 550/600

FreezyBoy cools organic waste to -5°C and paired with Oeko Complet forms a complete system for hygienic waste sorting, including front pull-out.

- Can be fitted on right or left

Includes

- 1 33-litres metal bin
- 1 FreezyBoy with 7-litres inner container
- 1 metal pull-out shelf
- 1 sliding system
- 1 assembly material

Technical data

- Integrated Softclose: yes
- Integrated Softopen: yes
- Load capacity: 0-110 kg
- Height standard: SMS-Norm;EURO-Norm
- Material: powder-coated sheet steel/plastic

Art. No.	Unit width (EB)	Colour	Volume	Interior width (LB)	Interior depth min. (LT)	Interior height min. (LH)	Width (B)	Depth (T)	Height (H)
	mm		l	mm	mm	mm	mm	mm	mm
200.2160.43	550/600	anthracite	40	512-568	545	467	512-518/562-568	540	462



Foot pedal Oeko

Press down the pedal with your foot and the waste system glides out.

- Hands-free opening of the waste system
- Softclose and selfclose also work with a pedal
- Front can be opened with pedal and handle
- optional

Includes

- 1 foot pedal
- 1 assembly material

Technical data

- Compatible with: Oeko Complet, Oeko Universal, Oeko FreezyBoy Complet, Oeko FreezyBoy Universal
- Ejection stroke: 45 mm
- Material: powder-coated sheet steel

Art. No.	Colour	Width (B)	Depth (T)	Height (H)
		mm	mm	mm
200.1401.00	mat chromed	110	71	70



Waste system

Oeko Universal

This matching waste bin set can simply be placed inside an existing drawer pull-out.

With the modular Oeko waste system, you can choose the size, combination and arrangement of bins best suited to your waste sorting habits. Its array of fantastic features make Oeko a joy to use day after day: the patented holder system means that waste bags can be clipped into the frame quickly and easily. The bins are generously sized, so that you can fill each bag to the brim. The pull-out metal shelf is a handy place to store a range of small items, and all the plastic parts are dishwasher safe at medium temperature. Oeko Universal can be fitted in all standard drawer pull-outs. What's more, the system's height can be adjusted by up to 30 mm, so it will fit under any sink.

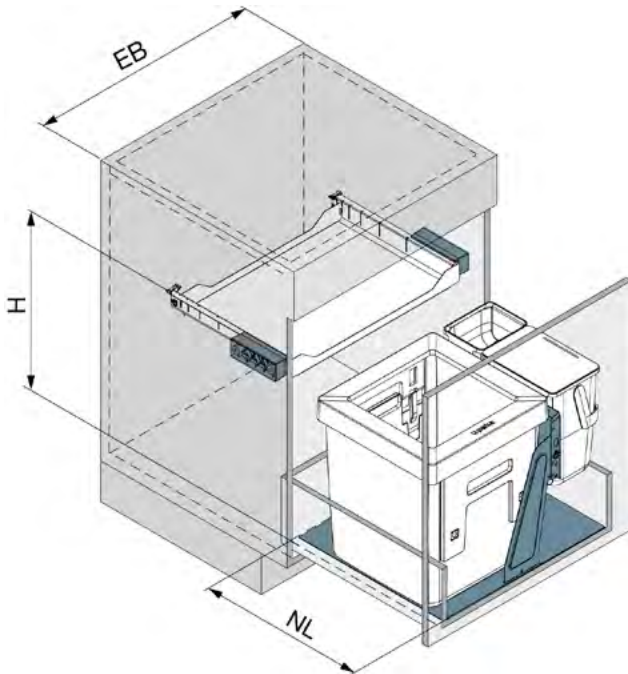


FEATURES AND BENEFITS

- + Waste bags can be filled to the brim in the 40-litre bin
- + Patented holder system: 1-2 waste bags of various sizes (15 to 50 litres) can be clipped into the frame quickly and easily
- + Generously-sized containers and a pull-out metal shelf that offers extra storage space
- + Individually selectable combination and arrangement of the buckets, as no bottom tray is required
- + Fitted frame helps keep bin clean and tidy
- + Compatible with the Quooker system
- + Optional foot pedal for handle-free opening
- + Bins are easy to remove, making cleaning them a piece of cake
- + Available with a handy additional container for compost or cleaning materials
- + Available with Oeko Bag, which is made of hard-wearing woven polypropylene fabric



TECHNICAL DATA



Handle-free fronts	optional
Barrier-free	yes
Unit width (EB)	450/500/550/600/900 mm
Colour	anthracite
Drawer runner nominal length min. (NL)	400 mm
Height (H)	425,433,433/463,443,443/463 mm
Volume	34/40/47,2/51/57/59/74/81,2 L

TECHNICAL CHARACTERISTICS

- ▶ Optional easy-clean base mat for no-drill installation
- ▶ Fits in all drawer types
- ▶ Pre-assembled components for quick and easy installation

- ▶ The height can be adjusted through 30 mm without using tools – this means that Oeko fits under any sink, which provides certainty during the planning/design process and eliminates the need for multiple product versions



Waste system Oeko Universal 40L | 450/500

This matching waste bin set can simply be placed inside an existing drawer pull-out.

- Includes**
- 1 40-litres waste bin
 - 1 position angle
 - 1 metal pull-out shelf
 - 1 assembly material

- Technical data**
- Height standard: SMS-Norm;EURO-Norm
 - Drawer runner nominal length min. (NL): 400 mm
 - Material: powder-coated sheet steel/ plastic

Art. No.	Unit width (EB)	Colour	Volume	Width (B)	Depth (T)	Height (H)
	mm		l	mm	mm	mm
200.1671.43	450/500	anthracite	40	412-468	385	433/463



Waste system Oeko Universal 17+17L | 450/500

This matching waste bin set can simply be placed inside an existing drawer pull-out.

- * Not suitable for 17-litre bin bags

- Includes**
- 2 17-litres multi-purpose containers* with lid
 - 1 position angle
 - 1 metal pull-out shelf
 - 1 assembly material

- Technical data**
- Height standard: EURO-Norm
 - Drawer runner nominal length min. (NL): 400 mm
 - Material: powder-coated sheet steel/ plastic

Art. No.	Unit width (EB)	Colour	Volume	Width (B)	Depth (T)	Height (H)
	mm		l	mm	mm	mm
200.1672.43	450/500	anthracite	34	412-468	385	433



Base mat Oeko Universal | 40L and 17+17L | NL 400

Insert the position angle into the mat, place them both in the drawer, then put Oeko Universal into position.

- Correctly positions the fixing bracket in the drawer
- For assembling Oeko Universal without tools
- Can be easily lifted out of the drawer for cleaning
- optional

Includes
1 base mat

Technical data
Compatible with: Oeko Universal 40 I,
Oeko Universal 17+17 I
Drawer runner nominal length (NL): 400 mm
Material: plastic

Art. No.	Unit width (EB)	Model	Side panel	Co-lour	Width (B)	Depth (T)	Height (H)
	mm		mm		mm	mm	mm
200.1788.62	450/500	Universal	16-19	grey	438	480	1
200.2092.62	450	Blum Legrabox/Grass Vionaro/Hettich AvanTech, AvanTechYou	16	grey	375	373	1
200.2093.62	450	Blum Legrabox/Grass Vionaro/Hettich AvanTech, AvanTechYou	19	grey	369	373	1
200.2090.62	500	Blum Legrabox/Grass Vionaro/Hettich AvanTech, AvanTechYou	16	grey	425	373	1
200.2091.62	500	Blum Legrabox/Grass Vionaro/Hettich AvanTech, AvanTechYou	19	grey	419	373	1
200.2623.62	450	Blum Merivobox	16	grey	361	373	1
200.2624.62	450	Blum Merivobox	19	grey	355	373	1
200.2625.62	500	Blum Merivobox	16	grey	411	373	1
200.2626.62	500	Blum Merivobox	19	grey	405	373	1
200.2106.62	450	Blum Tandembox Antaro	16	grey	331	373	1
200.2107.62	450	Blum Tandembox Antaro/Hettich ArciTech	19	grey	325	373	1
200.2105.62	500	Blum Tandembox Antaro	16	grey	381	373	1
200.2668.62	500	Blum Tandembox Antaro/Hettich ArciTech	19	grey	375	373	1
200.2100.62	450	Grass Nova Pro	16	grey	351	380	1
200.2101.62	450	Grass Nova Pro	19	grey	345	380	1
200.2098.62	500	Grass Nova Pro	16	grey	401	380	1
200.2099.62	500	Grass Nova Pro	19	grey	395	380	1



Base mat Oeko Universal | 40L and 17+17L | NL 450

Insert the position angle into the mat, place them both in the drawer, then put Oeko Universal into position.

- Correctly positions the fixing bracket in the drawer
- For assembling Oeko Universal without tools
- Can be easily lifted out of the drawer for cleaning
- optional

Includes
1 base mat

Technical data
Compatible with: Oeko Universal 40 I,
Oeko Universal 17+17 I
Drawer runner nominal length (NL): 450 mm
Material: plastic

Art. No.	Unit width (EB)	Model	Side panel	Co-lour	Width (B)	Depth (T)	Height (H)
	mm		mm		mm	mm	mm
200.1788.62	450/500	Universal	16-19	grey	438	480	1
200.1703.62	450	Blum Legrabox/Grass Vionaro/Hettich AvanTech, AvanTechYou	16	grey	375	423	1
200.1704.62	450	Blum Legrabox/Grass Vionaro/Hettich AvanTech, AvanTechYou	19	grey	369	423	1
200.1701.62	500	Blum Legrabox/Grass Vionaro/Hettich AvanTech, AvanTechYou	16	grey	425	423	1
200.1702.62	500	Blum Legrabox/Grass Vionaro/Hettich AvanTech, AvanTechYou	19	grey	419	423	1
200.2640.62	450	Blum Merivobox	16	grey	361	423	1
200.2641.62	450	Blum Merivobox	19	grey	355	423	1
200.2642.62	500	Blum Merivobox	16	grey	411	423	1
200.2643.62	500	Blum Merivobox	19	grey	405	423	1
200.1723.62	450	Blum Tandembox Antaro	16	grey	331	423	1
200.1724.62	450	Blum Tandembox Antaro/Hettich ArciTech	19	grey	325	423	1
200.1721.62	500	Blum Tandembox Antaro	16	grey	381	423	1
200.1722.62	500	Blum Tandembox Antaro/Hettich ArciTech	19	grey	375	423	1
200.1713.62	450	Grass Nova Pro	16	grey	351	430	1
200.1714.62	450	Grass Nova Pro	19	grey	345	430	1
200.1711.62	500	Grass Nova Pro	16	grey	401	430	1
200.1712.62	500	Grass Nova Pro	19	grey	395	430	1



Waste system Oeko Universal 40+6+1.2L | 550/600

This matching waste bin set can simply be placed inside an existing drawer pull-out.

- Can be fitted on right or left

Includes

- 1 40-litres waste bin
- 1 6-litres compost bin including lid, 1 1,2-litres multi-purpose container
- 1 divider
- 1 metal pull-out shelf
- 1 assembly material

Technical data

Height standard: SMS-Norm;EURO-Norm
 Drawer runner nominal length min. (NL): 400 mm
 Material: powder-coated sheet steel/
 plastic

Art. No.	Unit width (EB)	Colour	Volume	Width (B)	Depth (T)	Height (H)
	mm		l	mm	mm	mm
200.1668.43	550/600	anthracite	47,2	512-568	385	443/463



Base mat Oeko Universal | 40+6+1,2L | NL 400

Insert the divider panel into the mat, place them both in the drawer, then put Oeko Universal into position.

- Correctly positions the divider in the drawer
- As an option for tool-free mounting of Oeko Universal
- Can be easily lifted out of the drawer for cleaning
- Can be fitted on right or left

Includes

- 1 base mat

Technical data

Compatible with: Oeko Universal
 40+6+1.2 l
 Drawer runner nominal length (NL):
 400 mm
 Material: plastic

Art. No.	Unit width (EB)	Model	Side panel	Colour	Width (B)	Depth (T)	Height (H)
	mm		mm		mm	mm	mm
200.1783.62	550/600	Universal	16/19	grey	538	480	1
200.2072.62	600	Blum Legrabox/Grass Vionaro/Hettich AvanTech, AvanTechYou	16	grey	525	373	1
200.2073.62	600	Blum Legrabox/Grass Vionaro/Hettich AvanTech, AvanTechYou	19	grey	519	373	1
200.2607.62	600	Blum Merivobox	16	grey	511	373	1
200.2608.62	600	Blum Merivobox	19	grey	505	373	1
200.1829.62	600	Blum Tandembox Antaro	16	grey	481	373	1
200.2079.62	600	Blum Tandembox Antaro	19	grey	475	373	1
200.2081.62	600	Hettich ArciTech	16/19	grey	475	373	1
200.1994.62	600	Grass Nova Pro	16	grey	501	380	1
200.2076.62	600	Grass Nova Pro	19	grey	495	380	1



Base mat Oeko Universal | 40+6+1,2L | NL 450

Insert the divider panel into the mat, place them both in the drawer, then put Oeko Universal into position.

- Correctly positions the divider in the drawer
- As an option for tool-free mounting of Oeko Universal
- Can be easily lifted out of the drawer for cleaning
- Can be fitted on right or left

Includes
1 base mat

Technical data
Compatible with: Oeko Universal 40+6+1.2 |
Drawer runner nominal length (NL): 450 mm
Material: plastic

Art. No.	Unit width (EB)	Model	Side panel	Colour	Width (B)	Depth (T)	Height (H)
	mm		mm		mm	mm	mm
200.1783.62	550/600	Universal	16/19	grey	538	480	1
200.1683.62	600	Blum Legrabox/Grass Vionaro/Hettich AvanTech, AvanTechYou	16	grey	525	423	1
200.1684.62	600	Blum Legrabox/Grass Vionaro/Hettich AvanTech, AvanTechYou	19	grey	519	423	1
200.2613.62	600	Blum Merivobox	16	grey	511	423	1
200.2614.62	600	Blum Merivobox	19	grey	505	423	1
200.1691.62	600	Blum Tandembox Antaro	16	grey	481	423	1
200.1692.62	600	Blum Tandembox Antaro	19	grey	475	423	1
200.1694.62	600	Hettich ArciTech	16/19	grey	475	423	1
200.1687.62	600	Grass Nova Pro	16	grey	501	430	1
200.1688.62	600	Grass Nova Pro	19	grey	495	430	1



Waste system Oeko Universal 40+17L | 600

This matching waste bin set can simply be placed inside an existing drawer pull-out.

- Can be fitted on right or left
- * Not suitable for 17-litre bin bags

Includes
1 40-litres waste bin
1 17-litres multi-purpose container* with lid
1 position angle
1 metal pull-out shelf
1 assembly material

Technical data
Height standard: SMS-Norm;EURO-Norm
Drawer runner nominal length min. (NL): 400 mm
Material: powder-coated sheet steel/plastic

Art. No.	Unit width (EB)	Colour	Volume	Width (B)	Depth (T)	Height (H)
	mm		l	mm	mm	mm
200.1669.43	600	anthracite	57	562-568	385	443/463



Waste system Oeko Universal 17+17+17L | 600

This matching waste bin set can simply be placed inside an existing drawer pull-out.

- * Not suitable for 17-litre bin bags

Includes
 3 17-litres multi-purpose containers* with lid
 1 position angle
 1 metal pull-out shelf
 1 assembly material

Technical data
 Height standard: EURO-Norm
 Drawer runner nominal length min. (NL): 400 mm
 Material: powder-coated sheet steel/ plastic

Art. No.	Unit width (EB)	Colour	Volume	Width (B)	Depth (T)	Height (H)
	mm		l	mm	mm	mm
200.1670.43	600	anthracite	51	562-568	385	443



Waste system Oeko Universal 40L + Spider | 600

This matching waste bin set can simply be placed inside an existing drawer pull-out.

- Can be fitted on right or left

Includes
 1 40-litres waste bin
 1 Spider bottle partition for wooden back walls (16 mm)
 1 position angle
 1 metal pull-out shelf
 1 assembly material

Technical data
 Height standard: SMS-Norm;EURO-Norm
 Drawer runner nominal length min. (NL): 400 mm
 Material: powder-coated sheet steel/ plastic

Art. No.	Unit width (EB)	Colour	Volume	Width (B)	Depth (T)	Height (H)
	mm		l	mm	mm	mm
200.2115.43	600	anthracite	40	562-568	385	443/463



Waste system Oeko Universal 40L + Oeko Bag | 600

This matching waste bin set can simply be placed inside an existing drawer pull-out.

- Can be fitted on right or left

Includes
 1 40-litres waste bin
 1 Oeko Bag 9-litres multi-purpose bag
 1 position angle
 1 metal pull-out shelf
 1 assembly material

Technical data
 Height standard: SMS-Norm;EURO-Norm
 Drawer runner nominal length min. (NL): 400 mm
 Material: powder-coated sheet steel/ plastic

Art. No.	Unit width (EB)	Colour	Volume	Width (B)	Depth (T)	Height (H)
	mm		l	mm	mm	mm
200.2116.43	600	anthracite	59	562-568	385	443/463



Base mat Oeko Universal | 40+17L, 17+17+17L, 40L+Spider, 40L+Bag | NL 400

Insert the position angle into the mat, place them both in the drawer, then put Oeko Universal into position.

- Correctly positions the fixing bracket in the drawer
- For assembling Oeko Universal without tools
- Can be easily lifted out of the drawer for cleaning
- optional

Includes
1 base mat

Technical data
Compatible with: Oeko Universal 40+17 I, Oeko Universal 17+17+17 I, Oeko Universal 40 I + Oeko Bag, Oeko Universal 40 I + Spider
Drawer runner nominal length (NL): 400 mm
Material: plastic

Art. No.	Unit width (EB)	Model	Side panel	Co-lour	Width (B)	Depth (T)	Height (H)
	mm		mm		mm	mm	mm
200.1789.62	550/600	Universal	16-19	grey	538	480	1
200.2086.62	600	Blum Legrabox/Grass Vionaro/Hettich AvanTech, AvanTechYou	16	grey	525	373	1
200.2087.62	600	Blum Legrabox/Grass Vionaro/Hettich AvanTech, AvanTechYou	19	grey	519	373	1
200.2629.62	600	Blum Merivobox	16	grey	511	373	1
200.2630.62	600	Blum Merivobox	19	grey	505	373	1
200.2102.62	600	Blum Tandembox Antaro	16	grey	481	373	1
200.2088.62	600	Blum Tandembox Antaro/Hettich ArciTech	19	grey	475	373	1
200.2094.62	600	Grass Nova Pro	16	grey	501	380	1
200.2095.62	600	Grass Nova Pro	19	grey	495	380	1



Base mat Oeko Universal | 40+17L, 17+17+17L, 40L+Spider, 40L+Bag | NL 450

Insert the position angle into the mat, place them both in the drawer, then put Oeko Universal into position.

- Correctly positions the fixing bracket in the drawer
- For assembling Oeko Universal without tools
- Can be easily lifted out of the drawer for cleaning
- optional

Includes
1 base mat

Technical data
Compatible with: Oeko Universal 40+17 I, Oeko Universal 17+17+17 I, Oeko Universal 40 I + Oeko Bag, Oeko Universal 40 I + Spider
Drawer runner nominal length (NL): 450 mm
Material: plastic

Art. No.	Unit width (EB)	Model	Side panel	Co-lour	Width (B)	Depth (T)	Height (H)
	mm		mm		mm	mm	mm
200.1789.62	550/600	Universal	16-19	grey	538	480	1
200.1697.62	600	Blum Legrabox/Grass Vionaro/Hettich AvanTech, AvanTechYou	16	grey	525	423	1
200.1698.62	600	Blum Legrabox/Grass Vionaro/Hettich AvanTech, AvanTechYou	19	grey	519	423	1
200.2646.62	600	Blum Merivobox	16	grey	511	423	1
200.2647.62	600	Blum Merivobox	19	grey	505	423	1
200.1717.62	600	Blum Tandembox Antaro	16	grey	481	423	1
200.1718.62	600	Blum Tandembox Antaro/Hettich ArciTech	19	grey	475	423	1
200.1707.62	600	Grass Nova Pro	16	grey	501	430	1
200.1708.62	600	Grass Nova Pro	19	grey	495	430	1



Waste system Oeko Universal 40+17+17L | 900

This matching waste bin set can simply be placed inside an existing drawer pull-out.

- Can be fitted on right or left
- * Not suitable for 17-litre bin bags

Includes

- 1 40-litres waste bin
- 2 17-litres multi-purpose containers* with lid
- 2 position angles
- 1 fixed metal pull-out shelf
- 1 assembly material

Technical data

Height standard: SMS-Norm;EURO-Norm
 Drawer runner nominal length min. (NL): 400 mm
 Material: powder-coated sheet steel/
 plastic

Art. No.	Unit width (EB)	Colour	Volume	Width (B)	Depth (T)	Height (H)
	mm		l	mm	mm	mm
200.1666.43	900	anthracite	74	862-868	385	425



Base mat Oeko Universal | 40+17+17L | NL 400

Insert the position angle into the mat, place them both in the drawer, then put Oeko Universal into position.

- Correctly positions the fixing bracket in the drawer
- As an option for tool-free mounting of Oeko Universal
- Can be easily lifted out of the drawer for cleaning
- Can be fitted on right or left

Includes

- 1 base mat

Technical data

Compatible with: Oeko Universal
 40+17+17 l
 Drawer runner nominal length (NL): 400 mm
 Material: plastic

Art. No.	Unit width (EB)	Model	Side panel	Co-lour	Width (B)	Depth (T)	Height (H)
	mm		mm		mm	mm	mm
200.2271.62	900	Universal	16-19	grey	825	480	1
200.2108.62	900	Blum Legrabox/Grass Vionaro/Hettich AvanTech, AvanTechYou	16	grey	825	373	1
200.2109.62	900	Blum Legrabox/Grass Vionaro/Hettich AvanTech, AvanTechYou	19	grey	819	373	1
200.2631.62	900	Blum Merivobox	16	grey	811	373	1
200.2632.62	900	Blum Merivobox	19	grey	805	373	1
200.2112.62	900	Blum Tandembox Antaro	16	grey	781	373	1
200.2113.62	900	Blum Tandembox Antaro/Hettich ArciTech	19	grey	775	373	1
200.2110.62	900	Grass Nova Pro	16	grey	801	380	1
200.2111.62	900	Grass Nova Pro	19	grey	795	380	1



Base mat Oeko Universal | 40+17+17L | NL 450

Insert the position angle into the mat, place them both in the drawer, then put Oeko Universal into position.

- Correctly positions the fixing bracket in the drawer
- As an option for tool-free mounting of Oeko Universal
- Can be easily lifted out of the drawer for cleaning
- Can be fitted on right or left

Includes
1 base mat

Technical data
Compatible with: Oeko Universal
40+17+17 l
Drawer runner nominal length (NL):
450 mm
Material: plastic

Art. No.	Unit width (EB)	Model	Side panel	Co-lour	Width (B)	Depth (T)	Height (H)
	mm		mm		mm	mm	mm
200.2271.62	900	Universal	16-19	grey	825	480	1
200.1695.62	900	Blum Legrabox/Grass Vionaro/Hettich AvanTech, AvanTechYou	16	grey	825	423	1
200.1696.62	900	Blum Legrabox/Grass Vionaro/Hettich AvanTech, AvanTechYou	19	grey	819	423	1
200.2648.62	900	Blum Merivobox	16	grey	811	423	1
200.2649.62	900	Blum Merivobox	19	grey	805	423	1
200.1715.62	900	Blum Tandembox Antaro	16	grey	781	423	1
200.1716.62	900	Blum Tandembox Antaro/Hettich ArciTech	19	grey	775	423	1
200.1705.62	900	Grass Nova Pro	16	grey	801	430	1
200.1706.62	900	Grass Nova Pro	19	grey	795	430	1



Waste system Oeko Universal 40+17+17+6+1.2L | 900

This matching waste bin set can simply be placed inside an existing drawer pull-out.

- Can be fitted on right or left
- * Not suitable for 17-litre bin bags

Includes
1 40-litres waste bin, 2 17-litres multi-purpose containers* with lid
1 6-litres compost bin including lid,
1 1,2-litres multi-purpose container
1 divider, 1 position angle
1 fixed metal pull-out shelf
1 assembly material

Technical data
Height standard: SMS-Norm;EURO-Norm
Drawer runner nominal length min. (NL): 400 mm
Material: powder-coated sheet steel/ plastic

Art. No.	Unit width (EB)	Colour	Volume	Width (B)	Depth (T)	Height (H)
	mm		l	mm	mm	mm
200.1667.43	900	anthracite	81,2	862-868	385	425



Base mat Oeko Universal | 40+17+17+6+1,2L | NL 400

Insert the divider panel into the mat, place them both in the drawer, then put Oeko Universal into position.

- Correctly positions the divider in the drawer
- As an option for tool-free mounting of Oeko Universal
- Can be easily lifted out of the drawer for cleaning
- Can be fitted on right or left

Includes
1 base mat

Technical data
Compatible with: Oeko Universal
40+17+17+6+1.2 l
Drawer runner nominal length (NL): 400 mm
Material: plastic

Art. No.	Unit width (EB)	Model	Side panel	Co-lour	Width (B)	Depth (T)	Height (H)
	mm		mm		mm	mm	mm
200.2272.62	900	Universal	16/19	grey	825	480	1
200.2084.62	900	Blum Legrabox/Grass Vionaro/Hettich AvanTech, AvanTechYou	16	grey	825	373	1
200.2085.62	900	Blum Legrabox/Grass Vionaro/Hettich AvanTech, AvanTechYou	19	grey	819	373	1
200.2609.62	900	Blum Merivobox	16	grey	811	373	1
200.2610.62	900	Blum Merivobox	19	grey	805	373	1



Base mat Oeko Universal | 40+17+17+6+1,2L | NL 450

Insert the divider panel into the mat, place them both in the drawer, then put Oeko Universal into position.

- Correctly positions the divider in the drawer
- As an option for tool-free mounting of Oeko Universal
- Can be easily lifted out of the drawer for cleaning
- Can be fitted on right or left

Includes
1 base mat

Technical data
Compatible with: Oeko Universal
40+17+17+6+1.2 l
Drawer runner nominal length (NL): 450 mm
Material: plastic

Art. No.	Unit width (EB)	Model	Side panel	Co-lour	Width (B)	Depth (T)	Height (H)
	mm		mm		mm	mm	mm
200.2272.62	900	Universal	16/19	grey	825	480	1
200.1681.62	900	Blum Legrabox/Grass Vionaro/Hettich AvanTech, AvanTechYou	16	grey	825	423	1
200.1682.62	900	Blum Legrabox/Grass Vionaro/Hettich AvanTech, AvanTechYou	19	grey	819	423	1
200.2615.62	900	Blum Merivobox	16	grey	811	423	1
200.2616.62	900	Blum Merivobox	19	grey	805	423	1



Foot pedal Oeko

Press down the pedal with your foot and the waste system glides out.

- Hands-free opening of the waste system
- Softclose and selfclose also work with a pedal
- Front can be opened with pedal and handle
- optional

Includes
1 foot pedal
1 assembly material

Technical data
Compatible with: Oeko Complet, Oeko Universal, Oeko FreezyBoy Complet, Oeko FreezyBoy Universal
Ejection stroke: 45 mm
Material: powder-coated sheet steel

Art. No.	Colour	Width (B)	Depth (T)	Height (H)
		mm	mm	mm
200.1401.00	mat chromed	110	71	70



Bottle partition Spider

Clip Spider onto the drawer's back wall – no tools required.

- Prevents bottles and spice jars of different sizes from toppling
- optional

Includes
1 bottle partition

Technical data
Compatible with: drawer
Divider: 8
Material: powder-coated sheet steel

Art. No.	Type	Unit width min. (EB)	Model	Back wall	Colour	Width (B)	Depth (T)	Height (H)
		mm		mm		mm	mm	mm
200.1800.21	metal back wall	275	Blum Tandembox Intivo and Antaro	13.5	white	175	433	61
200.1800.43	metal back wall	275	Blum Tandembox Intivo and Antaro	13.5	anthracite	175	433	61
200.1801.21	wooden back wall	275	Universal	16	white	175	435	45
200.1801.43	wooden back wall	275	Universal	16	anthracite	175	435	45
200.1828.21	metal back wall	275	Blum Legrabox/Blum Merivobox	16	white	175	435	61
200.1828.43	metal back wall	275	Blum Legrabox/Blum Merivobox	16	anthracite	175	435	61



Multi-purpose bag Oeko Bag

The multi-purpose, woven polypropylene bag with a reinforced base is available as an option for the waste system.

- Can be used in any unit or drawer

Includes
1 Oeko Bag multi-purpose bag

Technical data
Compatible with: Oeko Universal, drawer
Material: plastic

Art. No.	Colour	Volume	Width (B)	Depth (T)	Height (H)
		L	mm	mm	mm
200.1909.00	grey	19	160	320	370



Waste system

Oeko FreezyBoy Universal

FreezyBoy cools organic waste to -5°C and paired with Oeko Universal forms a hygienic waste sorting system that can be fitted in all standard drawer pull-outs.

At last, a truly hygienic way to sort your waste! FreezyBoy chills organic waste and leftover food to -5°C , which prevents it from decomposing. That means you only need to empty your organic waste bin when it's full to the brim. Designed to be combined with our waste system, FreezyBoy can be fitted alongside Oeko Universal in any standard drawer pull-out. You will enjoy a host of great features including a generously-sized container, a pull-out metal shelf offering extra storage space, easy-clean parts and, in the case of the 40-litre bin, our patented bag holder system for waste bags from 15 to 50 litres.



Cooling to -5 °C stops the decomposition of organic waste



Effectively neutralizes odors.



Full comfort without disruptive factors.



Central storage, leave it in your kitchen for weeks.

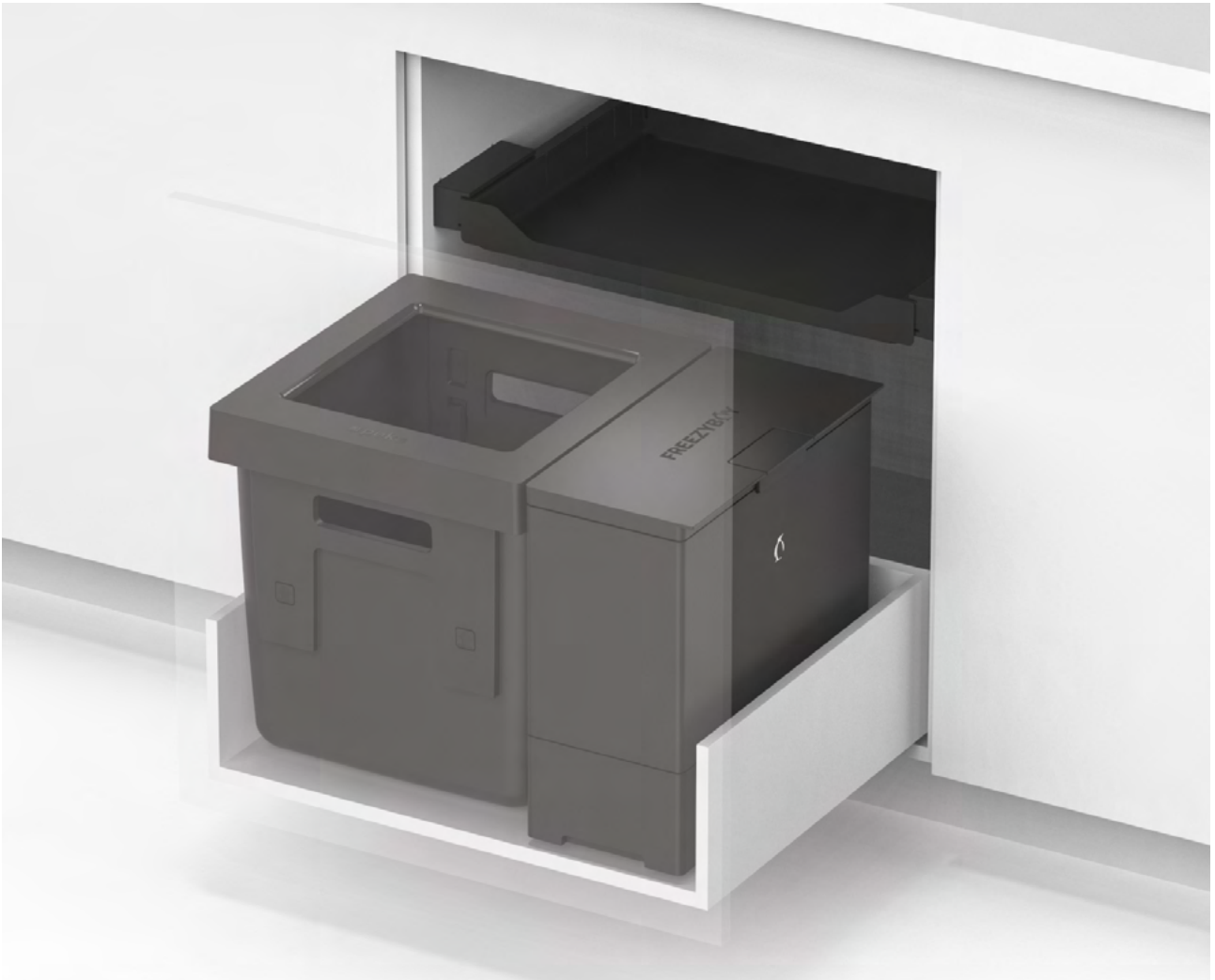


Promotes recycling. Less CO2 and more renewable energy.

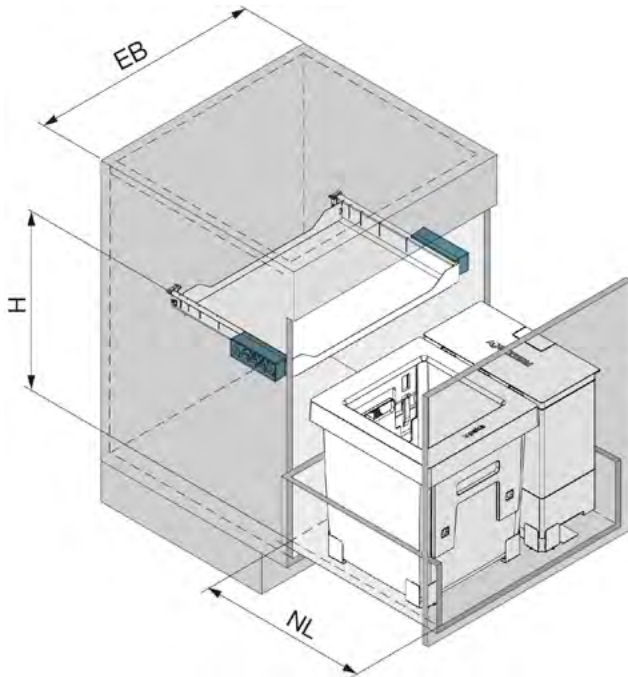


FEATURES AND BENEFITS

- + FreezyBoy prevents fermentation by chilling organic waste to -5°C, eliminating unpleasant odours
- + Organic waste only needs to be disposed of once the 7-litre bin is full – without compromising on hygiene
- + FreezyBoy easy-to-carry inner container is dishwasher safe
- + Waste bags can be filled to the brim in the 40-litre bin
- + Generously-sized containers and a pull-out metal shelf that offers extra storage space
- + Bins are easy to remove, making cleaning them a piece of cake
- + Optional foot pedal for handle-free opening



TECHNICAL DATA



Handle-free fronts	optional
Barrier-free	yes
Unit width (EB)	600 mm
Colour	anthracite
Drawer runner nominal length min. (NL)	450 mm
Height (H)	442/472 mm
Volume	47 l

TECHNICAL CHARACTERISTICS

- ▶ Low power consumption of approx. 75 kWh a year (equivalent to approx. CHF 12 a year)
- ▶ Fits in all new-generation drawer types
- ▶ Pre-assembled components for quick and easy installation
- ▶ Optional easy-clean base mat for no-drill installation



Waste system Oeko FreezyBoy Universal 40L + FreezyBoy | 600

FreezyBoy cools organic waste to -5°C and paired with Oeko Universal forms a hygienic waste sorting system that can be fitted in all standard drawer pull-outs.

- Patented holder system: 1-2 waste bags of various sizes (15 to 50 litres) can be clipped into the frame quickly and easily
- Can be fitted on right or left

Includes

- 1 40-litres waste bin
- 1 FreezyBoy with 7-litres inner container
- 1 locking system for bin
- 1 metal pull-out shelf
- 1 assembly material

Technical data

Height standard: SMS-Norm;EURO-Norm
 Drawer runner nominal length min. (NL): 450 mm
 Material: powder-coated sheet steel/plastic

Art. No.	Unit width (EB)	Colour	Volume	Width (B)	Depth (T)	Height (H)
	mm		l	mm	mm	mm
200.1988.43	600	anthracite	47	562-568	450	442/472



Foot pedal Oeko

Press down the pedal with your foot and the waste system glides out.

- Hands-free opening of the waste system
- Softclose and selfclose also work with a pedal
- Front can be opened with pedal and handle
- optional

Includes

- 1 foot pedal
- 1 assembly material

Technical data

Compatible with: Oeko Complet,
 Oeko Universal,Oeko FreezyBoy Complet,
 Oeko FreezyBoy Universal
 Ejection stroke: 45 mm
 Material: powder-coated sheet steel

Art. No.	Colour	Width (B)	Depth (T)	Height (H)
		mm	mm	mm
200.1401.00	mat chromed	110	71	70



Waste bin

Müllboy Standard

The round bin swivels right out of the unit when the unit door is opened, raising its lid at the same time.

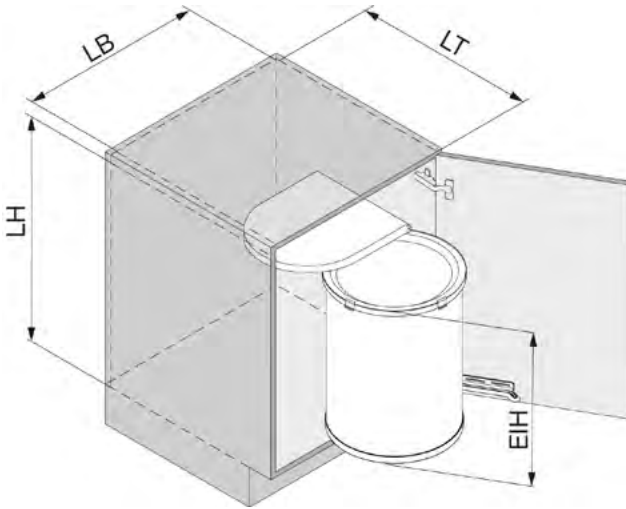
The Müllboy round bin swivels right out of the unit when the unit door is opened. Its lid lifts up at the same time, but remains inside the unit, making Müllboy easy to use from above. Bags can be clipped into the top of the bin and fastened in place with the fitted frame. Müllboy is fixed to the inside wall of the unit and the door. Its sturdy runner and metal container also allow waste to be pushed down firmly inside the bin.



FEATURES AND BENEFITS

- + Müllboy swivels right out of the unit, making it easy to drop in waste from above
- + No-mess solution featuring an overflow ring and a lid that automatically rises and lowers when the unit is opened and closed
- + Sturdy metal container allows waste to be pressed down firmly
- + Waste bags of various sizes can be clipped in easily for waste separation
- + The bin is easy to remove, making cleaning it a piece of cake
- + Can be combined with dustpan and brush holder, Sesam Mini, Pinello Inside and Pesolo

TECHNICAL DATA



Handle-free fronts	optional
Barrier-free	yes
Type	1/2
Colour	anthracite
Load capacity	0-7 kg
Height of the bin (EIH)	340/410 mm
Interior width min. (LB)	415 mm
Interior depth min. (LT)	340 mm
Interior height min. (LH)	430/500 mm
Height (H)	430/500 mm
Volume	25/30 l

TECHNICAL CHARACTERISTICS

- ▶ Durable, maintenance-free technology
- ▶ Comes with drilling template for easy mounting on the inside wall of the unit and the door
- ▶ Ideal for retrofitting and taking with you every time you move house
- ▶ Nachhaltig konzipiert, mit einzeln erhältlichen Ersatzteilen
- ▶ Smooth, silent movement
- ▶ Suitable for unit widths from 450 mm and interior depths from 340 mm
- ▶ Low number of variants, as Müllboy can be fitted on right or left and is independent of side panel thickness and hinge type
- ▶ Available in two heights, Müllboy fits under any sink, providing certainty during the planning/design process



Waste bin Müllboy Standard

The round bin swivels right out of the unit when the unit door is opened, raising its lid at the same time.

Includes

1 waste bin with waste bag holder
1 assembly material

Technical data

Load capacity: 0-7 kg
Height standard: SMS-Norm;EURO-Norm
Material: powder-coated sheet steel/
plastic

Art. No.	Type	Colour	Volume	Height of the bin (EIH)	Interior width min. (LB)	Interior depth min. (LT)	Interior height min. (LH)	Width (B)	Depth (T)	Height (H)
			l	mm	mm	mm	mm	mm	mm	mm
200.0043.43	1	anthracite	30	410	415	340	500	408	335	500
200.0047.43	2	anthracite	25	340	415	340	430	408	335	430



Dustpan and brush holder

Fix the holder in place with two screws

- Quick to install with 2 screws (included)
- Can be retrofitted

Includes

1 dustpan and brush holder
1 assembly material

Technical data

Compatible with: Müllboy Standard,
Müllboy Big
Material: powder-coated sheet steel

Art. No.	Colour	Width (B)	Depth (T)	Height (H)
		mm	mm	mm
200.2274.01	white	238	80	77/122
200.2274.12	silver	238	80	77/122
200.2274.43	anthracite	238	80	77/122



Base unit pull-out Peroko 5

Pull out and unclip the basket and carry it to wherever you are cleaning.

Includes

1 upper slide
1 frame with 2 baskets and 2 trays
1 assembly material

Technical data

Integrated Softclose: no
Integrated Softopen: no
Assembly with ClickFixx: no
Load capacity: 0-5 kg
Material: powder-coated sheet steel/
plastic

Art. No.	Colour	Interior width min. (LB)	Interior depth min. (LT)	Interior height min. (LH)	Width (B)	Depth (T)	Height (H)	Status
		mm	mm	mm	mm	mm	mm	
200.0829.02	silver	106	480	550	96	475	505	while stocks last



Internal pull-out Pinello Inside

Open the front panel and slide out the internal pull-out with two to four levels of storage space.

Includes

1 basic set Pinello Inside incl. slides
2 non-slip mats

Technical data

Design line: Liro
Integrated Softclose: yes
Assembly with ClickFixx: yes
Load capacity: 0-15 kg
Material: powder-coated sheet steel

Art. No.	Type	Unit width min. (EB)	Model	Colour	Interior width min. (LB)	Interior depth min. (LT)	Interior height min. (LH)	Width (B)	Depth (T)	Height (H)
		mm			mm	mm	mm	mm	mm	mm
200.2520.01	left	150	Grass Nova Pro	white	112	506	525/535	109	506	522
200.2520.12	left	150	Grass Nova Pro	silver	112	506	525/535	109	506	522
200.2520.43	left	150	Grass Nova Pro	anthracite	112	506	525/535	109	506	522
200.2521.01	right	150	Grass Nova Pro	white	112	506	525/535	109	506	522
200.2521.12	right	150	Grass Nova Pro	silver	112	506	525/535	109	506	522
200.2521.43	right	150	Grass Nova Pro	anthracite	112	506	525/535	109	506	522



Multi-purpose shelf Sesam Mini

Screw the metal base inside a cupboard or onto a cupboard door, and attach the shelves and hooks to suit your needs.

- Modular system, so the shelves are height-adjustable

Includes

1 shelf system
2 clip-on shelves
2 clip-on hooks
1 assembly material

Technical data

Compatible with: Müllboy Standard, Müllboy Big
Design line: Libell
Load capacity: 0-10 kg
Load capacity per shelf: 0-5 kg
Material: powder-coated sheet steel

Art. No.	Colour	Interior width min. (LB)	Interior depth min. (LT)	Interior height min. (LH)	Width (B)	Depth (T)	Height (H)
		mm	mm	mm	mm	mm	mm
600.0380.01	white	200/450	350/200	500	121	278	434
600.0380.12	silver	200/450	350/200	500	121	278	434
600.0380.43	anthracite	200/450	350/200	500	121	278	434



Waste bin

Müllboy Big

The round bin swivels right out of the unit when the unit door is opened, raising its lid at the same time.

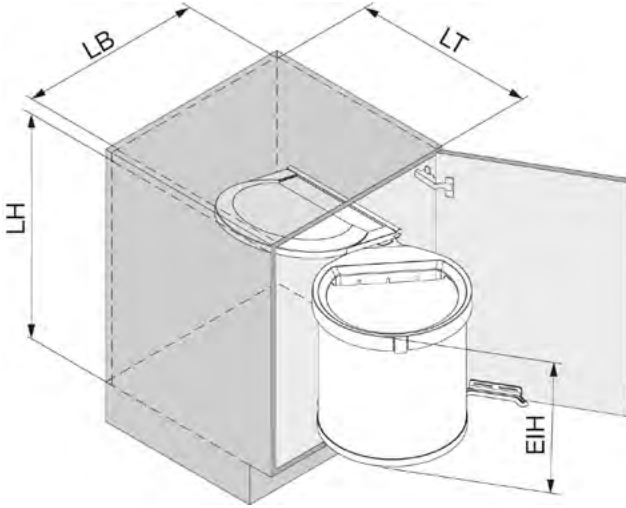
The Müllboy round bin swivels right out of the unit when the unit door is opened. Its lid lifts up at the same time, but remains inside the unit, making Müllboy easy to use from above. Bags can be clipped into the top of the bin and fastened in place with the fitted frame. The Müllboy Big model has an impressively large capacity, allowing you to fill waste bags right to the top. If required, two smaller bags can be fitted side by side instead of one larger one. Müllboy is fixed to the inside wall of the unit and the door. Its sturdy runner and metal container also allow waste to be pushed down firmly inside the bin.



FEATURES AND BENEFITS

- + Müllboy swivels right out of the unit, making it easy to drop in waste from above
- + No-mess solution featuring a large opening, an overflow ring and a lid that automatically rises and lowers when the unit is opened and closed
- + Generously-sized bin for waste bags up to 110 cm in circumference
- + Waste bags of various sizes can be clipped in easily for waste separation
- + Sturdy metal container allows waste to be pressed down firmly
- + The bin is easy to remove, making cleaning it a piece of cake
- + Can be combined with dustpan and brush holder, Sesam Mini, Pinello Inside and Pesolo
- + Bin bag rolls can be stored on the lid

TECHNICAL DATA



Handle-free fronts	optional
Barrier-free	yes
Type	1/2
Colour	anthracite
Load capacity	0-8 kg
Height of the bin (EIH)	315/395 mm
Interior width min. (LB)	455 mm
Interior depth min. (LT)	400 mm
Interior height min. (LH)	390/460 mm
Height (H)	390/460 mm
Volume	32/40 l

TECHNICAL CHARACTERISTICS

- ▶ Durable, maintenance-free technology
- ▶ Comes with drilling template for easy mounting on the inside wall of the unit and the door
- ▶ Ideal for retrofitting and taking with you every time you move house
- ▶ Smooth, silent movement
- ▶ Low number of variants, as Müllboy can be fitted on right or left and is independent of side panel thickness and hinge type
- ▶ Available in two heights, Müllboy fits under any sink, providing certainty during the planning/design process
- ▶ No strain is placed on the hinges, so no subsequent servicing or warranty work is required



Waste bin Müllboy Big

The round bin swivels right out of the unit when the unit door is opened, raising its lid at the same time.

Includes

1 waste bin with waste bag holder
1 assembly material

Technical data

Load capacity: 0-8 kg
Height standard: SMS-Norm;EURO-Norm
Material: powder-coated sheet steel/
plastic

Art. No.	Type	Colour	Volume	Height of the bin (EIH)	Interior width min. (LB)	Interior depth min. (LT)	Interior height min. (LH)	Width (B)	Depth (T)	Height (H)
			l	mm	mm	mm	mm	mm	mm	mm
200.1134.43	1	anthracite	40	395	455	400	460	450	385	460
200.1135.43	2	anthracite	32	315	455	400	390	450	385	390



Dustpan and brush holder

Fix the holder in place with two screws

- Quick to install with 2 screws (included)
- Can be retrofitted

Includes

1 dustpan and brush holder
1 assembly material

Technical data

Compatible with: Müllboy Standard,
Müllboy Big
Material: powder-coated sheet steel

Art. No.	Colour	Width (B)	Depth (T)	Height (H)
		mm	mm	mm
200.2274.01	white	238	80	77/122
200.2274.12	silver	238	80	77/122
200.2274.43	anthracite	238	80	77/122



Internal pull-out Pinello Inside

Open the front panel and slide out the internal pull-out with two to four levels of storage space.

Includes

1 basic set Pinello Inside incl. slides
2 non-slip mats

Technical data

Design line: Liro
Integrated Softclose: yes
Assembly with ClickFixx: yes
Load capacity: 0-15 kg
Material: powder-coated sheet steel

Art. No.	Type	Unit width min. (EB)	Model	Colour	Interior width min. (LB)	Interior depth min. (LT)	Interior height min. (LH)	Width (B)	Depth (T)	Height (H)
		mm			mm	mm	mm	mm	mm	mm
200.2520.01	left	150	Grass Nova Pro	white	112	506	525/535	109	506	522
200.2520.12	left	150	Grass Nova Pro	silver	112	506	525/535	109	506	522
200.2520.43	left	150	Grass Nova Pro	anthracite	112	506	525/535	109	506	522
200.2521.01	right	150	Grass Nova Pro	white	112	506	525/535	109	506	522
200.2521.12	right	150	Grass Nova Pro	silver	112	506	525/535	109	506	522
200.2521.43	right	150	Grass Nova Pro	anthracite	112	506	525/535	109	506	522



Base unit pull-out Peroko 5

Pull out and unclip the basket and carry it to wherever you are cleaning.

Includes

1 upper slide
1 frame with 2 baskets and 2 trays
1 assembly material

Technical data

Integrated Softclose: no
Integrated Softopen: no
Assembly with ClickFixx: no
Load capacity: 0-5 kg
Material: powder-coated sheet steel/
plastic

Art. No.	Colour	Interior width min. (LB)	Interior depth min. (LT)	Interior height min. (LH)	Width (B)	Depth (T)	Height (H)	Status
		mm	mm	mm	mm	mm	mm	
200.0829.02	silver	106	480	550	96	475	505	while stocks last



Corner units

Reach right into the corners Make optimal use of the storage space in corner units while keeping everything accessible. Their smart technology, attractive design and smooth movement make corner unit pull-outs a winning solution in any kitchen.

PRODUCT OVERVIEW



Magic Corner Comfort

Handy corner unit pull-out that uses every last inch of space



Magic Corner Standard

Practical corner unit pull-out with attached front panel

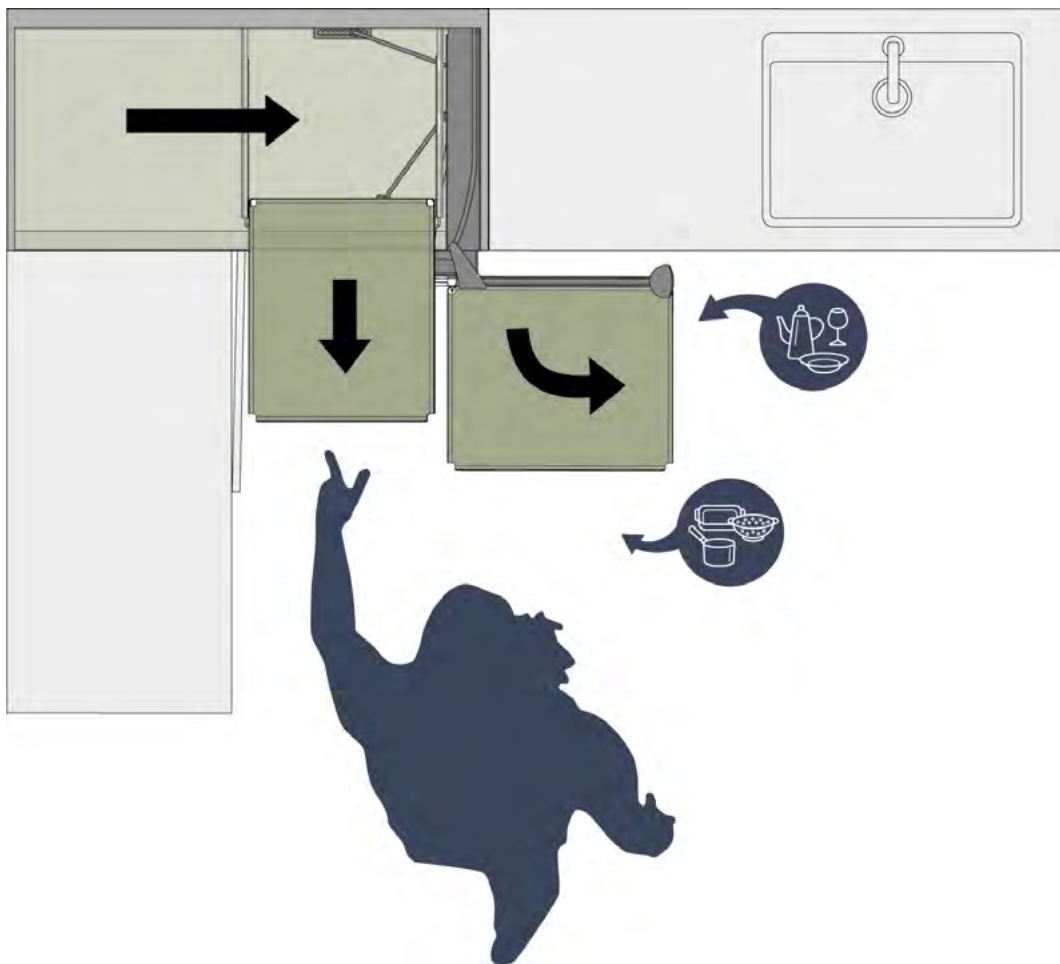


Corner pull-out

Magic Corner Comfort

Just open the door and pull on the handle to make the front shelves swing right out of the unit. The back shelves can be pulled out individually.

Magic Corner Comfort lets you make the most of your corner unit. As if by magic, it also brings the items stored behind to the front, saving you having to rummage around in the back of the cabinet. Its sophisticated engineering will surprise and delight you again and again: the front shelves swivel right out of the unit, softly and smoothly, while the back shelves glide forward and can then be pulled out individually. Magic Corner Comfort gives you a clear overview of the entire unit contents, making it easy to see and take out exactly what you need. This corner unit pull-out really does make use of every last inch of space, at the back and the front, and is ideal for storing everything from large pots or kitchen appliances to tableware and groceries.

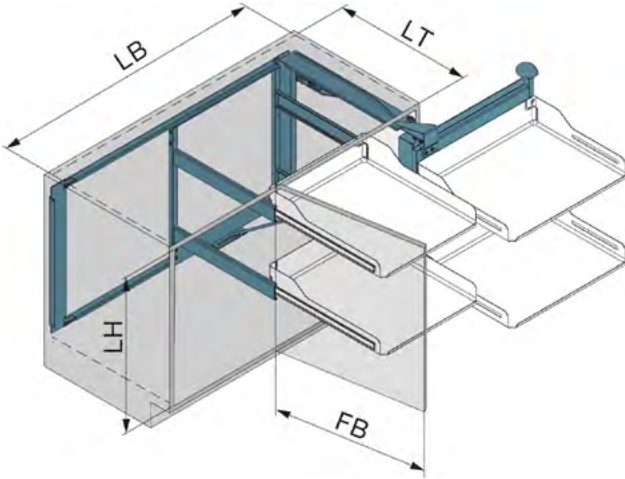


FEATURES AND BENEFITS

- + Brings items stored in a hard-to-reach corner right out of the unit
- + Two units can be used with a single mechanism
- + Complete overview and easy access from three sides and from above
- + Rectangular shelves for optimal use of storage space
- + Plenty of room, even for bulky objects and heavy appliances
- + Suitable for barrier-free living thanks to simple operating mechanism, ergonomic handle and pull-out shelves
- + The back shelves can be pulled out individually for easy loading and unloading
- + Direct access to the front, easier access to the back

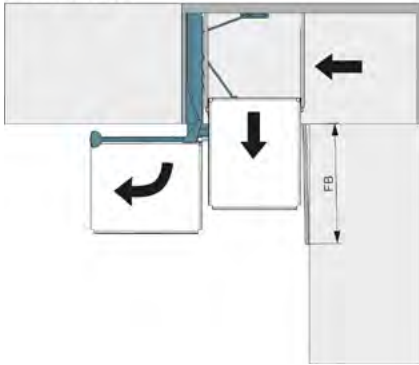


TECHNICAL DATA

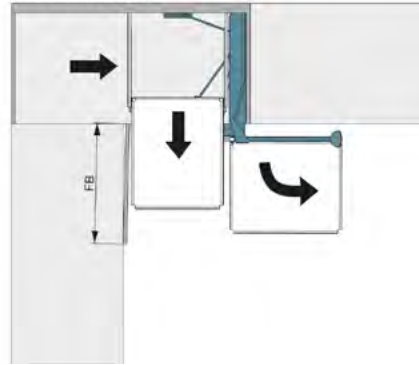


Design line	Fioro/Liro/Libell/Excellent
Handle-free fronts	optional
Barrier-free	yes
Integrated Softclose	yes
Integrated Softopen	no
Type	900/1000
Width of unit front min. (FB)	450/500/550/600 mm
Swings out	right/left
Colour	white/silver/anthracite
Load capacity	0-36 kg
Interior width (LB)	862-971/962-1171 mm
Interior depth min. (LT)	500 mm
Interior height min. (LH)	545 mm

Links / Gauche / Left



Rechts / Droite / Right



TECHNICAL CHARACTERISTICS

- ▶ Sturdy pull-out with reliable movement and smooth running action
- ▶ Built-in Softclose mechanism ensures that the unit can be closed smoothly and silently
- ▶ Height-adjustable shelf for flexible and adaptable storage
- ▶ High-quality and durable system
- ▶ Maintenance-free technology
- ▶ Cost-effective to warehouse with two mechanism sizes for all door widths and mechanism compatible with multiple design lines
- ▶ Mounted on the side wall and base, making it suitable for all unit heights
- ▶ Easy to retrofit



Corner pull-out Magic Corner Comfort right

The corner pull-out supports the clip-on shelves and guides them out of the unit.

- Sturdy pull-out with reliable movement and smooth running action
- Built-in Softclose mechanism ensures that the unit can be closed smoothly and silently

Includes

- 1 back-wall frame
- 2 guide rails with 1 guide plate
- 1 pull-out frame with
- 1 swivel lever

Technical data

Compatible with: Magic Corner Comfort
 Integrated Softclose: yes
 Integrated Softopen: no
 Assembly with ClickFixx: no
 Load capacity: 0-36 kg
 Material: powder-coated sheet steel/
 plastic

Art. No.	Type	Swings out	Colour	Interior width (LB)	Interior depth min. (LT)	Interior height min. (LH)	Width (B)	Depth (T)	Height (H)
				mm	mm	mm	mm	mm	mm
300.0580.01	900	right	white	862-971	500	545	862-971	500	545
300.0580.12	900	right	silver	862-971	500	545	862-971	500	545
300.0580.43	900	right	anthracite	862-971	500	545	862-971	500	545
300.0582.01	1000	right	white	962-1171	500	545	962-1171	500	545
300.0582.12	1000	right	silver	962-1171	500	545	962-1171	500	545
300.0582.43	1000	right	anthracite	962-1171	500	545	962-1171	500	545



Corner pull-out Magic Corner Comfort left

The corner pull-out supports the clip-on shelves and guides them out of the unit.

- Sturdy pull-out with reliable movement and smooth running action
- Built-in Softclose mechanism ensures that the unit can be closed smoothly and silently

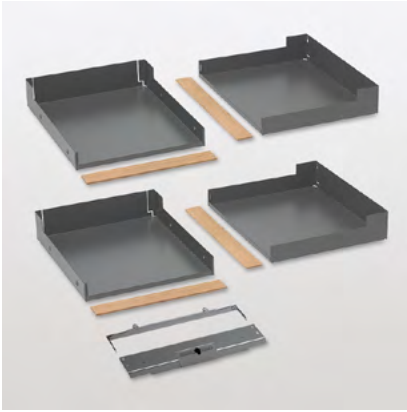
Includes

- 1 back-wall frame
- 2 guide rails with 1 guide plate
- 1 pull-out frame with
- 1 swivel lever

Technical data

Compatible with: Magic Corner Comfort
 Integrated Softclose: yes
 Integrated Softopen: no
 Assembly with ClickFixx: no
 Load capacity: 0-36 kg
 Material: powder-coated sheet steel/
 plastic

Art. No.	Type	Swings out	Colour	Interior width (LB)	Interior depth min. (LT)	Interior height min. (LH)	Width (B)	Depth (T)	Height (H)
				mm	mm	mm	mm	mm	mm
300.0581.01	900	left	white	862-971	500	545	862-971	500	545
300.0581.12	900	left	silver	862-971	500	545	862-971	500	545
300.0581.43	900	left	anthracite	862-971	500	545	862-971	500	545
300.0583.01	1000	left	white	962-1171	500	545	962-1171	500	545
300.0583.12	1000	left	silver	962-1171	500	545	962-1171	500	545
300.0583.43	1000	left	anthracite	962-1171	500	545	962-1171	500	545



Clip-on shelf set Fiore Magic Corner Comfort

Thin-walled, extremely sturdy metal shelves with wooden rail inserts.

- The front shelves are height-adjustable, the back shelves can be pulled out
- Maximum use of space thanks to thin-walled yet extremely sturdy metal shelves
- The front shelves are easy to remove, making cleaning them a piece of cake
- Removable non-slip silicone mats available as an option

Includes

4 clip-on shelves incl. rail inserts
2 crossbars (top+bottom)

Technical data

Compatible with: Magic Corner Comfort
Design line: Fiore
Load capacity per shelf: 0-8/0-10 kg
Material: powder-coated sheet steel/
wood

Art. No.	Width of unit front min. (FB)	Colour	Width (B)	Depth (T)	Height (H)
	mm		mm	mm	mm
300.0972.43	450	anthracite, natural oak	288/280	467/470	55/90
300.0973.43	500	anthracite, natural oak	288/330	467/470	55/90
300.0974.43	550/600	anthracite, natural oak	388/380	467/470	55/90



Clip-on shelf set Liro Magic Corner Comfort

Thin-walled but extremely sturdy metal shelves that can be combined with wooden rail inserts.

- The front shelves are height-adjustable, the back shelves can be pulled out
- Maximum use of space thanks to thin-walled yet extremely sturdy metal shelves
- Also available with wooden rail inserts for extra versatility
- Unique wood/white and wood/silver combinations

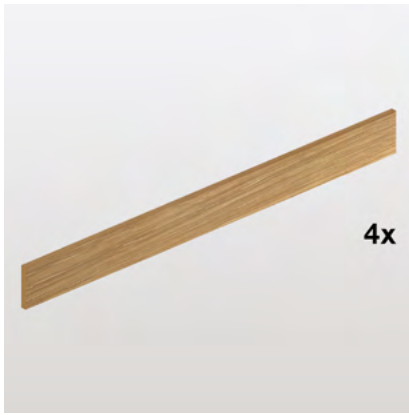
Includes

4 clip-on shelves
2 crossbars (top+bottom)

Technical data

Compatible with: Magic Corner Comfort
Design line: Liro
Load capacity per shelf: 0-8/0-10 kg
Material: powder-coated sheet steel

Art. No.	Width of unit front min. (FB)	Colour	Width (B)	Depth (T)	Height (H)
	mm		mm	mm	mm
300.1116.01	450	white	288/280	467/470	55/90
300.1116.12	450	silver	288/280	467/470	55/90
300.1116.43	450	anthracite	288/280	467/470	55/90
300.1117.01	500	white	288/330	467/470	55/90
300.1117.12	500	silver	288/330	467/470	55/90
300.1117.43	500	anthracite	288/330	467/470	55/90
300.1118.01	550	white	388/380	467/470	55/90
300.1118.12	550	silver	388/380	467/470	55/90
300.1118.43	550	anthracite	388/380	467/470	55/90
300.1119.01	600	white	388/420	467/470	55/90
300.1119.12	600	silver	388/420	467/470	55/90
300.1119.43	600	anthracite	388/420	467/470	55/90



Railing insert set Liro Magic Corner Comfort

Insert the rail into the slot provided in the Liro shelf

- Solid oak rail inserts
- Optional addition to Liro shelves as a style variation
- Goes well with wooden unit fronts and warm colours
- Can be retrofitted without any need for tools

Includes
4 rail inserts

Technical data
Compatible with: clip-on shelf set Liro
Design line: Liro
Material: wood

Art. No.	Width of unit front min. (FB)	Colour	Width (B)	Depth (T)	Height (H)
	mm		mm	mm	mm
300.1121.36	450	natural oak	467/284	6	52
300.1121.66	450	stained oak	467/284	6	52
300.1122.36	500	natural oak	467/284	6	52
300.1122.66	500	stained oak	467/284	6	52
300.1123.36	550	natural oak	467/384	6	52
300.1123.66	550	stained oak	467/384	6	52
300.1124.36	600	natural oak	467/384	6	52
300.1124.66	600	stained oak	467/384	6	52



Clip-on shelf set Libell Magic Corner Comfort

Thin-walled, extremely sturdy metal shelves.

- The front shelves are height-adjustable, the back shelves can be pulled out
- Maximum use of space thanks to thin-walled yet extremely sturdy metal shelves
- The front shelves are easy to remove, making cleaning them a piece of cake
- Removable non-slip mats available as an option

Includes
4 clip-on shelves
2 crossbars (top+bottom)

Technical data
Compatible with: Magic Corner Comfort
Design line: Libell
Load capacity per shelf: 0-8/0-10 kg
Material: powder-coated sheet steel

Art. No.	Width of unit front min. (FB)	Colour	Width (B)	Depth (T)	Height (H)
	mm		mm	mm	mm
300.0696.01	450	white	287/290	470/470	55/92
300.0696.12	450	silver	287/290	470/470	55/92
300.0696.43	450	anthracite	287/290	470/470	55/92
300.0697.01	500	white	287/340	470/470	55/92
300.0697.12	500	silver	287/340	470/470	55/92
300.0697.43	500	anthracite	287/340	470/470	55/92
300.0698.01	550/600	white	387/390	470/470	55/92
300.0698.12	550/600	silver	387/390	470/470	55/92
300.0698.43	550/600	anthracite	387/390	470/470	55/92



Non-slip mat set Magic Corner Comfort

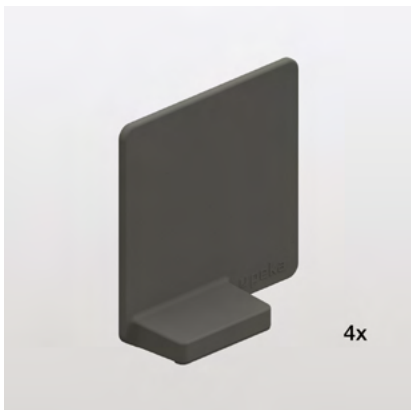
Lay the non-slip mat on the shelf to stabilise the stored items. To clean the mat, remove it from the shelf and rinse it under running water.

- Keeps items in place on the shelf
- Pleasant feel with a finely textured surface
- Reduces noise when items are stowed
- optional

Includes
4 non-slip mats

Technical data
Compatible with: clip-on shelf set
Fiuro/Liro/Libell
Material: silicone

Art. No.	Width of unit front min. (FB)	Colour	Width (B)	Depth (T)	Height (H)
	mm		mm	mm	mm
300.1099.57	450	oyster white	240/240	440/440	1
300.1099.56	450	walnut grey	240/240	440/440	1
300.1100.57	500	oyster white	240/300	440/450	1
300.1100.56	500	walnut grey	240/300	440/450	1
300.1101.57	550	oyster white	350/350	440/440	1
300.1101.56	550	walnut grey	350/350	440/440	1
300.1105.57	600	oyster white	350/400	440/438	1
300.1105.56	600	walnut grey	350/400	440/438	1



Divider set magnetic

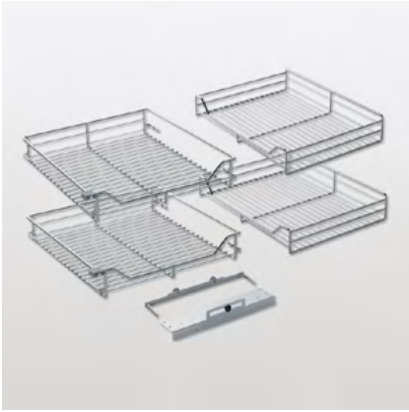
Position the dividers on the base or wall of a metal shelf as required.

- For dividing the shelf into compartments to suit users' needs
- Keeps items in place on the shelf
- Attaches magnetically to the base or the side wall of the metal shelf
- optional

Includes
4 dividers

Technical data
Material: plastic

Art. No.	Unit width min. (EB)	Colour	Width (B)	Depth (T)	Height (H)
	mm		mm	mm	mm
200.2543.51	150	white	77.5	25/3	76
200.2543.52	150	grey	77.5	25/3	76
200.2543.43	150	anthracite	77.5	25/3	76



Clip-on basket-Set Excellent Magic Corner Comfort

Chrome-plated wire baskets.

- The front shelves are height-adjustable, the back shelves can be pulled out
- The front baskets are easy to remove, making cleaning a piece of cake

Includes

4 clip-on baskets
2 crossbars (top+bottom)
1 assembly material

Technical data

Compatible with: Magic Corner Comfort
Design line: Excellent
Load capacity per shelf: 0-8/0-10 kg
Material: chrome-plated wire

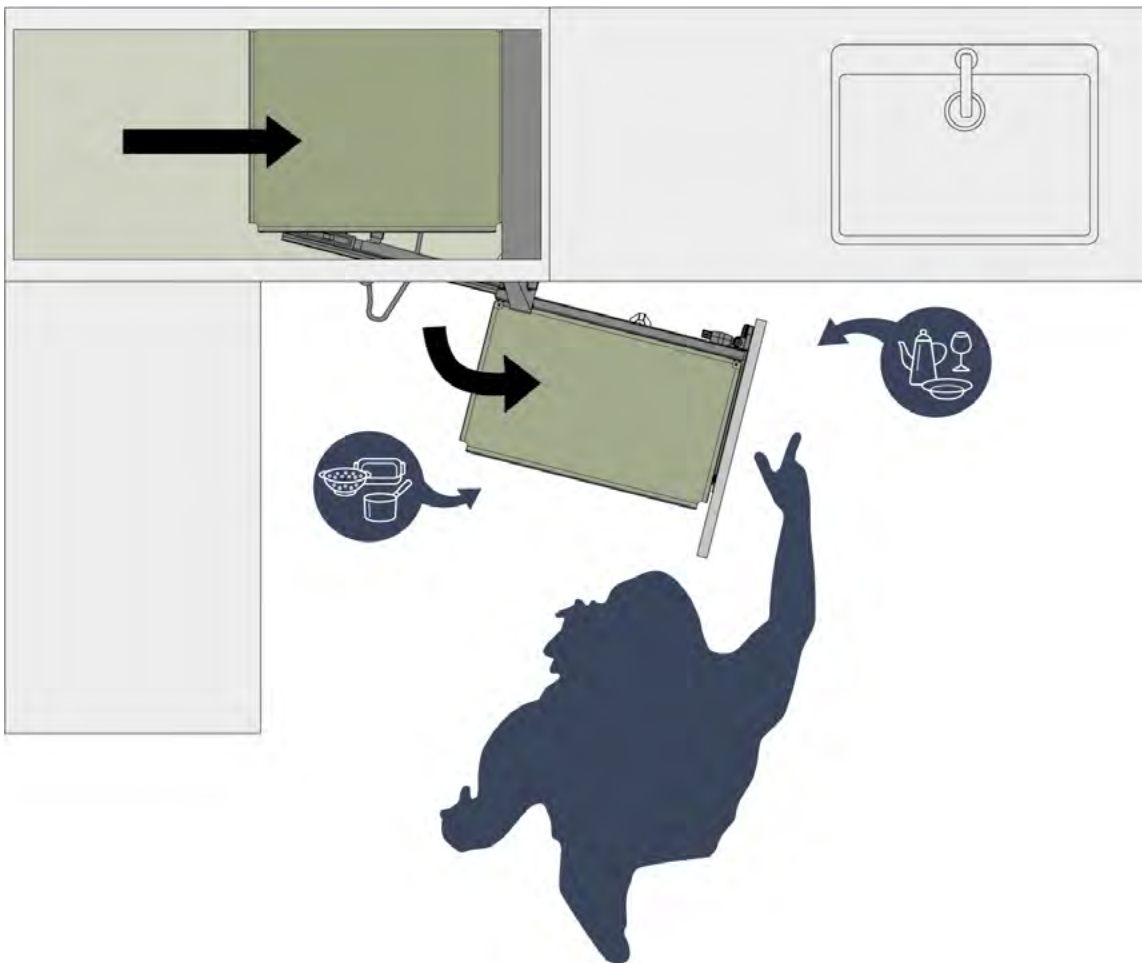
Art. No.	Width of unit front min. (FB)	Colour	Width (B)	Depth (T)	Height (H)
	mm		mm	mm	mm
300.0596.05	450	chrome	290/270	470/470	80/85
300.0597.05	500	chrome	290/340	470/470	80/85
300.0599.05	600	chrome	390/390	470/470	80/85



Corner pull-out Magic Corner Standard

When the door is opened, the attached shelves swivel out and the back shelves automatically glide forward into the front of the cabinet.

Magic Corner Standard lets you make full use of the storage space in a corner. As if by magic, it also brings the items stored behind to the front, saving you having to rummage around in the back of the cabinet. Magic Corner Standard is a smart, sophisticated system that gives you access to the full contents of your units. When the door is opened, the front shelves swivel out of the unit in a smooth, circular movement and the back shelves automatically glide forward into the front of the cabinet. You can store anything from large pots and kitchen appliances through to tableware or groceries, using every last inch of available space. Unrestricted access guaranteed!

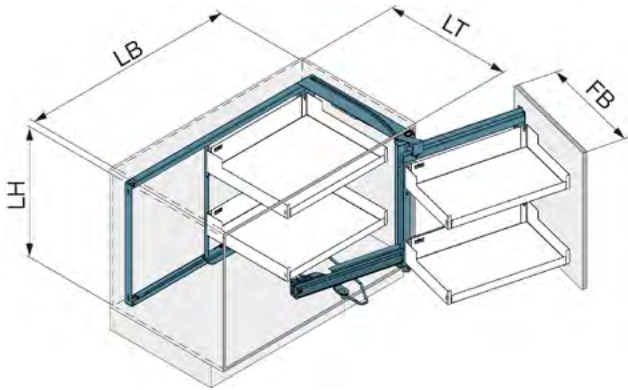


FEATURES AND BENEFITS

- + A single movement brings items stored in a hard-to-reach corner to the front part of the unit
- + Two units can be used with a single mechanism
- + The smooth movement prevents stored items from falling out
- + Rectangular shelves for optimal use of storage space
- + Plenty of room, even for bulky objects and heavy appliances

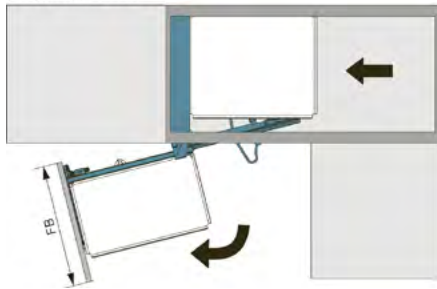


TECHNICAL DATA

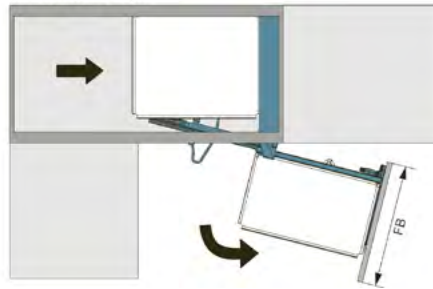


Design line	Fioro/Liro/Libell/Excellent
Handle-free fronts	no
Barrier-free	no
Integrated Softclose	yes
Integrated Softopen	no
Type	900/1000
Width of unit front min. (FB)	400/450/500/550/600 mm
Swings out	right/left
Colour	white/silver/anthracite
Load capacity	32 kg
Interior width (LB)	860-971/960-1071 mm
Interior depth min. (LT)	500 mm
Interior height min. (LH)	540 mm

Links / Gauche / Left



Rechts / Droite / Right



TECHNICAL CHARACTERISTICS

- ▶ Sturdy pull-out with reliable movement and smooth running action
- ▶ Built-in Softclose mechanism ensures that the unit can be closed smoothly and silently
- ▶ Two height-adjustable shelves for flexible and adaptable storage
- ▶ High-quality and durable system
- ▶ Maintenance-free technology
- ▶ Makes maximum use of space even in narrow-fronted units (from 400 mm), as the back shelves remain inside the unit
- ▶ Tool-free 3D adjustment of the front panel and width adjustment of the back-wall frame
- ▶ Efficient mechanism assembly thanks to ClickFixx and detachable shelves



Corner pull-out Magic Corner Standard right

The corner pull-out with attached front panel supports the clip-on shelves and guides them out of the unit.

- Sturdy pull-out with reliable movement and smooth running action
- Built-in Softclose mechanism ensures that the unit can be closed smoothly and silently

Includes

- 1 back-wall frame with
- 1 guide plate
- 1 swivel frame with
- 1 front bracket and
- 1 swivel lever

Technical data

Compatible with: Magic Corner Standard
 Integrated Softclose: yes
 Integrated Softopen: no
 Assembly with ClickFixx: yes
 Load capacity: 32 kg
 Material: powder-coated sheet steel/
 plastic

Art. No.	Type	Swings out	Colour	Interior width (LB)	Interior depth min. (LT)	Interior height min. (LH)	Width (B)	Depth (T)	Height (H)
				mm	mm	mm	mm	mm	mm
300.0831.01	900	right	white	860-971	500	540	860-971	500	525
300.0831.12	900	right	silver	860-971	500	540	860-971	500	525
300.0831.43	900	right	anthracite	860-971	500	540	860-971	500	525
300.0817.01	1000	right	white	960-1071	500	540	960-1071	500	525
300.0817.12	1000	right	silver	960-1071	500	540	960-1071	500	525
300.0817.43	1000	right	anthracite	960-1071	500	540	960-1071	500	525



Corner pull-out Magic Corner Standard left

The corner pull-out with attached front panel supports the clip-on shelves and guides them out of the unit.

- Sturdy pull-out with reliable movement and smooth running action
- Built-in Softclose mechanism ensures that the unit can be closed smoothly and silently

Includes

- 1 back-wall frame with
- 1 guide plate
- 1 swivel frame with
- 1 front bracket and
- 1 swivel lever

Technical data

Compatible with: Magic Corner Standard
 Integrated Softclose: yes
 Integrated Softopen: no
 Assembly with ClickFixx: yes
 Load capacity: 32 kg
 Material: powder-coated sheet steel/
 plastic

Art. No.	Type	Swings out	Colour	Interior width (LB)	Interior depth min. (LT)	Interior height min. (LH)	Width (B)	Depth (T)	Height (H)
				mm	mm	mm	mm	mm	mm
300.0826.01	900	left	white	860-971	500	540	860-971	500	525
300.0826.12	900	left	silver	860-971	500	540	860-971	500	525
300.0826.43	900	left	anthracite	860-971	500	540	860-971	500	525
300.0814.01	1000	left	white	960-1071	500	540	960-1071	500	525
300.0814.12	1000	left	silver	960-1071	500	540	960-1071	500	525
300.0814.43	1000	left	anthracite	960-1071	500	540	960-1071	500	525



Softclose Magic Corner Standard

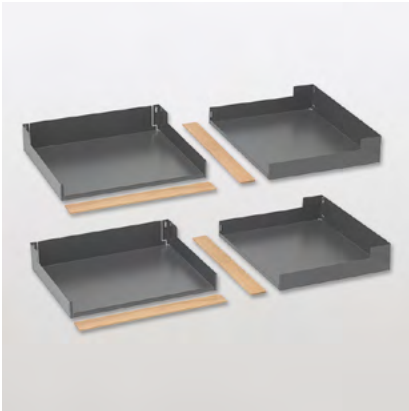
Softclose guides the front panel for the final part of the closing movement.

- Optional for heavy loads
- Cushions the closing movement
- For smooth and silent closing
- Can be retrofitted

Includes
1 Softclose

Technical data
Compatible with: Magic Corner Standard
Material: plastic

Art. No.	Colour	Width (B)	Depth (T)	Height (H)
		mm	mm	mm
300.0313.00	grey	195	16	35



Clip-on shelf set Fiore Magic Corner Standard

Thin-walled, extremely sturdy metal shelves with wooden rail inserts.

- The front shelves are height-adjustable, the back shelves can be pulled out
- Maximum use of space thanks to thin-walled yet extremely sturdy metal shelves
- Shelves can be easily removed for cleaning and clipped back in place
- Removable non-slip mats available as an option

Includes
4 clip-on shelves incl. rail inserts

Technical data
Compatible with: Magic Corner Standard
Design line: Fiore
Load capacity per shelf: 0-7/0-9 kg
Material: powder-coated sheet steel/
wood

Art. No.	Width of unit front min. (FB)	Colour	Width (B)	Depth (T)	Height (H)
	mm		mm	mm	mm
300.0988.43	400	anthracite, natural oak	470/260	380/470	55/90
300.0981.43	450	anthracite, natural oak	470/280	380/470	55/90
300.0983.43	550/600	anthracite, natural oak	470/280	380/470	55/90



Clip-on shelf set Liro Magic Corner Standard

Thin-walled but extremely sturdy metal shelves that can be combined with wooden rail inserts.

- Front shelves are height-adjustable
- Maximum use of space thanks to thin-walled yet extremely sturdy metal shelves
- Also available with wooden rail inserts for extra versatility
- Unique wood/white and wood/silver combinations

Includes
4 clip-on shelves

Technical data
Compatible with: Magic Corner Standard
Design line: Liro
Load capacity per shelf: 0-7/0-9 kg
Material: powder-coated sheet steel

Art. No.	Width of unit front min. (FB)	Colour	Width (B)	Depth (T)	Height (H)
	mm		mm	mm	mm
300.1113.01	400	white	470/260	380/470	55/90
300.1113.12	400	silver	470/260	380/470	55/90
300.1113.43	400	anthracite	470/260	380/470	55/90
300.1114.01	450	white	470/280	380/470	55/90
300.1114.12	450	silver	470/280	380/470	55/90
300.1114.43	450	anthracite	470/280	380/470	55/90
300.1115.01	500	white	470/330	380/470	55/90
300.1115.12	500	silver	470/330	380/470	55/90
300.1115.43	500	anthracite	470/330	380/470	55/90



Railing insert set Liro Magic Corner Standard

Insert the rail into the slot provided in the Liro shelf

- Solid oak rail inserts
- Optional addition to Liro shelves as a style variation
- Goes well with wooden unit fronts and warm colours
- Can be retrofitted without any need for tools

Includes
4 rail inserts

Technical data
Compatible with: clip-on shelf set Liro
Design line: Liro
Material: wood

Art. No.	Width of unit front min. (FB)	Colour	Width (B)	Depth (T)	Height (H)
	mm		mm	mm	mm
300.1120.36	400-500	natural oak	467	6	52
300.1120.66	400-500	stained oak	467	6	52



Clip-on shelf set Libell Magic Corner Standard

Thin-walled, extremely sturdy metal shelves.

- Front shelves are height-adjustable
- Maximum use of space thanks to thin-walled yet extremely sturdy metal shelves
- Shelves can be easily removed for cleaning and clipped back in place
- Removable non-slip mats available as an option

Includes
4 clip-on shelves

Technical data
Compatible with: Magic Corner Standard
Design line: Libell
Load capacity per shelf: 0-7/0-9 kg
Material: powder-coated sheet steel

Art. No.	Width of unit front min. (FB)	Colour	Width (B)	Depth (T)	Height (H)
	mm		mm	mm	mm
300.0695.01	400	white	470/260	390/470	92
300.0695.12	400	silver	470/260	390/470	92
300.0695.43	400	anthracite	470/260	390/470	92
300.0692.01	450	white	470/290	390/470	55/92
300.0692.12	450	silver	470/290	390/470	55/92
300.0692.43	450	anthracite	470/290	390/470	55/92
300.0694.01	550/600	white	470/390	390/470	55/92
300.0694.12	550/600	silver	470/390	390/470	55/92
300.0694.43	550/600	anthracite	470/390	390/470	55/92



Non-slip mat set Magic Corner Standard

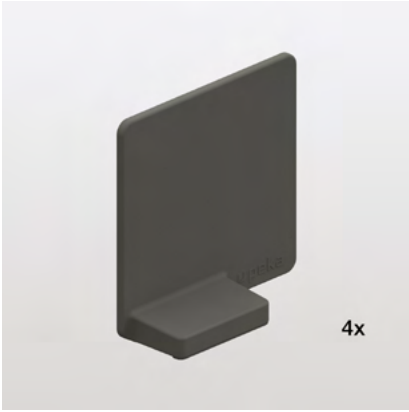
Lay the non-slip mat on the shelf to stabilise the stored items. To clean the mat, remove it from the shelf and rinse it under running water.

- Keeps items in place on the shelf
- Pleasant feel with a finely textured surface
- Reduces noise when items are stowed
- optional

Includes
4 non-slip mats

Technical data
Compatible with: clip-on shelf set Fiore/Liro/Libell
Material: silicone

Art. No.	Width of unit front min. (FB)	Colour	Width (B)	Depth (T)	Height (H)
	mm		mm	mm	mm
300.1102.57	400	oyster white	440/230	350/450	1
300.1102.56	400	walnut grey	440/230	350/450	1
300.1103.57	450	oyster white	440/240	350/440	1
300.1103.56	450	walnut grey	440/240	350/440	1
300.1104.57	500	oyster white	440/300	350/450	1
300.1104.56	500	walnut grey	440/300	350/450	1



Divider set magnetic

Position the dividers on the base or wall of a metal shelf as required.

- For dividing the shelf into compartments to suit users' needs
- Keeps items in place on the shelf
- Attaches magnetically to the base or the side wall of the metal shelf
- optional

Includes
4 dividers

Technical data
Material: plastic

Art. No.	Unit width min. (EB)	Colour	Width (B)	Depth (T)	Height (H)
	mm		mm	mm	mm
200.2543.51	150	white	77.5	25/3	76
200.2543.52	150	grey	77.5	25/3	76
200.2543.43	150	anthracite	77.5	25/3	76



Clip-on basket-Set Excellent Magic Corner Standard

Chrome-plated wire baskets.

- Front baskets are height-adjustable
- The baskets are easy to remove, making cleaning a piece of cake

Includes
4 clip-on baskets

Technical data
Compatible with: Magic Corner Standard
Design line: Excellent
Load capacity per shelf: 0-7/0-9 kg
Material: chrome-plated wire

Art. No.	Width of unit front min. (FB)	Colour	Width (B)	Depth (T)	Height (H)
	mm		mm	mm	mm
300.0307.05	400	chrome	270/470	470/390	80/85
300.0011.05	450	chrome	295/470	470/390	80/85
300.0613.05	550/600	chrome	390/470	470/390	80/85



Wall units

Maximum convenience, minimum effort. Smart movements and combined forces bring items stored in wall units within easy reach. Excellent access with a user-friendly system.

PRODUCT OVERVIEW



Pegasus

Wall unit lift system for Liro shelves, Libell shelves or custom wooden shelves/trays



Picanto

Wall unit full-extension runner for all applications



Spica

Clip-on shelf rail



Wall unit lift

Pegasus

Pegasus lowers shelves out of the wall unit to where you can see and reach them and then moves them back again, with a motion support system in both directions.

With the Pegasus lift system, you can bring the shelves in your wall unit down to your level, so that even contents stored high up in the cabinet are easy to see and reach. The lift's built-in brake and soft-swinging mechanism ensure that it moves smoothly and effortlessly.

This makes Pegasus an ideal addition to barrier-free homes.

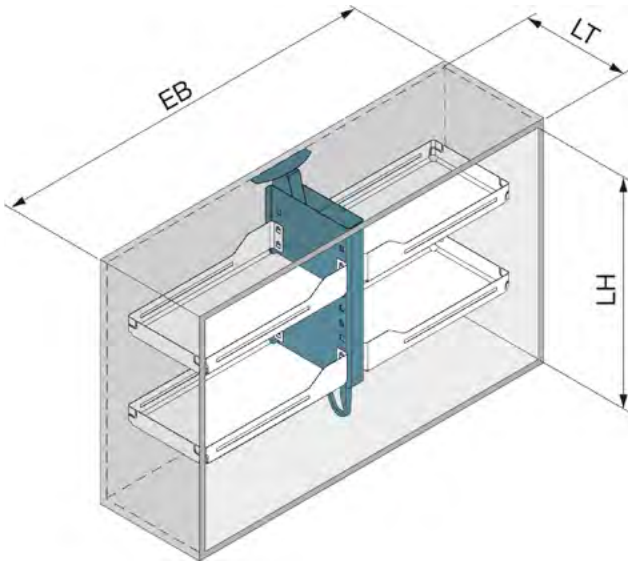
You can use Pegasus with peka's Liro or Libell shelves (in two different widths) or design and attach your own shelves. The shelves can be positioned at any height and the base of the unit remains free even when the mechanism is in use.



FEATURES AND BENEFITS

- + Swings wall-unit shelves down and forward
- + Good overview and quick access to the upper part of the unit
- + Built-in Softopen and Softclose mechanisms ensure smooth movement
- + The base of the unit under the mechanism can be used as normal
- + Suitable for barrier-free homes
- + Shelves can be easily removed for cleaning and clipped back in place
- + Can be retrofitted

TECHNICAL DATA



Design line	Liro/Libell
Barrier-free	yes
Integrated Softclose	yes
Integrated Softopen	yes
Type	1/2
Unit width (EB)	900/1200 mm
Colour	silver/white/anthracite
Load capacity	0-12/10-20 kg
Interior depth (LT)	285-330 mm
Interior height (LH)	660-946 mm

TECHNICAL CHARACTERISTICS

- ▶ Power of lift system can be tailored to load weight: 0-12 kg (Type 1) or 10-20 kg (Type 2)
- ▶ Clip-on shelves can be positioned as required
- ▶ Built-in Softopen and Softclose mechanisms ensure that the unit can be opened and closed smoothly
- ▶ Shelf support enables use with a range of unit widths for a custom design
- ▶ Compatible with hinges and flap fittings
- ▶ Mounted centrally on base and top, making it suitable for all unit widths
- ▶ Quick and easy to fit, with no adjustment required
- ▶ 1200 type: two units can be used with a single mechanism



Wall unit lift Pegasus Liro

The wall unit lift lowers clip-on shelves out of the cabinet to within easy reach and then returns them to the unit.

- No adjustment necessary
- Suitable for use alongside FREEswing
- Telescopic pull-out mechanism for all interior unit heights between 660 and 946 mm

Includes
1 mechanism with 1 handle

Technical data
Compatible with: Pegasus
Integrated Softclose: yes
Integrated Softopen: yes
Assembly with ClickFixx: no
Material: powder-coated sheet steel

Art. No.	Type	Colour	Load capacity	Interior depth (LT)	Interior height (LH)	Width (B)	Depth (T)	Height (H)
			kg	mm	mm	mm	mm	mm
500.0351.01	1	white	0-12	285-330	660-946	190	282	660-946
500.0351.12	1	silver	0-12	285-330	660-946	190	282	660-946
500.0351.43	1	anthracite	0-12	285-330	660-946	190	282	660-946
500.0352.01	2	white	10-20	285-330	660-946	190	282	660-946
500.0352.12	2	silver	10-20	285-330	660-946	190	282	660-946
500.0352.43	2	anthracite	10-20	285-330	660-946	190	282	660-946



Clip-on shelf set Liro Pegasus

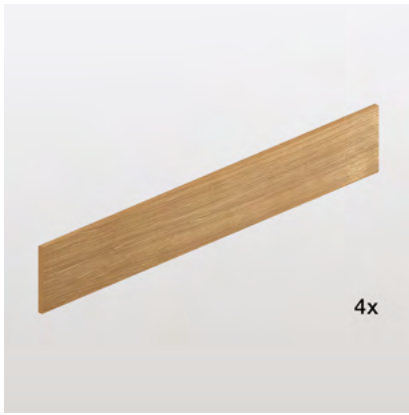
Thin-walled but extremely sturdy metal shelves that can be combined with wooden rail inserts.

- Maximum use of space thanks to thin-walled yet extremely sturdy metal shelves
- Also available with wooden rail inserts for extra versatility
- Unique wood/white and wood/silver combinations
- Removable non-slip silicone mats available as an option

Includes
4 clip-on shelves

Technical data
Compatible with: Pegasus Liro
Design line: Liro
Assembly with ClickFixx: yes
Load capacity per shelf: 0-5 kg
Material: powder-coated sheet steel

Art. No.	Unit width (EB)	Colour	Width (B)	Depth (T)	Height (H)
	mm		mm	mm	mm
500.0353.01	900	white	355/355	267/267	90
500.0353.12	900	silver	355/355	267/267	90
500.0353.43	900	anthracite	355/355	267/267	90
500.0354.01	1200	white	505/505	267/267	90
500.0354.12	1200	silver	505/505	267/267	90
500.0354.43	1200	anthracite	505/505	267/267	90



Railing insert set Liro Pegasus

Insert the rail into the slot provided in the Liro shelf

- Solid oak rail inserts
- Optional addition to Liro shelves as a style variation
- Goes well with wooden unit fronts and warm colours
- Can be retrofitted without any need for tools

Includes
4 rail inserts

Technical data
Compatible with: clip-on shelf set Liro
Design line: Liro
Assembly with ClickFixx: yes
Material: wood

Art. No.	Unit width (EB)	Colour	Width (B)	Depth (T)	Height (H)
	mm		mm	mm	mm
500.0355.36	900	natural oak	351/351	6/6	87
500.0355.66	900	stained oak	351/351	6/6	87
500.0356.36	1200	natural oak	501/501	6/6	87
500.0356.66	1200	stained oak	501/501	6/6	87



Wall unit lift Pegasus Libell

The wall unit lift lowers clip-on shelves out of the cabinet to within easy reach and then returns them to the unit.

- No adjustment necessary
- Suitable for use alongside FREEswing
- Telescopic pull-out mechanism for all interior unit heights between 660 and 946 mm

Includes
1 mechanism with 1 handle

Technical data
Compatible with: Pegasus
Integrated Softclose: yes
Integrated Softopen: yes
Assembly with ClickFixx: no
Material: powder-coated sheet steel

Art. No.	Type	Colour	Load capacity	Interior depth (LT)	Interior height (LH)	Width (B)	Depth (T)	Height (H)
			kg	mm	mm	mm	mm	mm
500.0183.01	1	white	0-12	285-330	660-946	190	282	660-946
500.0183.43	1	anthracite	0-12	285-330	660-946	190	282	660-946
500.0184.01	2	white	10-20	285-330	660-946	190	282	660-946
500.0184.43	2	anthracite	10-20	285-330	660-946	190	282	660-946



Clip-on shelf set Libell Pegasus

Thin-walled, extremely sturdy metal shelves.

- Maximum use of space thanks to thin-walled yet extremely sturdy metal shelves
- Removable non-slip mats available as an option

Includes
4 clip-on shelves

Technical data
Compatible with: Pegasus Libell,
Pegasus Liro
Design line: Libell
Load capacity per shelf: 0-5 kg
Material: powder-coated sheet steel

Art. No.	Unit width (EB)	Colour	Width (B)	Depth (T)	Height (H)
	mm		mm	mm	mm
500.0185.01	900	white	355/355	267/267	92
500.0185.43	900	anthracite	355/355	267/267	92
500.0187.01	1200	white	505/505	267/267	92
500.0187.43	1200	anthracite	505/505	267/267	92



Non-slip mat set Pegasus

Lay the non-slip mat on the shelf to stabilise the stored items. To clean the mat, remove it from the shelf and rinse it under running water.

- Keeps items in place on the shelf
- Pleasant feel with a finely textured surface
- Reduces noise when items are stowed
- optional

Includes
4 non-slip mats

Technical data
Compatible with: clip-on shelf set Liro/
Libell
Material: silicone

Art. No.	Unit width (EB)	Colour	Width (B)	Depth (T)	Height (H)
	mm		mm	mm	mm
500.0340.57	900	oyster white	325/325	240/240	1
500.0340.56	900	walnut grey	325/325	240/240	1
500.0341.57	1200	oyster white	465/465	230/230	1
500.0341.56	1200	walnut grey	465/465	230/230	1



Shelf support for individual clip-on components Pegasus

The optional shelf support connects the lift mechanism with custom-made wooden shelves.

- For individual tray widths
- Customisable clip-on components (e.g. wood, to match Fiore)
- Maximum height of clip-on components: 105 mm

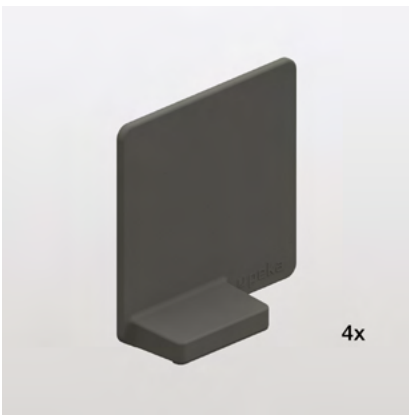
Includes

1 shelf support for individual clip-on components

Technical data

Compatible with: Pegasus
Load capacity per shelf: 0-5 kg
Material: powder-coated sheet steel

Art. No.	Unit width (EB)	Colour	Width (B)	Depth (T)	Height (H)
	mm		mm	mm	mm
500.0188.01	600-1200	white	25	246	83
500.0188.43	600-1200	anthracite	25	246	83



Divider set magnetic

Position the dividers on the base or wall of a metal shelf as required.

- For dividing the shelf into compartments to suit users' needs
- Keeps items in place on the shelf
- Attaches magnetically to the base or the side wall of the metal shelf
- optional

Includes
4 dividers

Technical data
Material: plastic

Art. No.	Unit width min. (EB)	Colour	Width (B)	Depth (T)	Height (H)
	mm		mm	mm	mm
200.2543.51	150	white	77.5	25/3	76
200.2543.52	150	grey	77.5	25/3	76
200.2543.43	150	anthracite	77.5	25/3	76



Wall unit pull-out Picanto

Pull on the front to bring the contents right out of the unit.

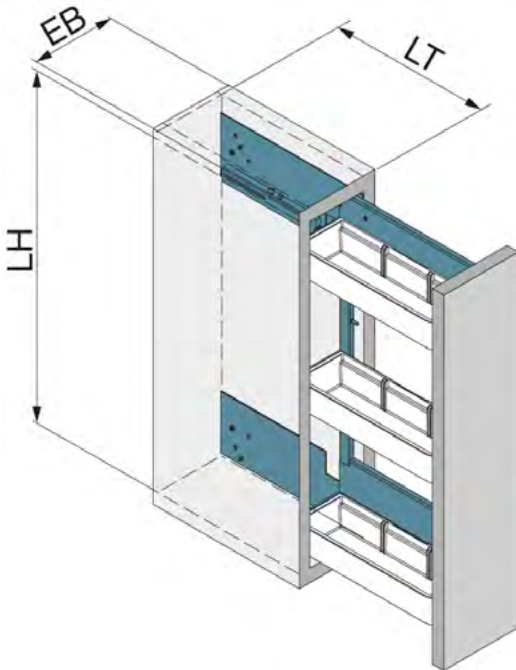
Finally, a well-ordered wall unit! The Picanto full-extension runner saves you having to rummage about among small bottles and packets. With a single movement, you can pull out the entire contents in front of the unit, giving you a full overview and easy access. The three clip-on trays made of impact-resistant polycarbonate can be partitioned off with dividers and positioned at any height. Order is guaranteed! Picanto can be used for all sorts of purposes, including as a bathroom cabinet, a pull-out spice rack or for storing your cleaning equipment.



FEATURES AND BENEFITS

- + Fully extendable for easy access
- + Transparent trays provide a clear overview
- + Height-adjustable trays and freely positionable dividers allow flexible use of space
- + Very sturdy clip-on trays made from impact-resistant polycarbonate
- + Additional clip-on trays and dividers available as an option
- + Applications: kitchens, bathrooms

TECHNICAL DATA



Design line	plastic
Barrier-free	no
Integrated Softclose	yes
Integrated Softopen	no
Unit width (EB)	150/275/300 mm
Colour	silver
Interior width min. (LB)	112/243 mm
Interior depth min. (LT)	290 mm
Interior height min. (LH)	600 mm

TECHNICAL CHARACTERISTICS

- ▶ Built-in Softclose mechanism ensures that the unit can be closed smoothly and silently
- ▶ May be installed on the right or left
- ▶ Can be retrofitted anywhere at any time



Wall unit pull-out Picanto

Pull on the front to bring the contents right out of the unit.

Includes

1 pull-out system with 2 front brackets
 3 transparent clip-on trays,
 2 dividers
 1 assembly material

Technical data

Design line: plastic
 Integrated Softclose: yes
 Integrated Softopen: no
 Assembly with ClickFixx: no
 Material: powder-coated sheet steel/
 plastic

Art. No.	Unit width (EB)	Colour	Load capacity per shelf	Interior width min. (LB)	Interior depth min. (LT)	Interior height min. (LH)	Width (B)	Depth (T)	Height (H)
	mm		kg	mm	mm	mm	mm	mm	mm
500.0095.12	150	silver	0-1	112	290	600	110	285	590
500.0094.12	275/300	silver	0-2	243	290	600	240	285	590



Shelf rail

Spica

Insert the plastic plugs into the drilled holes on both sides and clip in the rail.

A simple system that can save you a lot of bother, the Spica shelf rail is inserted into holes drilled in the required position above the shelf and will stop the contents of the wall unit from falling out.

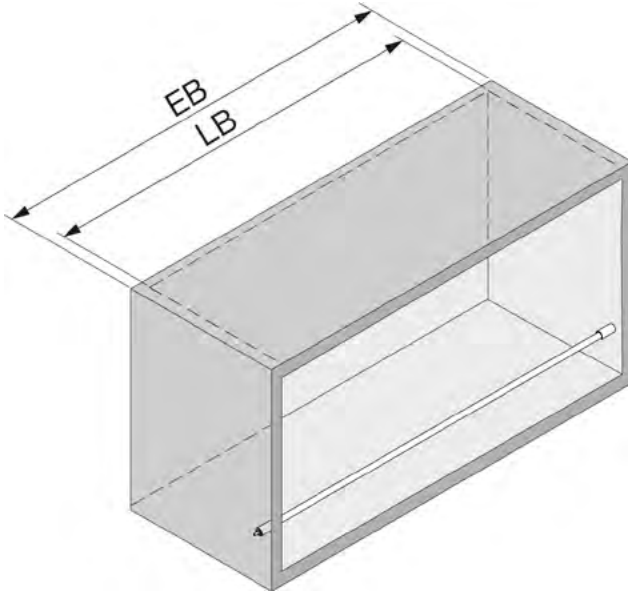
Spica works particularly well in spice cupboards and bathroom cabinets but will also protect heavier items such as cups or pots.



FEATURES AND BENEFITS

- + Keeps contents in place on the shelf
- + Can be positioned at any height above the shelf
- + Applications: kitchens, bathrooms

TECHNICAL DATA



Barrier-free	no
Unit width (EB)	550/600/900 mm
Colour	chrome
Interior width (LB)	512-518/562-568/862-868 mm

TECHNICAL CHARACTERISTICS

- ▶ Quick and easy to install
- ▶ Can be retrofitted in wall units by drilling 3-mm-diameter holes
- ▶ Available in three lengths for standard units widths of 550, 600 and 900 mm
- ▶ 6-mm width tolerance as plastic plugs and rail are not connected



Shelf rail Spica

Insert the plastic plugs into the drilled holes on both sides and clip in the rail.

Includes
 1 shelf rail
 2 plastic plugs

Technical data
 Material: powder-coated sheet steel

Art. No.	Unit width (EB)	Colour	Interior width (LB)	Width (B)	Depth (T)	Height (H)
	mm		mm	mm	mm	mm
500.0234.05	550	chrome	512-518	512-518	7	7
500.0235.05	600	chrome	562-568	562-568	7	7
500.0236.05	900	chrome	862-868	862-868	7	7



Housekeeping

Bring order to your cleaning cupboard. A clear overview, good organisation and, above all, quick access are vital when you are cleaning. A clean, organised home, from the kitchen out.

PRODUCT OVERVIEW



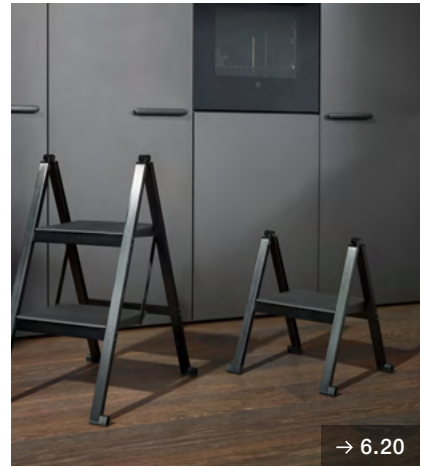
Sesam Standard

Multi-purpose shelf system with organisational aids that can be moved around for flexible use in any space



Sesam Bag

Compact recycling station



Stepolo

Unfold the stool to use it.



Cleaning cupboard accessories

A helping hand for cleaning cupboards and housekeeping items.

DESIGN IDEAS



Unit width: 600 mm
Unit height: 2100 mm

Sesam Standard broom cupboard shelving system

Shelf system for storing cleaning equipment

Sesam Bag recycling station

Space for up to three bags for collecting recyclables

Sesam hose holder

Included with Sesam Standard

Tablo Libell shelf

Versatile shelf for extra storage

Dustpan and brush holder

Space-saving storage solution for any kind of dustpan and brush

Unit width: 450 mm
Unit height: 2100 mm

Libell broom holder

Handy metal broom holder that is great for storing most kinds of brooms and brushes

Tablo Libell shelf

Versatile shelf for extra storage

Sesam Bag recycling station

Space for up to three bags for collecting recyclables

Dustpan and brush holder

Space-saving storage solution for any kind of dustpan and brush



DESIGN IDEAS

Unit width: 550 mm
Unit height: 2100 mm



Libell broom holder

Handy metal broom holder that is great for storing most kinds of brooms and brushes

Sesam Standard broom cupboard shelving system

Shelf system for storing cleaning equipment

Tablo Libell shelf

Versatile shelf for extra storage

Unit width: 450 mm
Unit height: 2100 mm



Tablo Libell shelf

Versatile extra shelf with a handy hook for e.g. holding a vacuum hose

Sesam Mini multi-purpose shelf

Compact clip-on shelf that is perfect for the inside wall of a unit or the back of a door

Sesam Bag recycling station

Space for up to three bags for collecting recyclables

All peka housekeeping products can alternatively be screwed to a regular wall.



Cleaning cupboard shelving system Sesam Standard

Screw the metal base inside a cupboard or on a wall and position the organisational aids to suit your needs.

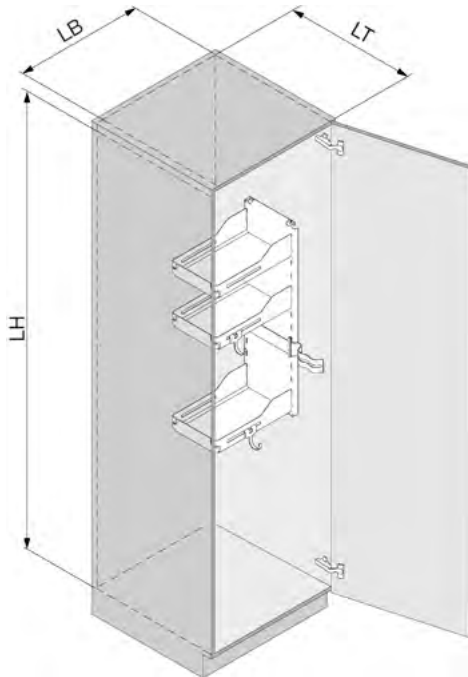
With its height-adjustable clip-on components, Sesam Standard will organise whatever you choose to keep in it. The three metal shelves have closed bases to prevent objects from toppling over or falling through. Even so, they are easy to clean thanks to their rounded corners and edges. Flexibly positionable clip-on hooks let you make full use of the storage space between the shelves while the hose holder keeps vacuum cleaner hoses in place. When mounted in a cupboard, Sesam Standard leaves plenty of space around it for other items such as an ironing board.



FEATURES AND BENEFITS

- + Versatile shelf system for flexible use in any space
- + All components are height-adjustable without tools and can be positioned as required
- + Ideal as a cleaning cupboard organiser, offering plenty of storage space and various additional features: hooks for cleaning buckets, a vacuum hose holder, free space for an ironing board and clothes airer
- + Closed shelf bases stop bottles from toppling and small items from falling through
- + The shelves' smooth surface and rounded corners and edges make them easy to clean
- + Can be combined with all peka housekeeping products
- + The shelves remain fully accessible as the vacuum hose is clipped neatly in place on one side
- + Simple design to match any style
- + Shelves can be detached when required but are prevented from coming loose accidentally

TECHNICAL DATA



Design line	Libell
Barrier-free	no
Colour	white/silver/anthracite
Load capacity	0-15 kg
Interior width min. (LB)	370 mm
Interior depth min. (LT)	430 mm
Interior height min. (LH)	800 mm

TECHNICAL CHARACTERISTICS

- ▶ Quick and easy to install with just 4 screws
- ▶ Can be retrofitted anywhere at any time
- ▶ Universal mechanism that can be fitted on the left or right
- ▶ The folded metal shelves are extremely robust
- ▶ When used as a cupboard shelf system, Sesam Standard can be completely pre-assembled in the workshop



Cleaning cupboard shelving system Sesam Standard

Screw the metal base inside a cupboard or on a wall and position the organisational aids to suit your needs.

Includes

- 1 cleaning cupboard shelving system with 3 clip-on shelves
- 1 hose holder
- 2 clip-on hooks
- 1 assembly material

Technical data

- Design line: Libell
- Load capacity: 0-15 kg
- Load capacity per shelf: 0-5 kg
- Material: powder-coated sheet steel

Art. No.	Colour	Interior width min. (LB)	Interior depth min. (LT)	Interior height min. (LH)	Width (B)	Depth (T)	Height (H)
		mm	mm	mm	mm	mm	mm
600.0356.01	white	370	430	800	350	230/365	750
600.0356.12	silver	370	430	800	350	230/365	750
600.0356.43	anthracite	370	430	800	350	230/365	750



S-hook Sesam Libell

Clip the hook into the slot – no tools required.

- Suitable for Sesam Libell cleaning cupboard products
- optional
- Tool-free assembly
- Can be retrofitted

Includes

- 1 clip-on hook

Technical data

- Compatible with: Tablo Libell, Broom holder Libell, Sesam Mini, Sesam Standard
- Design line: Libell
- Material: powder-coated sheet steel

Art. No.	Colour	Width (B)	Depth (T)	Height (H)
		mm	mm	mm
600.0359.01	white	50	48	88
600.0359.12	silver	50	48	88
600.0359.43	anthracite	50	48	88



Recycling station

Sesam Bag

Screwed to the wall, this sheet-steel storage solution allows three full recycling bags to be stowed one on top of the other.

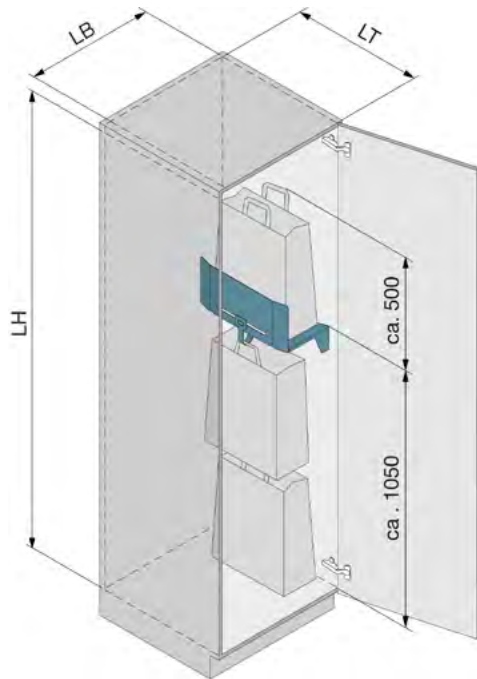
Sesam Bag lets you store recyclables such as plastic, cardboard, glass or aluminium cans in the smallest of spaces. Screwed to the wall, this simple piece of sheet steel creates enough room to store three standard carrier bags one above the other: one on top of the shelf, one hanging below the shelf and one on the unit floor. When full, the bags can be taken to the collection point without having to empty them into another container. Cleaning is easy: just wipe the shelf with a cloth. And since it makes excellent use of vertical space, this home recycling station fits into cleaning cupboards too. Not only that but Sesam Bag is ideal for other uses as well, including as a compact hall stand or as a towel rail with storage shelf.



FEATURES AND BENEFITS

- + Compact metal shelf for storing three recycling bags: one on the shelf, one hanging from the shelf and another on the unit floor
- + Rather than having to clean three bins, simply dispose of the dirty bags and wipe the shelf
- + All the bags are stored open, making them easy to fill
- + Suitable for all standard carrier bags
- + Shelf-with-hooks design can be used for many other purposes
- + Can be combined with all peka housekeeping products

TECHNICAL DATA



Barrier-free	no
Colour	white/silver/anthracite
Load capacity	0-20 kg
Interior width min. (LB)	205 mm
Interior depth min. (LT)	385 mm
Interior height min. (LH)	1550 mm

TECHNICAL CHARACTERISTICS

- ▶ Quick and easy to install with just 4 screws
- ▶ Can be installed in a unit or on a wall and can be retrofitted at any time
- ▶ Made from a single piece of sheet steel with several folds for added strength



Recycling station Sesam Bag

Screwed to the wall, this sheet-steel storage solution allows three full recycling bags to be stowed one on top of the other.

Includes

- 1 shelf with 3 fixed hooks
- 1 external clip-on hook
- 1 assembly material

Technical data

- Load capacity: 0-20 kg
- Material: powder-coated sheet steel

Art. No.	Colour	Interior width min. (LB)	Interior depth min. (LT)	Interior height min. (LH)	Width (B)	Depth (T)	Height (H)
		mm	mm	mm	mm	mm	mm
600.0430.01	white	205	385	1550	192	380	249
600.0430.12	silver	205	385	1550	192	380	249
600.0430.43	anthracite	205	385	1550	192	380	249



Stool Stepolo

Unfold the stool to use it.

With Stepolo, you can safely reach higher-up objects in your home. The one or two-step stool made of anodised aluminium is sturdy yet elegant. Stepolo can be folded flat and comes with a mounting bracket allowing it to be stowed away when not in use.



FEATURES AND BENEFITS

- + Sturdy yet elegant design based on anodised aluminium
- + Simply unfold to use and fold down flat again after use
- + Comes with a bracket allowing it to be stowed away neatly
- + Non-slip feet provide enhanced stability

TECHNICAL CHARACTERISTICS

- ▶ High load capacity of 150 kg
- ▶ Can be retrofitted

TECHNICAL DATA

Barrier-free	no
Type	1/2
Colour	black aluminium
Load capacity	0-150 kg
Interior width min. (LB)	420/433 mm
Interior depth min. (LT)	80/495 mm
Interior height min. (LH)	39/810 mm

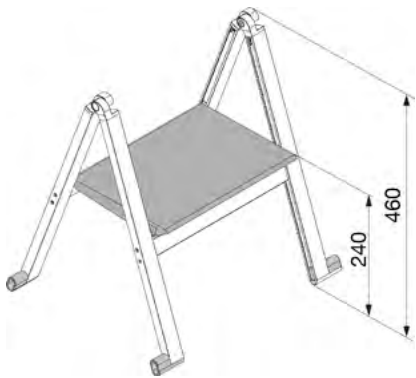


Illustration: type 1

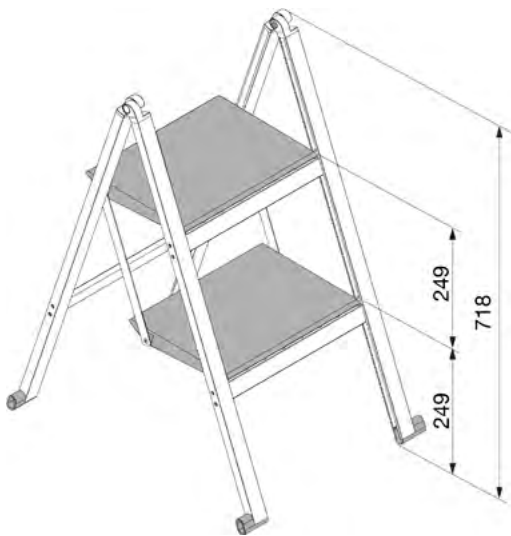
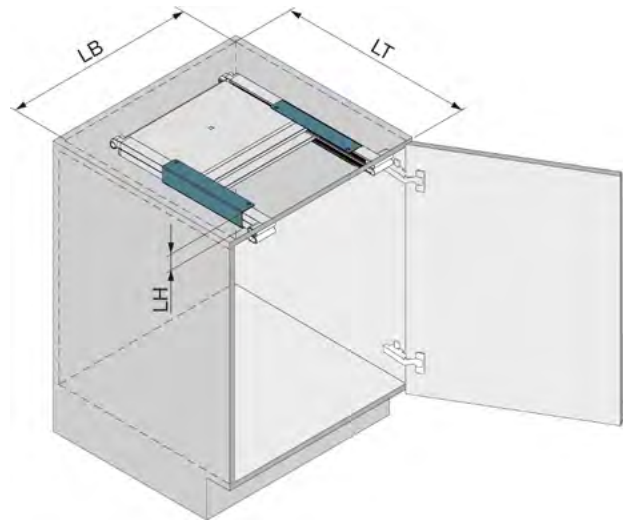
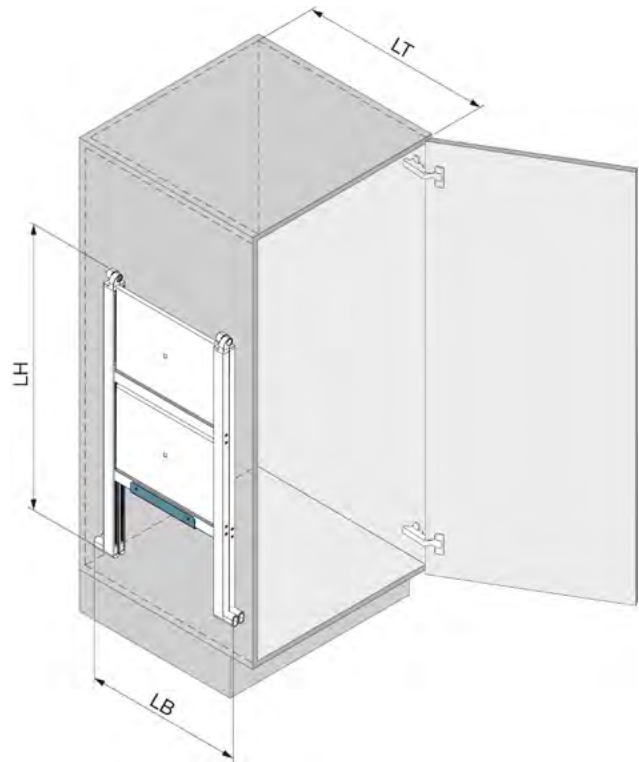


Illustration: type 2





One-step stepladder Stepolo

Pull the stool out of the bracket and unfold.

- 240 mm height of step
- The bracket is easy to install under a shelf or work surface

Includes

1 one-step stepladder
 1 mounting bracket for mounting under a shelf
 1 assembly material

Technical data

Load capacity: 0-150 kg
 Material: aluminium

Art. No.	Type	Colour	Interior width min. (LB)	Interior depth min. (LT)	Interior height min. (LH)	Width (B)	Depth (T)	Height (H)
			mm	mm	mm	mm	mm	mm
600.0339.37	1	black aluminium	433	495	39	418	490	39/490



Two-step stepladder Stepolo

Lift the stool off the bracket and unfold.

- Total step height: 498 mm (2 x 249 mm)
- The bracket is easy to install on a wall or inside a unit

Includes

1 two-step stepladder
 1 wall bracket
 1 assembly material

Technical data

Load capacity: 0-150 kg
 Material: aluminium

Art. No.	Type	Colour	Interior width min. (LB)	Interior depth min. (LT)	Interior height min. (LH)	Width (B)	Depth (T)	Height (H)
			mm	mm	mm	mm	mm	mm
600.0340.37	2	black aluminium	420	80	810	418	37	768



Cleaning cupboard accessories

A helping hand for cleaning cupboards and
housekeeping items.

With handy pull-out shelves and trays, you can transform any cupboard into a practical cleaning cupboard. Whether you are looking to store small items like cleaning products, cloths and sponges or larger items like an ironing board, brooms and a vacuum cleaner, we have the right solution for you. Our systems store everything you need where you can see it and reach it easily at all times.



Dustpan and brush holder

A space-saving storage solution for a dustpan and brush

- + Always to hand: the simple, practical holder can be used to store any kind of dustpan and brush
- + Great for storing bottles, cleaning products, and other items too
- + Made from one piece of sheet steel for added strength
- + Wide range of uses throughout the home



Hang storage component Tablo Libell

A versatile storage unit that can be hung on walls or the inside of a cupboard door

- + Shelf can be positioned anywhere: inside a unit, on a cupboard door or on a wall
- + Quick and direct access to small items
- + Closed shelf base stops items from toppling or falling through
- + Made from one piece of sheet steel for added strength



Multi-purpose shelf Sesam Mini

Screw-on shelf system with shelves and hooks that can be positioned as required

- + Can be fitted in any unit, perfect for hanging and storing small items
- + Very sturdy, all-metal design
- + Height-adjustable trays and freely positionable hooks allow flexible use of space
- + Closed shelf bases stop items from toppling or falling through



Wall-mounted hook rail Libell

Classic metal rail with six hooks for use anywhere in the home

- + Rail with 6 fixed hooks
- + Made from one piece of sheet steel for added strength
- + Wide range of uses throughout the home
- + Can be combined with all peka housekeeping products



Broom holder Libell

Screw-on metal broom holder with clip-on hooks

- + Suitable for brooms and vacuum cleaner floor nozzles
- + Made from one piece of sheet steel for added strength
- + Includes two freely positionable hooks for dustpan and brush, cloths or buckets
- + Can be combined with all peka housekeeping products



Vacuum cleaner hose holder with shelf Excellent

Compact holder for the vacuum cleaner hose, with space for additional accessories

- + Well-organised vacuum cleaner accessories for a tidier cleaning cupboard
- + A space-efficient way to store the vacuum cleaner hose
- + Shelf for floor nozzle or accessories makes efficient use of available space
- ▶ Quick and easy to install with just 2 screws



Cleaning cupboard shelving system Excellent

Space-efficient shelves for organising vacuum cleaner accessories

- + Well-organised vacuum cleaner accessories for a tidier cleaning cupboard
- + A space-efficient way to store the vacuum cleaner hose
- + Shelves for floor nozzles and accessories make efficient use of available space
- ▶ Quick and easy to install with just 4 screws



Dustpan and brush holder

Fix the holder in place with two screws

- Quick to install with 2 screws (included)
- Can be retrofitted

Includes
1 dustpan and brush holder
1 assembly material

Technical data
Compatible with: Müllboy Standard,
Müllboy Big
Material: powder-coated sheet steel

Art. No.	Colour	Width (B)	Depth (T)	Height (H)
		mm	mm	mm
200.2274.01	white	238	80	77/122
200.2274.12	silver	238	80	77/122
200.2274.43	anthracite	238	80	77/122



Hang storage component Tablo Libell

Screw to the inside of a cupboard door, inside a unit or on a wall.

Includes
1 storage unit
1 assembly material

Technical data
Design line: Libell
Load capacity: 0-3 kg
Material: powder-coated sheet steel

Art. No.	Width of unit front (FB)	Colour	Interior width min. (LB)	Interior depth min. (LT)	Interior height min. (LH)	Width (B)	Depth (T)	Height (H)
	mm		mm	mm	mm			
600.0426.01	500	white	434/161	161/392	66	388	161	58
600.0426.12	500	silver	434/161	161/392	66	388	161	58
600.0426.43	500	anthracite	434/161	161/392	66	388	161	58



Multi-purpose shelf Sesam Mini

Screw the metal base inside a cupboard or onto a cupboard door, and attach the shelves and hooks to suit your needs.

- Modular system, so the shelves are height-adjustable

Includes
1 shelf system
2 clip-on shelves
2 clip-on hooks
1 assembly material

Technical data
Compatible with: Müllboy Standard,
Müllboy Big
Design line: Libell
Load capacity: 0-10 kg
Load capacity per shelf: 0-5 kg
Material: powder-coated sheet steel

Art. No.	Colour	Interior width min. (LB)	Interior depth min. (LT)	Interior height min. (LH)	Width (B)	Depth (T)	Height (H)
		mm	mm	mm			
600.0380.01	white	200/450	350/200	500	121	278	434
600.0380.12	silver	200/450	350/200	500	121	278	434
600.0380.43	anthracite	200/450	350/200	500	121	278	434



Wall-mounted hook rail Libell

Mount the hook rail in a unit, on the inside of a cupboard door or on a wall with two screws.

- Quick to install with 2 screws

Includes
 1 hook rail
 1 assembly material

Technical data
 Design line: Libell
 Number of hooks: 6 pcs
 Material: powder-coated sheet steel

Art. No.	Colour	Width (B)	Depth (T)	Height (H)
		mm	mm	mm
600.0361.01	white	44	360	54
600.0361.12	silver	44	360	54
600.0361.43	anthracite	44	360	54



Broom holder Libell

Mount the broom holder in a unit, on the inside of a cupboard door or on a wall with two screws and position the hooks as required.

Includes
 1 broom holder
 2 clip-on hooks
 1 assembly material

Technical data
 Design line: Libell
 Load capacity: 0-5 kg
 Material: powder-coated sheet steel

Art. No.	Colour	Width (B)	Depth (T)	Height (H)
		mm	mm	mm
600.0360.01	white	75/119	330	85
600.0360.12	silver	75/119	330	85
600.0360.43	anthracite	75/119	330	85



Cleaning cupboard shelving system Excellent

Place the vacuum hose over the arched frame and secure it at the side, and store nozzles on the shelves.

Includes
 1 cleaning cupboard shelving system

Technical data
 Design line: Excellent
 Material: chrome-plated wire

Art. No.	Colour	Interior width min. (LB)	Interior depth min. (LT)	Interior height min. (LH)	Width (B)	Depth (T)	Height (H)
		mm	mm	mm	mm	mm	mm
600.0085.05	chrome	490	133	815	390	83	765



Vacuum cleaner hose holder with shelf Excellent

Place the vacuum hose over the arched frame, and store nozzles and other accessories on the shelves.

Includes
1 hose holder with shelf

Technical data
Design line: Excellent
Material: chrome-plated wire

Art. No.	Colour	Interior width min. (LB)	Interior depth min. (LT)	Interior height min. (LH)	Width (B)	Depth (T)	Height (H)
		mm	mm	mm	mm	mm	mm
600.0145.05	chrome	410	128	274	310	78	224

A photograph of a modern wardrobe corner. The walls are made of light-colored wood. A wooden jewelry tray is mounted on the wall, containing two black cylindrical containers, a gold bracelet, a pair of sunglasses, and a string of pearls. Below the tray is a grey metal hanging bar with several grey hangers. A dark blue suit jacket, a white shirt, a black shirt, and a striped shirt are hanging from the hangers.

Dressing

Elegant simplicity from the living area to the dressing room. All of your favourite items should be stored carefully and stylishly. Tasteful organisational aids can help you arrange your living room units and wardrobe and give you a clear overview of their contents. A place for everything, and everything in its place!

PRODUCT OVERVIEW



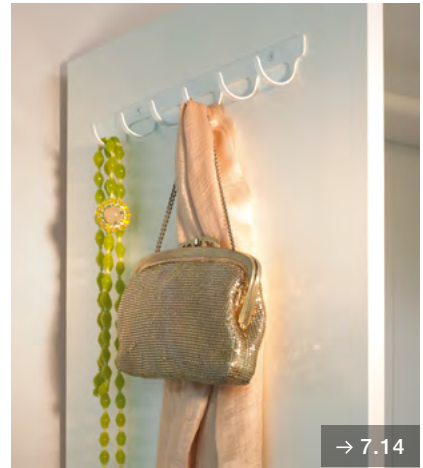
Lina

Trouser rack with cleverly-designed hangers



Shoe racks

A well-ordered shoe cabinet



Dressing room accessories

Careful and stylish storage and overview for your wardrobe



Trouser rack

Lina

Trouser rack with cleverly-designed hangers

Lina is a winning combination, with its rack for crease-free trousers and its flexible use of hangers. The hangers can be removed from the rack individually, so you can arrange your trousers on the hanger outside the wardrobe without getting them wrinkled. To make things even easier, the cleverly-designed hangers can even be hung backwards on the front of the shelf. Lina has room for up to 18 pairs of trousers, with custom widths accommodating even more.



Trouser rail set Lina Standard

Trouser rack with cleverly-designed hangers and shelf

- + Beautifully designed and highly stable Libell metal shelf for storing accessories
- + Cleverly-designed hangers make it easier to hang up trousers
- + Makes the most of the available space as the hangers can be positioned individually
- + Space for up to 15 pairs of trousers



Trouser rail set Lina Basic

Trouser rack with cleverly-designed hangers for mounting under a shelf

- + Cleverly-designed hangers make it easier to hang up trousers
- + Makes the most of the available space as the hangers can be positioned individually
- + Space for up to 18 pairs of trousers
- + End pieces prevent the hangers from sliding off at either end



Trouser rail Lina Basic custom width

Trouser rack with cleverly-designed hangers for mounting under a shelf

- + Made-to-measure trouser rack using the entire width of the wardrobe
- + Cleverly-designed hangers make it easier to hang up trousers
- + Makes the most of the available space as the hangers can be positioned individually
- + End pieces prevent the hangers from sliding off at either end

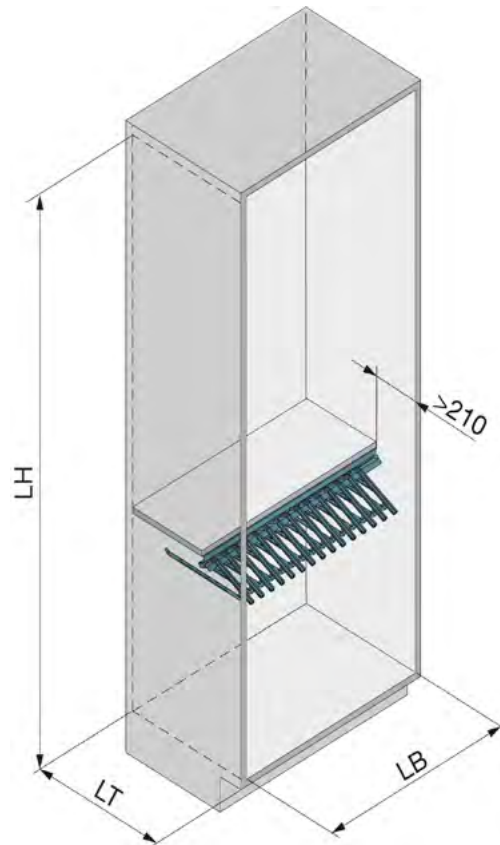
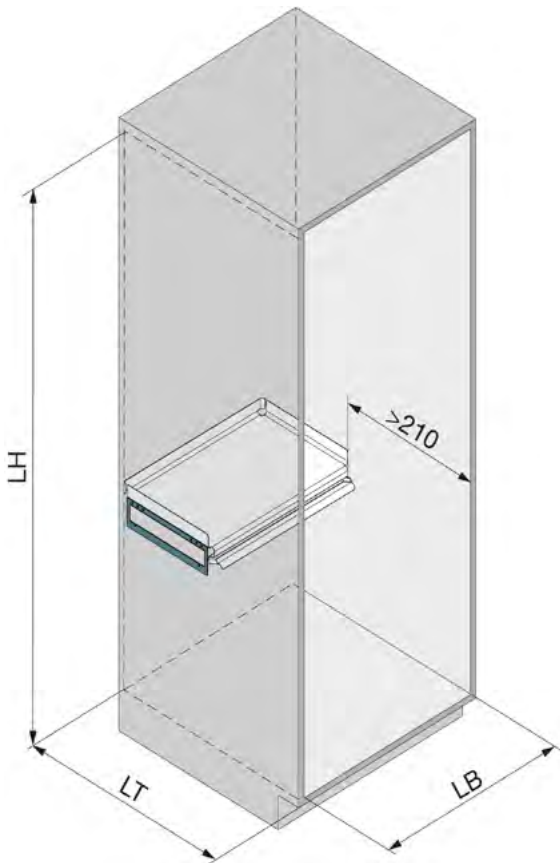
TECHNICAL DATA

LINA STANDARD

Design line	Libell
Barrier-free	yes
Colour	white/silver/anthracite
Load capacity	0-15 kg
Minimum interior width (LB)	445 mm
Minimum interior depth (LT)	530 mm
Minimum interior height (LH)	1030 mm

LINA BASIC

Design line	Libell
Barrier-free	yes
Unit width (EB)	500/800/1000/400-1290 mm
Colour	white/silver/anthracite
Load capacity	0-15/0-25/0-30 kg
Interior width (LB)	362-1252 mm
Minimum interior width (LB)	462/762/962 mm
Minimum interior depth (LT)	460 mm
Minimum interior height (LH)	1030 mm





Trouser rail set Lina Standard

Remove a hanger from the rack, arrange your trousers on the hanger outside the wardrobe and then replace the hanger.

- Easy to attach to the left or right wall of the wardrobe
- High load capacity of 15 kg

Includes
 1 shelf with 1 wall plate
 2 shelf supports
 9 hangers
 1 assembly material

Technical data
 Design line: Libell
 Load capacity: 0-15 kg
 Material: powder-coated sheet steel/
 plastic

Art. No.	Colour	Number of hangers	Interior width min. (LB)	Interior depth min. (LT)	Interior height min. (LH)	Width (B)	Depth (T)	Height (H)
		pcs	mm	mm	mm	mm	mm	mm
600.0364.01	white	9	445	530	1030	440	516	162
600.0364.12	silver	9	445	530	1030	440	516	162
600.0364.43	anthracite	9	445	530	1030	440	516	162



Trouser rail set Lina Basic

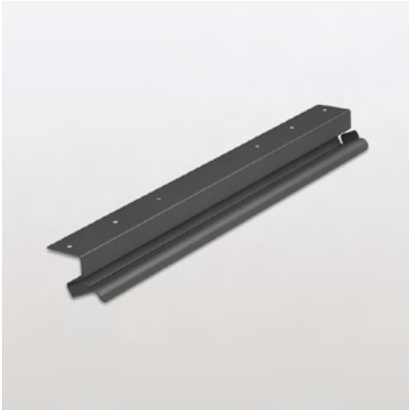
Remove a hanger from the rack, arrange your trousers on the hanger outside the wardrobe and then replace the hanger.

- Easy to mount under a shallow shelf

Includes
 1 metal support with hanger

Technical data
 Design line: Libell
 Material: powder-coated sheet steel/
 plastic

Art. No.	Unit width (EB)	Colour	Load capacity	Number of hangers	Interior width min. (LB)	Interior depth min. (LT)	Interior height min. (LH)	Width (B)	Depth (T)	Height (H)
	mm		kg	pcs	mm	mm	mm	mm	mm	mm
600.0423.01	500	white	0-15	9	462	460	1030	460	423	122
600.0423.12	500	silver	0-15	9	462	460	1030	460	423	122
600.0423.43	500	anthracite	0-15	9	462	460	1030	460	423	122
600.0424.01	800	white	0-25	15	762	460	1030	760	423	122
600.0424.12	800	silver	0-25	15	762	460	1030	760	423	122
600.0424.43	800	anthracite	0-25	15	762	460	1030	760	423	122
600.0425.01	1000	white	0-30	18	962	460	1030	960	423	122
600.0425.12	1000	silver	0-30	18	962	460	1030	960	423	122
600.0425.43	1000	anthracite	0-30	18	962	460	1030	960	423	122



Trouser rail Lina Basic custom width

Remove a hanger from the rack, arrange your trousers on the hanger outside the wardrobe and then replace the hanger.

- Easy to mount under a shallow shelf

Includes
1 metal support

Technical data
Design line: Libell
Load capacity: 0-30 kg
Material: powder-coated sheet steel

Art. No.	Unit width (EB)	Colour	Interior width (LB)	Interior depth min. (LT)	Interior height min. (LH)	Width (B)	Depth (T)	Height (H)
	mm		mm	mm	mm	mm	mm	mm
600.0381.01	400-1290	white	362-1252	460	1030	364-1250	423	122
600.0381.12	400-1290	silver	362-1252	460	1030	364-1250	423	122
600.0381.43	400-1290	anthracite	362-1252	460	1030	364-1250	423	122



Hanger set Lina

Hangers clip onto the rail without the need for tools.

- For using the full width of the Lina trouser rack
- optional

Includes
3 hangers

Technical data
Compatible with: Lina Standard, Lina Basic
Material: plastic

Art. No.	Colour	Width (B)	Depth (T)	Height (H)
		mm	mm	mm
600.0365.59	anthracite	17	423	100



Wooden box Lina

Place the wooden box on the shelf – no tools required.

- Divided into two compartments
- For storing accessories such as belts or jewellery
- Perfect paired with Fiore shelves in a wardrobe
- optional

Includes
1 wooden box

Technical data
Compatible with: Lina Standard, Lina Basic
Material: wood

Art. No.	Colour	Width (B)	Depth (T)	Height (H)	Status
		mm	mm	mm	
600.0377.36	natural oak	437	308	43	while stocks last



Shoe racks

A well-ordered shoe cabinet

Featuring sloping racks, pull-out shelves and easy-to-clean materials, our shoe cabinet solutions provide clear, well-organised storage for even large numbers of shoes.



Shoe pull-out

Two-row shoe rest with full-extension pull-out

- + Two inclined rows provide a good overview and easy access
- + Can be operated from above thanks to full extension
- + The pull-out is easy to remove, making cleaning it a piece of cake
- + Closed base prevents wardrobe/unit from getting dirty



Shoe rest

Shoe rest that can be cut to the required size

- + Custom-width shoe rest for conventional and pull-out shelves
- + Two inclined rows provide a good overview and easy access
- + Closed base prevents wardrobe/unit from getting dirty
- + The shoe rest is easy to remove, making cleaning it a piece of cake

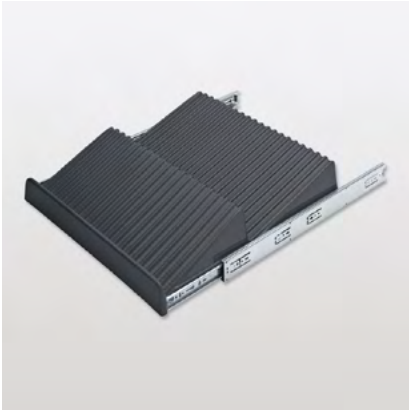


Pull-out shelf Extendo

Flexible pull-out shelf for use in open units, behind sliding doors or doors with zero protrusion hinges

- + Direct access and a great overview of contents
- + Can be operated from above thanks to full extension
- + Maximum use of space thanks to thin-walled yet extremely sturdy metal shelves
- + Almost completely recyclable thanks to the use of sheet steel

→ See page 2.06



Shoe pull-out

Pull the shoe rest out of the unit and remove shoes.

- High load capacity of 25 kg
- Suitable for 16- or 19-mm-thick side panel thanks to width-adjustable pull-out
- 15 mm spacer available as an option for units with hinged doors

Includes
1 shoe rest
2 slides (left+right)

Technical data
Integrated Softclose: no
Integrated Softopen: no
Load capacity: 0-25 kg
Material: powder-coated sheet steel/
plastic

Art. No.	Unit width (EB)	Colour	Interior width (LB)	Interior depth min. (LT)	Interior height min. (LH)	Width (B)	Depth (T)	Height (H)
	mm		mm	mm	mm	mm	mm	mm
200.0598.43	550	anthracite	512-518	525	130	512-518	525	130
200.0627.43	600	anthracite	562-568	525	130	562-568	525	130



Spacer for Shoe pull-out

Drill the spacer into position between the unit and the runner.

- For use in units with hinged doors
- Can be fitted on the right or left
- optional
- Suitable for 32-mm pre-drilled holes

Includes
1 spacer

Technical data
Compatible with: Kobra, shoe pull-out
Material: powder-coated sheet steel

Art. No.	Colour	Width (B)	Depth (T)	Height (H)
		mm	mm	mm
200.0319.01	white	15	75	30
200.0319.12	silver	15	75	30
200.0319.43	anthracite	15	75	30



Shoe rest

Cut the plastic profile to the width you need and place it in the cupboard or wardrobe of your choice.

- Plastic shoe rest can be cut to the required width

Includes
1 shoe rest

Technical data
Material: plastic

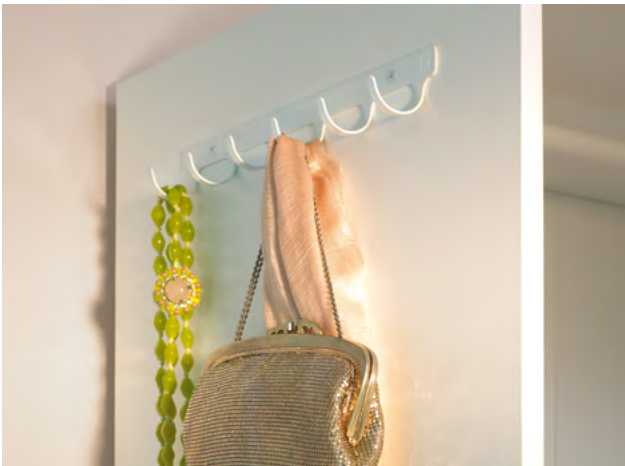
Art. No.	Colour	Width (B)	Depth (T)	Height (H)
		mm	mm	mm
200.0415.43	anthracite	1750	520	90/110



Dressing room accessories

Careful and stylish storage and overview for your wardrobe

Hang up trousers and ties without creasing, stow belts and accessories away neatly, and have everything ready to hand when you need it..



Wall-mounted hook rail Libell

Classic metal rail with six hooks for use anywhere in the home

- + Rail with 6 fixed hooks
- + Made from one piece of sheet steel for added strength
- + Wide range of uses throughout the home
- + Can be combined with all peka housekeeping products



Pull-out shelf Pesolo

Pull-out storage system with hooks

- + Can be fitted in any unit, perfect for hanging and storing small items
- + Pull-out mechanism for easy access
- + The plastic containers are easy to remove, making cleaning them a piece of cake
- + Ten hooks that can be clipped in place as required



Wall-mounted hook rail Libell

Mount the hook rail in a unit, on the inside of a cupboard door or on a wall with two screws.

- Quick to install with 2 screws

Includes
1 hook rail
1 assembly material

Technical data
Design line: Libell
Number of hooks: 6 pcs
Material: powder-coated sheet steel

Art. No.	Colour	Width (B)	Depth (T)	Height (H)
		mm	mm	mm
600.0361.01	white	44	360	54
600.0361.12	silver	44	360	54
600.0361.43	anthracite	44	360	54



Pull-out shelf Pesolo

Open the cupboard door and pull out the trays and hooks.

Includes
1 pull-out frame with 10 fixed hooks and 2 trays
2 spacers (15 mm)

Technical data
Integrated Softclose: no
Integrated Softopen: no
Load capacity: 0-3 kg
Number of hooks: 10 pcs
Material: powder-coated sheet steel/
plastic

Art. No.	Colour	Interior width min. (LB)	Interior depth min. (LT)	Width (B)	Depth (T)	Height (H)
		mm	mm	mm	mm	mm
600.0354.00	silver	110	475	108	465	115
600.0354.43	anthracite	110	475	180	465	115

A woman with long brown hair, wearing a light blue button-down shirt and dark jeans, is smiling and looking towards a white front-loading washing machine. The machine's door is open, and a white laundry basket is on a pull-out tray in front of it. To the right of the machine is a built-in shelving unit with several shelves. The top shelf has a large woven basket and a white box. The second shelf has a stack of folded brown towels. The third shelf has a stack of folded patterned towels. A pull-out tray is extended from the unit, and the woman is holding a patterned towel on it. The background is a plain, light-colored wall.

Adjustable work surfaces

Products that move with your lifestyle.

Adjustable work surfaces help you do the things you do. They transport loads, make tasks easier and more efficient, and are on hand whenever you need them.

PRODUCT OVERVIEW



Click Stop

The locking mechanism for pull-outs temporarily transforms a pull-out shelf into a fixed work surface



Locking mechanism

Click Stop

The extended shelf locks automatically. To unlock it, simply pull it out again with one hand and the shelf moves back to its starting position.

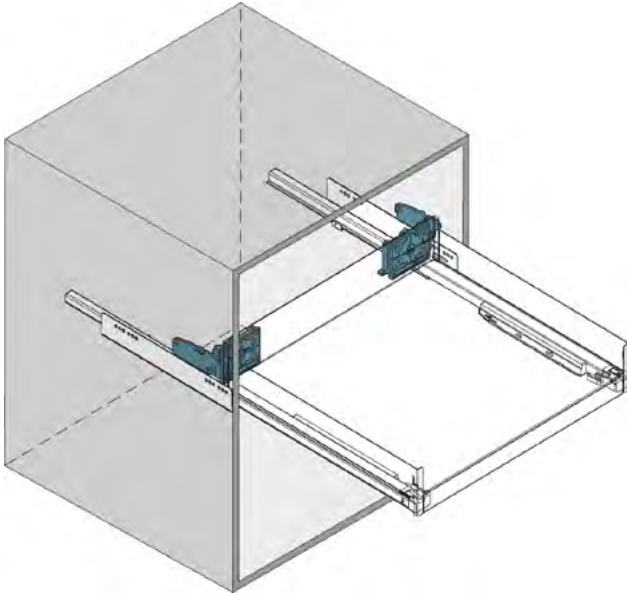
Click Stop transforms a pull-out shelf into a fixed work surface, giving you temporary additional space for cooking, office work or creative activities. It is very intuitive to use: the extended shelf locks automatically, then simply give it another pull to release it and slide it back into place. The mechanism works reliably with both Extendo and custom wooden shelves, and won't come unlocked unexpectedly. Since Click Stop is compatible with every standard runner, there are no limits to its applications.



FEATURES AND BENEFITS

- + A pull-out shelf becomes a fixed work surface and then disappears back into the unit
- + Extended work surface lets you work ergonomically with a healthy posture
- + Easy to operate with one hand: the shelf engages automatically and unlocks when you pull it out again
- + Ensures easy access to heavy appliances and allows you to use them in situ
- + The reliable locking mechanism prevents the shelf from retracting unexpectedly while you are working
- + Applications: kitchens, utility rooms, offices, sales outlets, shipping departments, hospitals, pharmacies, etc.
- + Suitable for compact living where flexible use of space is a must
- + The temporary, fixed work surface offers potential to use space in new ways

TECHNICAL DATA



Barrier-free	yes
Model	right+left
Colour	white/anthracite

TECHNICAL CHARACTERISTICS

- ▶ Self-explanatory operating principle
- ▶ Robust and hard-wearing mechanism with built-in fail-safe function
- ▶ Perceptible feedback when locked in place
- ▶ The locking function can be deactivated at any time without the need for tools, allowing the shelf to be used as a standard non-Click Stop shelf
- ▶ Even with Click Stop fitted, the shelf can be removed and replaced at any time
- ▶ Flexible use: suitable for both Extendo and wooden pull-out shelves
- ▶ Works with all standard sliding systems
- ▶ Can be used with shelves of any width and various depths



Locking mechanism set Click Stop

The extended shelf locks automatically. To unlock it, simply pull it out again with one hand and the shelf moves back to its starting position.

Includes

2 guiding cams for side wall (left+right)
2 locking units for pull-out shelves (left+right)

Technical data

Compatible with: Extendo, wooden pull-out shelves, Trio Libell
Load capacity per shelf: 0-18 kg
Material: plastic

Art. No.	Model	Colour	Width (B)	Depth (T)	Height (H)
			mm	mm	mm
200.2666.51	right+left	white	178	18	55
200.2666.43	right+left	anthracite	178	18	55



Spacer Click Stop

Spacer piece for Click Stop when used with a spacer

- For Click Stop, when used with an Extendo pull-out shelf with spacer
- Can be fitted on the right or left
- optional

Includes

1 spacer

Technical data

Compatible with: Click Stop for Extendo
Material: powder-coated sheet steel

Art. No.	Colour	Width (B)	Depth (T)	Height (H)
		mm	mm	mm
200.2223.21	white	25	92	33
200.2223.43	anthracite	25	92	33



Punching template Click Stop

Punching template for drilling the holes to install Click Stop

- An easy way to mark the holes needed for securing the guiding cam – no need for measuring
- optional

Includes

1 punching template

Technical data

Compatible with: Click Stop for Extendo
Material: powder-coated sheet steel

Art. No.	Colour	Width (B)	Depth (T)	Height (H)
		mm	mm	mm
200.2465.12	silver	187	120	17



Shelf system

So simple, so versatile. With our systems you can transform your walls – whether narrow recesses or large expanses – into well-organised storage space. They also offer plenty of scope for custom design.

PRODUCT OVERVIEW



Pecasa

Fully customisable shelf system for any application and space



Shelf system

Pecasa

Shelves, cabinets, desks, mirrors, screens, etc. can be fixed to a central wall profile and arranged to suit your needs.

A shelf system for life! Pecasa consists of a wall profile to which various components such as shelves, cabinets, clothes rails or screens are attached. Being flexible in size, features and materials, the system is at home in all types of space. The components are infinitely height-adjustable and can be rearranged at any time. The cable ducts built into the profile allow electrical equipment to be added without creating cable spaghetti. Pecasa will go on meeting your needs: it might be used in a child's bedroom initially, then as a home office, and later as a hall stand.

EXAMPLES OF USE
LIVING



EXAMPLES OF USE
HOME OFFICE

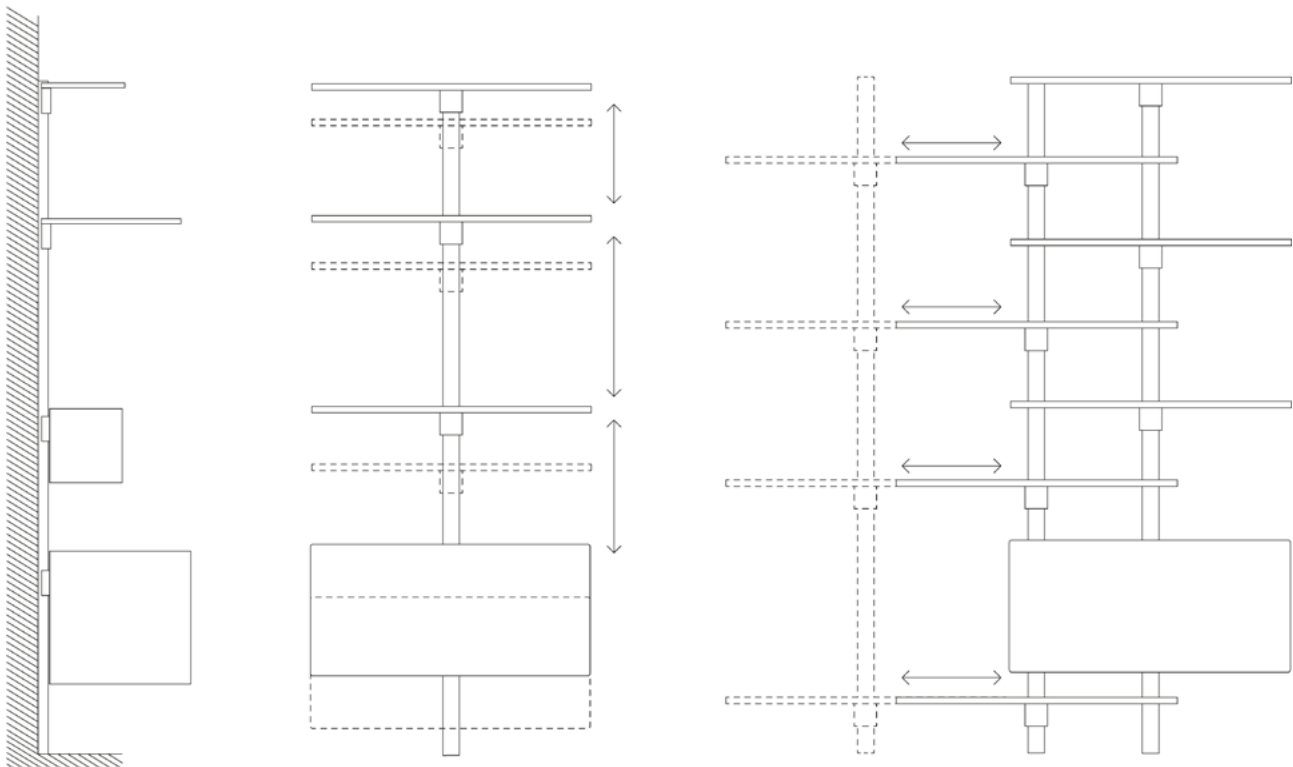


*EXAMPLES OF USE
DRESSING*



EXAMPLES OF USE
HALLWAY

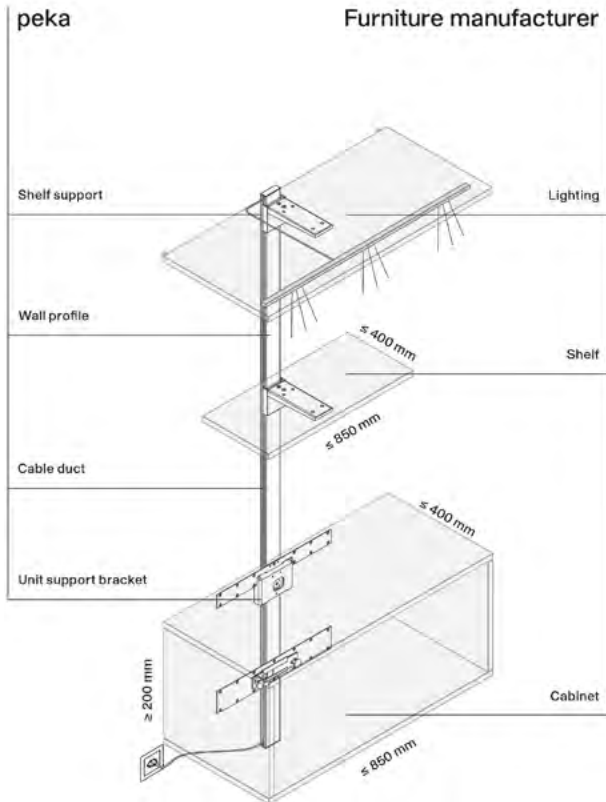




FEATURES AND BENEFITS

- + **A shelf system for life:** Pecasa suits users of all ages, can accompany them every time they move, fits in any room and is compatible with any style
- + **Limitless possibilities:** Pecasa can be used as a lightweight hall stand, as a home office with a desk, as customised furniture for the dressing room or as a living room wall unit complete with widescreen TV
- + **Each shelf system is unique:** the materials, dimensions and shape of the shelves and cabinets can all be tailored to suit the users' needs
- + **Can even be fitted in small spaces or rooms with sloping ceilings:** Pecasa is extremely space-efficient, with multiple shelves that can be positioned alongside each other or at differing heights, according to the space available
- + **Designed with the environment in mind:** Pecasa has a timeless design, is highly versatile and is made of recyclable materials
- + **Smart furniture with no cable spaghetti:** with cable ducts concealed in the wall profile, Pecasa lets you enjoy electrical appliances without worrying about unsightly or tangled cables
- + **Down to the last detail:** practical, well-designed metal accessories are available in four colours to match the Pecasa unit
- + **More free space:** Pecasa is wall-mounted so does not take up any floor space

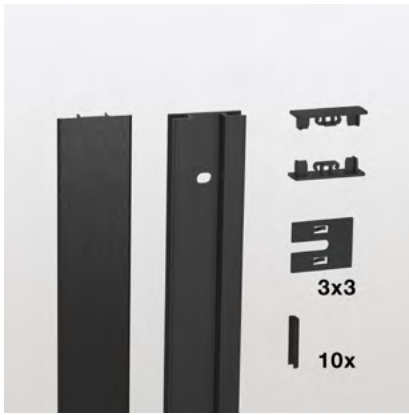
TECHNICAL DATA



Barrier-free	yes
Colour	natural aluminium/white/black
Load capacity	0-12/0-18/0-34 0-80/0-25/0-120/ kg
Interior width (LB)	70-850/144/216/210-850/220-1250/ 434-850/550/552/850/852/ mm
Interior depth (LT)	59/45/48-570/222-422/275/322/332/ 425/460 mm
Interior height (LH)	300-2400/226-800/190-400/1030 mm

TECHNICAL CHARACTERISTICS

- ▶ Pecasa has a modular design with a central wall profile to which individual components can be attached as required
- ▶ All components can be individually adjusted to any height, flexibly arranged, and reorganised and added to again and again
- ▶ Newly added wall profiles and components are always independent of existing elements
- ▶ Despite its graceful design, Pecasa is extremely sturdy with a very high load capacity
- ▶ With no column to get in the way, Pecasa is perfect for designs extending around corners
- ▶ Ready-to-use metal shelves available, with integrated support
- ▶ Banks of shelves can be arranged symmetrically or asymmetrically
- ▶ With only one central wall profile for each bank of shelves, Pecasa is easy and undemanding to install
- ▶ Comes with cover profiles to hide the fittings
- ▶ Shelves can be placed at any height, not only in set positions



Wall profile Standard Pecasa

For attaching the fully height-adjustable shelf and unit supports.

- Use a single wall profile or several profiles side by side
- The cable duct concealed in the side of the wall profile can be sealed with a continuous cable cover
- Comes with a cover profile to hide the fittings
- Fasteners must be appropriate for the wall type and are not therefore included

Includes

1 wall profile with 1 cover profile
 10 cable clamps, 2 cover caps
 (top+bottom)
 3 x 1-mm, 3 x 2-mm and 3 x 3-mm
 spacer plates

Technical data

Compatible with: Pecasa

Art. No.	Colour	Interior height (LH)	Width (B)	Depth (T)	Height (H)	Material
		mm	mm	mm	mm	
600.0408.01	white	300-2400	56	19	2200	coated aluminium
600.0408.20	natural aluminium	300-2400	56	19	2200	brushed, anodised aluminium
600.0408.37	black	300-2400	56	19	2200	brushed, anodised aluminium



Cable cover set Pecasa

To cover cables from the side in the cable duct of the Pecasa standard wall profile.

- Allows electrics such as lighting to be added without a jumble of cables
- Can be cut as required
- Can be retrofitted
- optional

Includes

2 silicone strips

Technical data

Compatible with: Wall profil Standard
 Material: silicone

Art. No.	Colour	Width (B)	Depth (T)	Height (H)
		mm	mm	mm
600.0410.18	grey	7	12	2200
600.0410.15	black	7	12	2200



Shelf support Universal Pecasa

For screwing on wood-composite shelves.

- Can be positioned at any height
- Can be retrofitted
- Screwless fastening to the Pecasa wall profile

Includes

1 shelf support with clamp
 2 cover plates (vertical+horizontal)
 2 depth-adjustment screws
 1 assembly material

Technical data

Compatible with: Pecasa
 Load capacity: 0-80 kg
 Material: powder-coated sheet steel
 (fine powder structure)

Art. No.	Colour	Interior width (LB)	Interior depth (LT)	Width (B)	Depth (T)	Height (H)
		mm	mm	mm	mm	mm
600.0386.91	white	70-850	222-422	70	204	85
600.0386.90	black	70-850	222-422	70	204	85



Shelf support for glass shelves Pecasa

For gluing glass shelves.

- Can be positioned at any height
- Can be retrofitted
- Installation jig for gluing the glass base also available
- Screwless fastening to the Pecasa wall profile

Includes

1 shelf support with clamp
2 cover plates (vertical+horizontal)
1 adapter plate for gluing to the glass shelf

Technical data

Compatible with: Pecasa
Load capacity: 0-80 kg
Material: powder-coated sheet steel (fine powder structure)

Art. No.	Colour	Interior width (LB)	Interior depth (LT)	Width (B)	Depth (T)	Height (H)
		mm	mm	mm	mm	mm
600.0385.91	white	70-850	222-422	70	204	86
600.0385.90	black	70-850	222-422	70	204	86



Installation jig for glass shelves Pecasa

For gluing glass shelves to the shelf supports.

- Korrektes Aufkleben des Tablarträgers ohne anzuzeichnen
- optional

Includes

1 installation jig

Technical data

Compatible with: shelf support for glass shelves
Material: powder-coated sheet steel

Art. No.	Colour	Width (B)	Depth (T)	Height (H)
		mm	mm	mm
600.0411.12	silver	121	237	32



Shelf support for solid wood shelves Pecasa

For screwing on solid wood shelves.

- Offsets the swelling and shrinking of solid wood
- Can be positioned at any height
- Can be retrofitted
- Screwless fastening to the Pecasa wall profile

Includes

1 shelf support with clamp
2 cover plates (vertical+horizontal)
2 depth-adjustment screws
1 assembly material

Technical data

Compatible with: Pecasa
Load capacity: 0-80 kg
Material: powder-coated sheet steel (fine powder structure)

Art. No.	Colour	Interior width (LB)	Interior depth (LT)	Width (B)	Depth (T)	Height (H)
		mm	mm	mm	mm	mm
600.0387.91	white	210-850	222-422	210	204	103
600.0387.90	black	210-850	222-422	210	204	103



Metal shelf Pecasa

Metal shelf with concealed built-in shelf support.

- Screwless fastening to the Pecasa wall profile
- Quick and easy to fit on the profile
- Can be positioned at any height
- Can be retrofitted

Includes

1 metal shelf with built-in clamp
1 vertical cover plate
2 depth-adjustment screws

Technical data

Compatible with: Pecasa
Load capacity per shelf: 0-60 kg
Material: powder-coated sheet steel
(fine powder structure)

Art. No.	Colour	Interior width (LB)	Interior depth (LT)	Width (B)	Depth (T)	Height (H)
		mm	mm	mm	mm	mm
600.0389.91	white	550	275	550	250/261	19/87
600.0389.90	black	550	275	550	250/261	19/87
600.0390.91	white	550	425	550	400/411	19/87
600.0390.90	black	550	425	550	400/411	19/87
600.0391.91	white	850	275	850	250/261	19/87
600.0391.90	black	850	275	850	250/261	19/87
600.0392.91	white	850	425	850	400/411	19/87
600.0392.90	black	850	425	850	400/411	19/87



Universal bracket Pecasa

For mounting screens, TVs, mirrors or pictures of any size.

- Universal wall mount with item attached can be taken in and out of the system easily
- Can be positioned at any height
- Can be retrofitted
- Screwless fastening unit for attaching personal items (TV, mirror, etc.) to the Pecasa wall profile

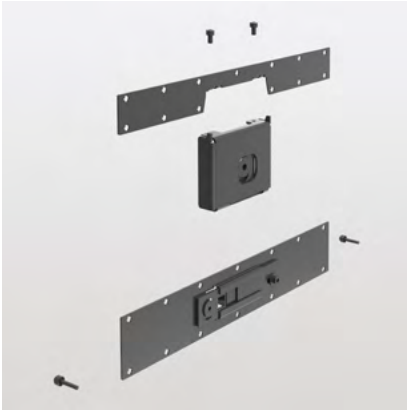
Includes

1 clamp
1 universal wall mount with holes positioned according to the VESA standard

Technical data

Compatible with: Pecasa
Load capacity: 0-25 kg
Material: powder-coated sheet steel
(fine powder structure)

Art. No.	Colour	Interior width (LB)	Interior depth (LT)	Interior height (LH)	Width (B)	Depth (T)	Height (H)
		mm	mm	mm	mm	mm	mm
600.0401.90	black	220-1250	45	226-800	220	25	226



Unit support bracket Pecasa

For screwing on cabinets or desks.

- Fastening unit consists of support brackets (top and bottom) and clamp
- Support brackets with unit can be taken in and out of the system easily
- Can be positioned at any height
- Can be retrofitted

Includes

- 1 clamp
- 2 unit supports (top+bottom)
- 2 depth-adjustment screws
- 1 assembly material

Technical data

Compatible with: Pecasa
 Load capacity: 0-120 kg
 Material: powder-coated sheet steel
 (fine powder structure)

Art. No.	Colour	Interior width (LB)	Interior depth (LT)	Interior height (LH)	Width (B)	Depth (T)	Height (H)
		mm	mm	mm	mm	mm	mm
600.0388.90	black	434-850	48-570	190-400	434	28	190



Magazine/shoe rack Pecasa

Inclined metal shelf that can be mounted either way around, with concealed built-in shelf support.

- Rack tilted downwards: as a display for communication materials or a shoe rest
- Rack tilted upwards: as a shoe rest
- Can be positioned at any height
- Can be retrofitted

Includes

- 1 shelf with built-in clamp
- 1 cover plate

Technical data

Compatible with: Pecasa
 Load capacity per shelf: 0-8 kg
 Material: powder-coated sheet steel
 (fine powder structure)

Art. No.	Colour	Interior width (LB)	Interior depth (LT)	Width (B)	Depth (T)	Height (H)
		mm	mm	mm	mm	mm
600.0431.91	white	550	332	550	321	130
600.0431.90	black	550	332	550	321	130
600.0432.91	white	850	332	850	321	130
600.0432.90	black	850	332	850	321	130



Shelf support with built-in clothes rail Pecasa

For screwing on wood-composite shelves and attaching clothes hangers.

- Can be positioned at any height
- Compatible with all standard clothes hangers
- The end of the rail prevents hangers from sliding off
- Can be retrofitted

Includes

1 shelf support with clamp and built-in clothes rail with 2 end caps
2 cover plates (vertical+horizontal)
2 depth-adjustment screws
1 assembly material

Technical data

Compatible with: Pecasa
Load capacity: 0-34 kg
Material: powder-coated sheet steel (fine powder structure)

Art. No.	Colour	Interior width (LB)	Interior depth (LT)	Width (B)	Depth (T)	Height (H)
		mm	mm	mm	mm	mm
600.0393.91	white	552	322	552	309	116
600.0393.90	black	552	322	552	309	116
600.0394.91	white	852	322	852	309	116
600.0394.90	black	852	322	852	309	116



Hook rail Pecasa

For attaching to shelves.

- Ideal for hallways where space is tight
- Easy and handy to position
- Can be retrofitted
- Total load capacity of shelf: depends on material type and dimensions of shelf

Includes

1 hook rail
2 pieces of double-sided adhesive tape for sticking the rail to glass or metal shelves

Technical data

Compatible with: Pecasa
Material: powder-coated sheet steel (fine powder structure)

Art. No.	Colour	Number of hooks	Load capacity	Interior width (LB)	Interior depth (LT)	Width (B)	Depth (T)	Height (H)
		pcs	kg	mm	mm	mm	mm	mm
600.0395.91	white	2	0-12	144	59	144	39	64
600.0395.90	black	2	0-12	144	59	144	39	64
600.0396.91	white	3	0-18	216	59	216	39	64
600.0396.90	black	3	0-18	216	59	216	39	64



Trouser rail Pecasa

For screwing to wooden shelves.

- Plenty of room for crease-free trousers
- Stopper at the end prevents hangers from sliding off
- Can be retrofitted
- Quick and easy to install

Includes

1 profile for hangers with hangers
1 assembly material

Technical data

Compatible with: Pecasa
Load capacity: 0-34 kg
Material: powder-coated sheet steel
(fine powder structure)

Art. No.	Colour	Number of hangers	Interior width (LB)	Interior depth (LT)	Interior depth min.(LT)	Interior height (LH)	Width (B)	Depth (T)
		pcs	mm	mm	mm	mm	mm	mm
600.0397.91	white	12	550	460	300	1030	500	423
600.0397.90	black	12	550	460	300	1030	500	423
600.0398.91	white	18	850	460	300	1030	800	423
600.0398.90	black	18	850	460	300	1030	800	423

PECASA ACCESSORIES



Papertray

For sorting A4 sheets and folders.

- Document trays can be stacked on top of one another or offset
- Including non-slip strips

Includes
1 paper tray
2 non-slip strips

Art. No.	Colour	Width (B)	Depth (T)	Height (H)	Material
		mm	mm	mm	
600.0407.91	white	335	243	50	powder-coated sheet steel (fine powder structure)
600.0407.90	black	335	243	50	powder-coated sheet steel (fine powder structure)
600.0407.38	mint green	335	243	50	powder-coated sheet steel
600.0407.39	garnet red	335	243	50	powder-coated sheet steel



Letter rack

Freestanding divider for sorting letters and cards and/or for use as a bookend.

Includes
1 letter rack

Art. No.	Colour	Width (B)	Depth (T)	Height (H)	Material
		mm	mm	mm	
600.0403.91	white	179	122	202	powder-coated sheet steel (fine powder structure)
600.0403.90	black	179	122	202	powder-coated sheet steel (fine powder structure)
600.0403.38	mint green	179	122	202	powder-coated sheet steel
600.0403.39	garnet red	179	122	202	powder-coated sheet steel



Bookend

Freestanding divider or support for books.

Includes
1 bookend

Art. No.	Colour	Width (B)	Depth (T)	Height (H)	Material
		mm	mm	mm	
600.0402.91	white	159	220	135	powder-coated sheet steel (fine powder structure)
600.0402.90	black	159	220	135	powder-coated sheet steel (fine powder structure)
600.0402.38	mint green	159	220	135	powder-coated sheet steel
600.0402.39	garnet red	159	220	135	powder-coated sheet steel



Cable organizer

For charging electronic devices and organising their cables.

- With felt inlay
- Enough space for two EU five-outlet power strips

Includes

- 1 cable organizer
- 1 felt inlay

Art. No.	Colour	Width (B)	Depth (T)	Height (H)	Material
		mm	mm	mm	
600.0405.91	white	383	145	121	powder-coated sheet steel (fine powder structure)
600.0405.90	black	383	145	121	powder-coated sheet steel (fine powder structure)
600.0405.38	mint green	383	145	121	powder-coated sheet steel
600.0405.39	garnet red	383	145	121	powder-coated sheet steel



Carry box

For tidying and storing loose items or organising sewing kit, tools, office supplies, shoe cleaning products, medicines, bandages, and much more besides.

- With felt inlay

Includes

- 1 carry box
- 1 felt inlay

Art. No.	Colour	Width (B)	Depth (T)	Height (H)	Material
		mm	mm	mm	
600.0404.91	white	290	155	102	powder-coated sheet steel (fine powder structure)
600.0404.90	black	290	155	102	powder-coated sheet steel (fine powder structure)
600.0404.38	mint green	290	155	102	powder-coated sheet steel
600.0404.39	garnet red	290	155	102	powder-coated sheet steel



Pen tray

For storing office supplies, jewellery, medicines, face masks, and so on.

- With felt inlay

Includes

- 1 pen tray
- 1 felt inlay

Art. No.	Colour	Width (B)	Depth (T)	Height (H)	Material
		mm	mm	mm	
600.0406.91	white	241	121	21	powder-coated sheet steel (fine powder structure)
600.0406.90	black	241	121	21	powder-coated sheet steel (fine powder structure)
600.0406.38	mint green	241	121	21	powder-coated sheet steel
600.0406.39	garnet red	241	121	21	powder-coated sheet steel

peka

Luzernerstrasse 20, 6295 Mosen, Switzerland

T +41 41 919 94 00, F +41 41 919 94 10

peka@peka-system.ch www.peka-system.ch

