



Our products are designed for life - carefully considered - engineered to last...

www.ldl-3d.co.uk



Contents:

Page 4 – Space Tower (715/ 1245)

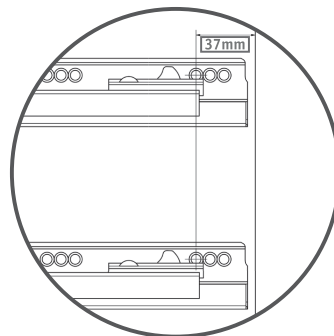
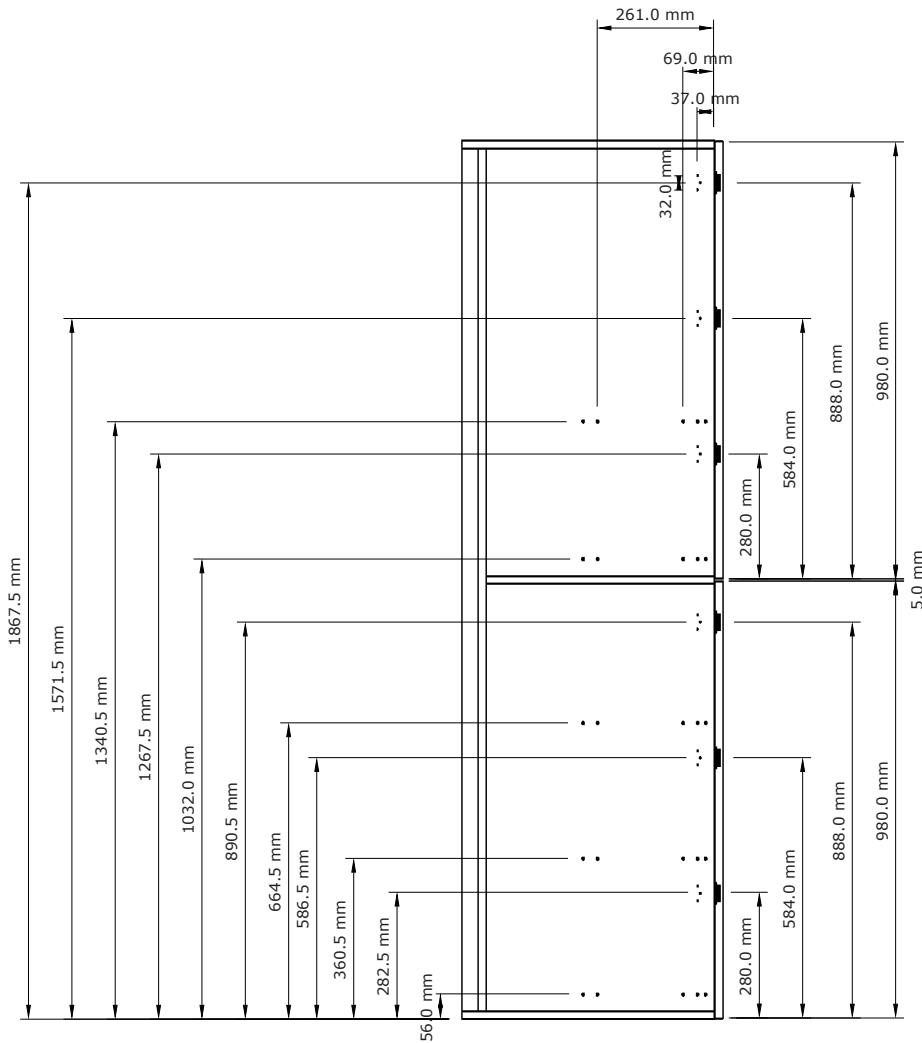
Page 5 – Space Tower (980/ 980)

Page 6 – Space Tower (1245/ 715)

Page 7 – Space Tower (1965)

Page 8 – Useful Jigs

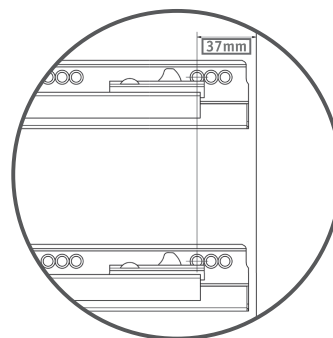
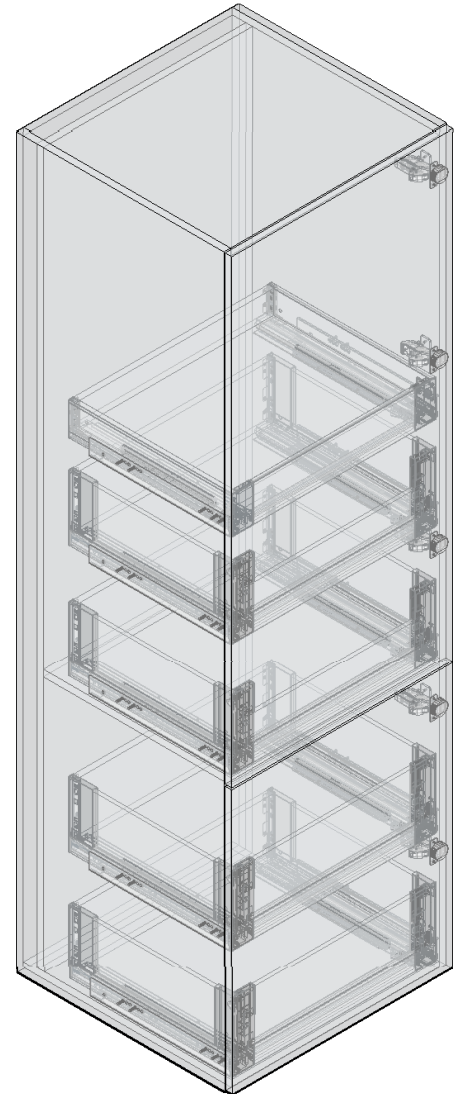
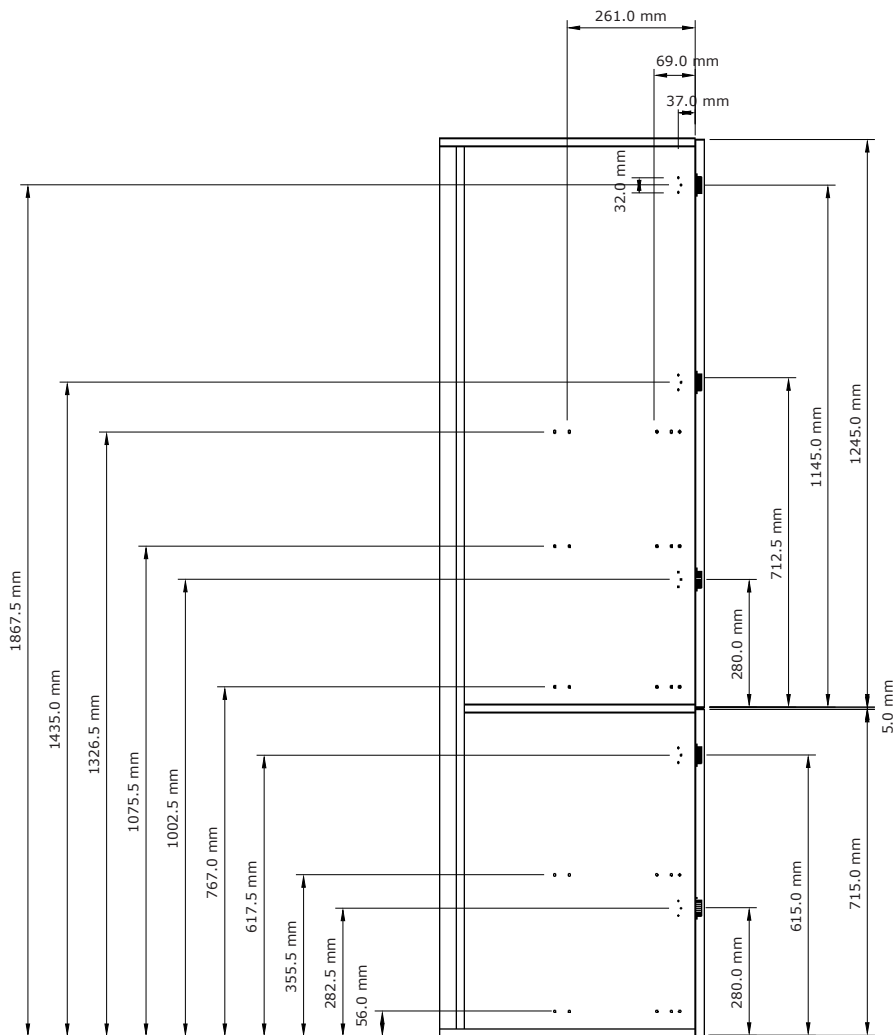
Cabinet Configuration - LEGRABOX SPACE TOWER – 980/980 Door



Cabinet Dimensions	
Carcase Height:	1965
External Carcase Width:	600
Internal Carcase Width:	564
Top Panel Thickness:	18
Bottom Panel Thickness:	18
Left Side Panel Thickness:	18
Right Side Panel Thickness:	18
Top Gap:	2.5
Gap Between Fronts:	5
Bottom Gap:	2.5
Left Side Gap:	2
Right Side Gap:	2

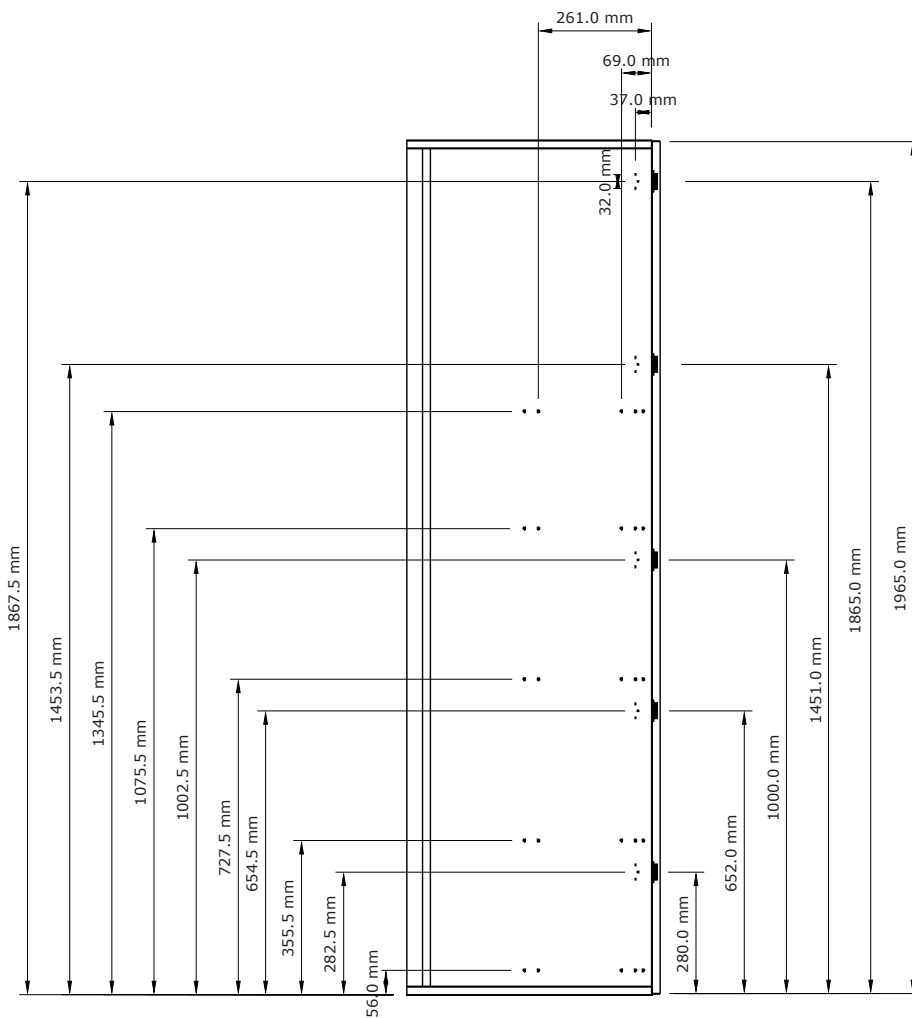
WARNING! All of the drilling specifications are based upon the above cabinet dimensions, formatted for an overlay application. For non-standard cabinet dimensions, please call 0800 230 0898.

Cabinet Configuration - LEGRABOX SPACE TOWER – 1245/715 Door



Cabinet Dimensions	
Carcase Height:	1965
External Carcase Width:	600
Internal Carcase Width:	564
Top Panel Thickness:	18
Bottom Panel Thickness:	18
Left Side Panel Thickness:	18
Right Side Panel Thickness:	18
Top Gap:	2.5
Gap Between Fronts:	5
Bottom Gap:	2.5
Left Side Gap:	2
Right Side Gap:	2

Cabinet Configuration - LEGRABOX SPACE TOWER – 1965 Door



Cabinet Dimensions	
Carcase Height:	1965
External Carcase Width:	600
Internal Carcase Width:	564
Top Panel Thickness:	18
Bottom Panel Thickness:	18
Left Side Panel Thickness:	18
Right Side Panel Thickness:	18
Top Gap:	2.5
Gap Between Fronts:	5
Bottom Gap:	2.5
Left Side Gap:	2
Right Side Gap:	2

WARNING! All of the drilling specifications are based upon the above cabinet dimensions, formatted for an overlay application. For non-standard cabinet dimensions, please call 0800 230 0898.

Useful Jigs



65.1000.01

Multiple cabinet drilling positions for cabinet profiles.

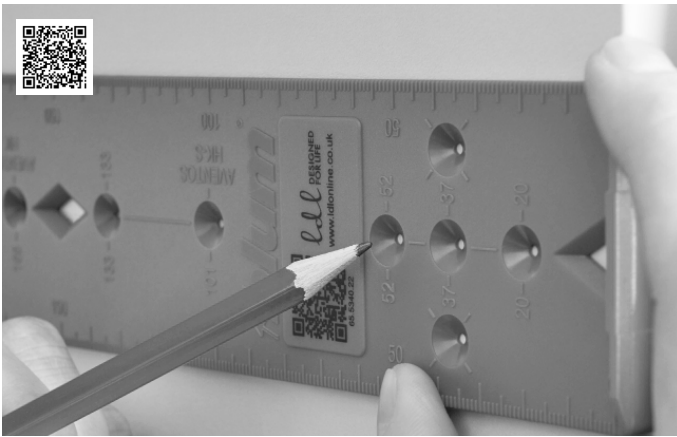
For Legrabox & Antaro



65.1051.01

Single cabinet drilling positions for cabinet profiles.

For Legrabox & Antaro



65.5340.22

Single cabinet drilling positions for cabinet profiles.

For Legrabox & Antaro



T: 01225 438 188 | E: sales@ldlonline.co.uk | www.ldl-3d.co.uk