



Our products are designed for life - carefully considered - engineered to last...

www.ldl-3d.co.uk



Contents:

Page 04 – 1 x M Standard & 2 x C Standard (1 x 140, 2 x 283)

Page 05 – 2 x M Standard & 1 x C Standard (2 x 175, 1 x 355)

Page 06 – 1 x M Standard & 1 x C Standard (1 x 140, 1 x 570)

Page 07 – 1 x M Internal & 2 x C Standard (2 x 355)

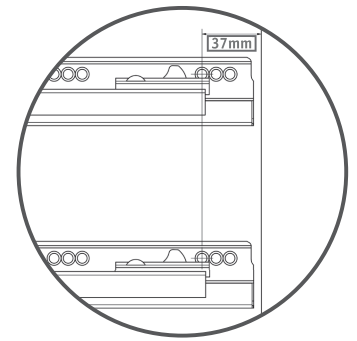
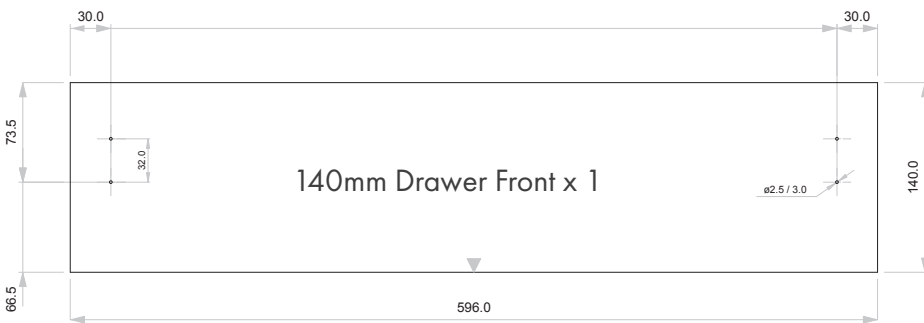
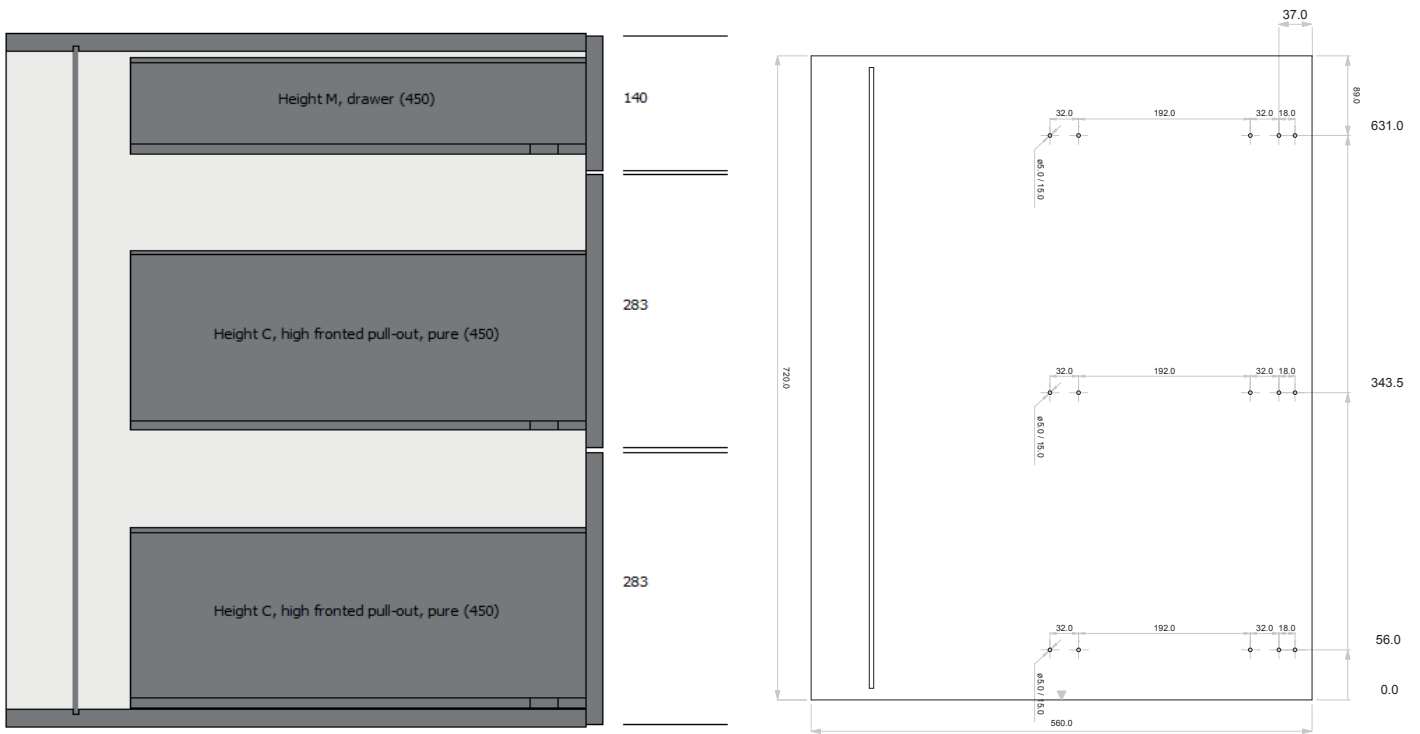
Page 08 – 2 x C Standard (2 x 355)

Page 09 – 4 x K Standard (4 x 175)

Page 10 – 5 x M Standard (5 x 140)

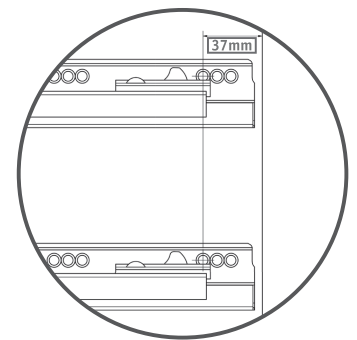
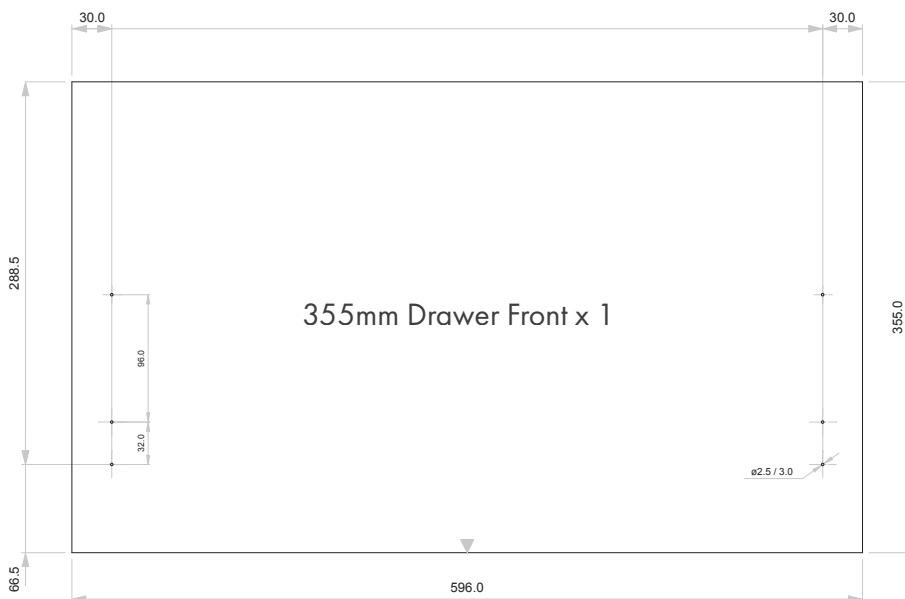
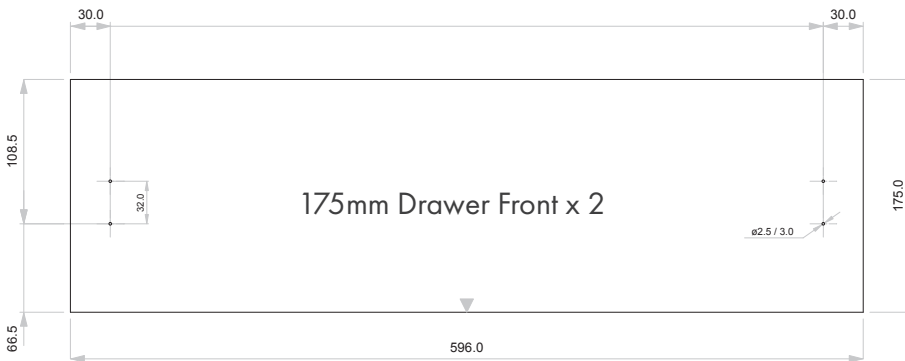
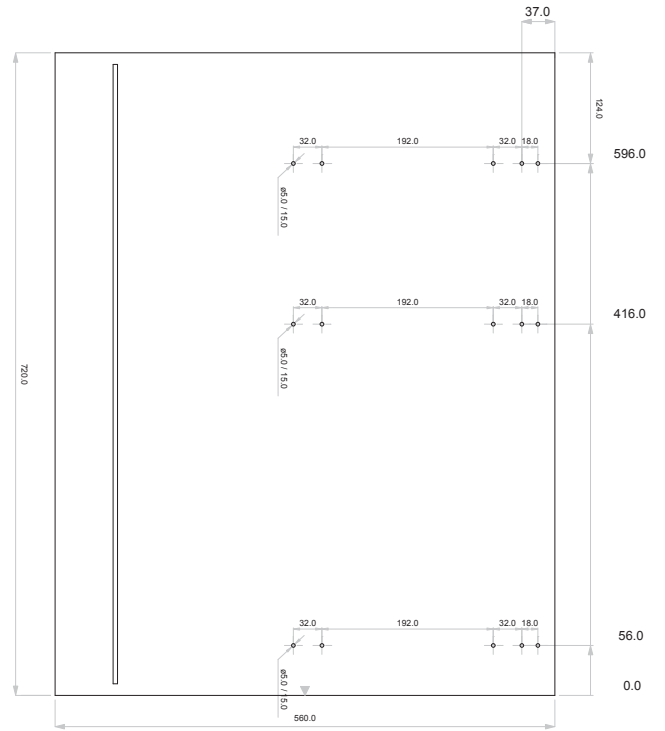
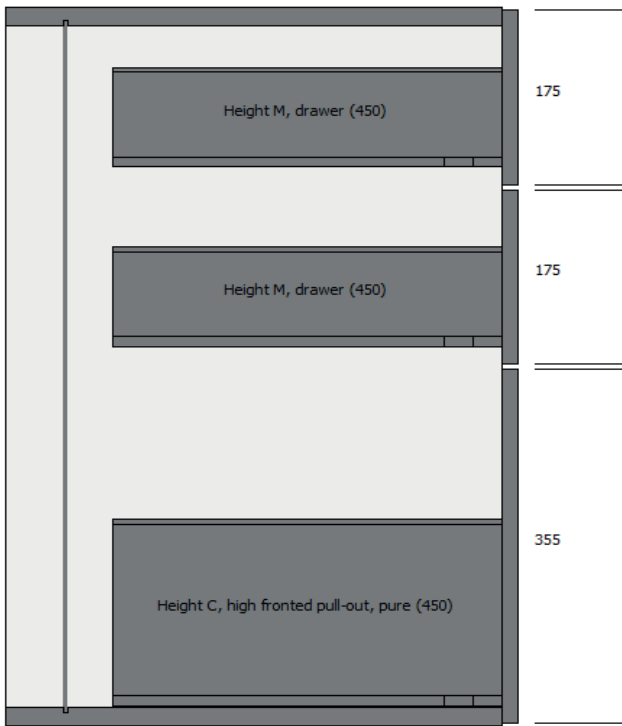
Page 11 – Useful Jigs

Cabinet Configuration - 1 x M Standard, 2 x C Standard



Cabinet Dimensions	
Carcase Height:	720
External Carcase Width:	600
Internal Carcase Width:	564
Top Panel Thickness:	18
Bottom Panel Thickness:	18
Left Side Panel Thickness:	18
Right Side Panel Thickness:	18
Top Gap:	2.5
Gap Between Fronts:	5
Bottom Gap:	2.5
Left Side Gap:	2
Right Side Gap:	2

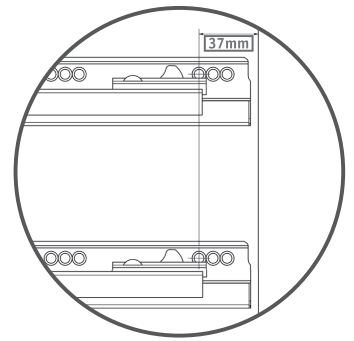
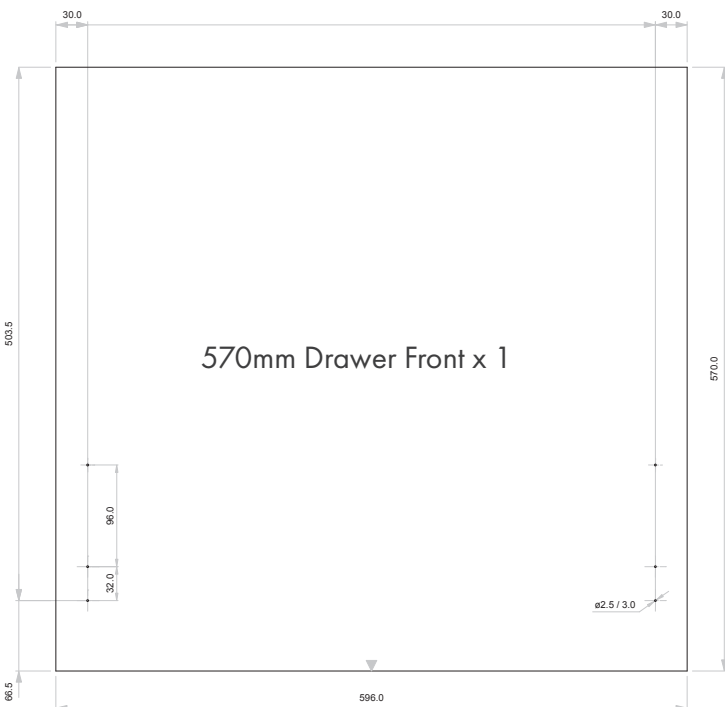
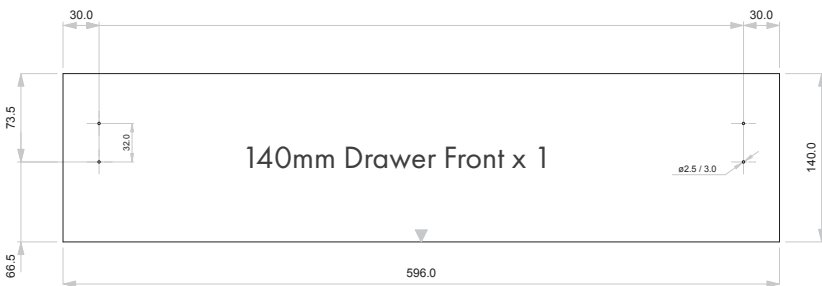
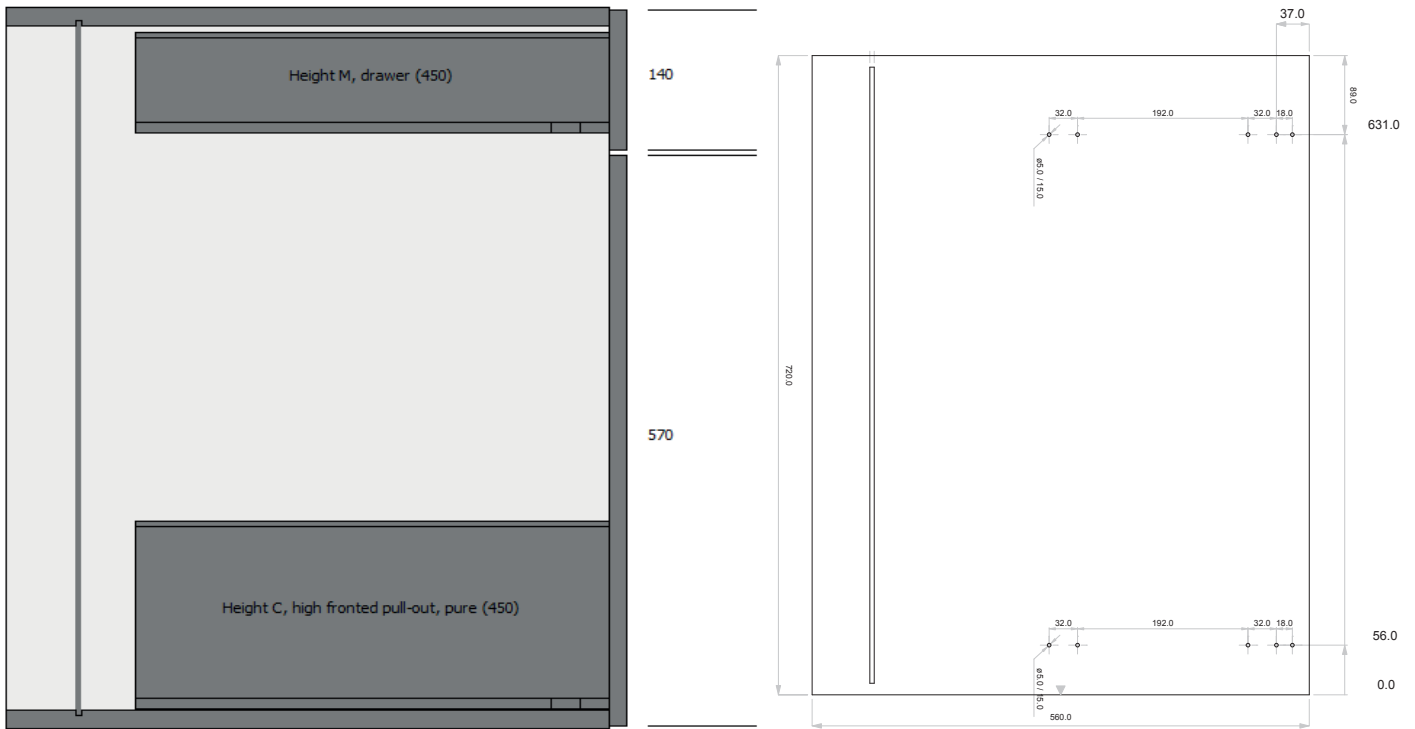
Cabinet Configuration - 2 x M Standard, 1 x C Standard



Cabinet Dimensions	
Carcase Height:	720
External Carcase Width:	600
Internal Carcase Width:	564
Top Panel Thickness:	18
Bottom Panel Thickness:	18
Left Side Panel Thickness:	18
Right Side Panel Thickness:	18
Top Gap:	2.5
Gap Between Fronts:	5
Bottom Gap:	2.5
Left Side Gap:	2
Right Side Gap:	2

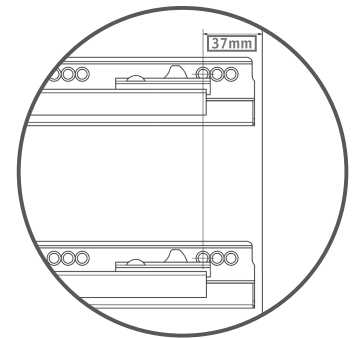
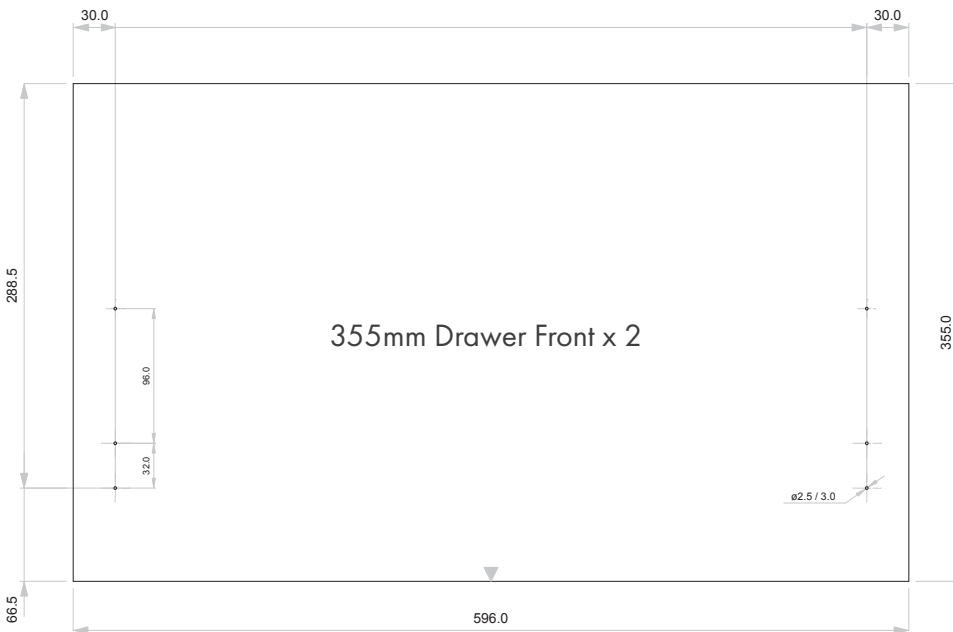
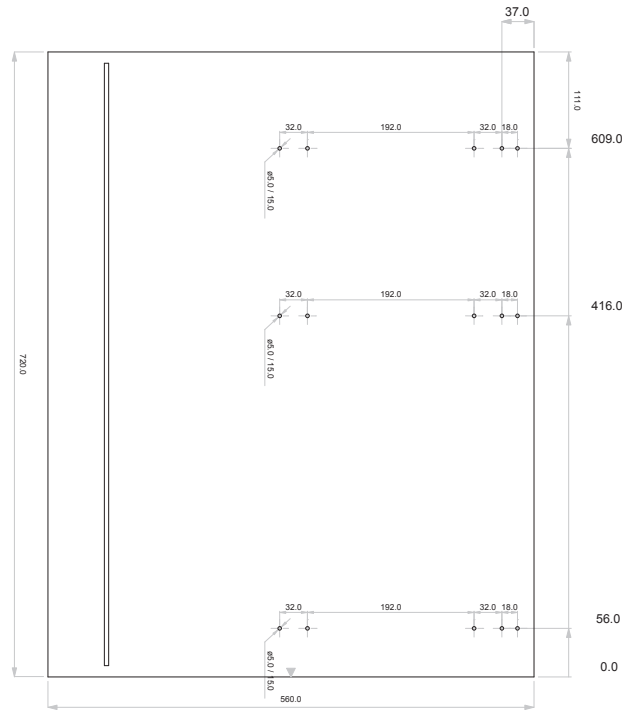
WARNING! All of the drilling specifications are based upon the above cabinet dimensions, formatted for an overlay application. For non-standard cabinet dimensions, please call 0800 230 0898.

Cabinet Configuration - 1 x M Standard, 1 x C Standard



Cabinet Dimensions	
Carcase Height:	720
External Carcase Width:	600
Internal Carcase Width:	564
Top Panel Thickness:	18
Bottom Panel Thickness:	18
Left Side Panel Thickness:	18
Right Side Panel Thickness:	18
Top Gap:	2.5
Gap Between Fronts:	5
Bottom Gap:	2.5
Left Side Gap:	2
Right Side Gap:	2

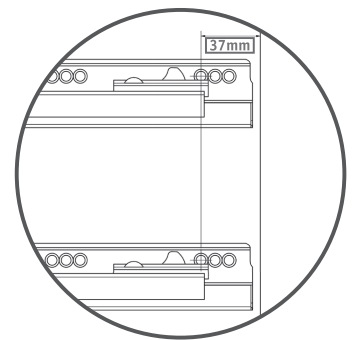
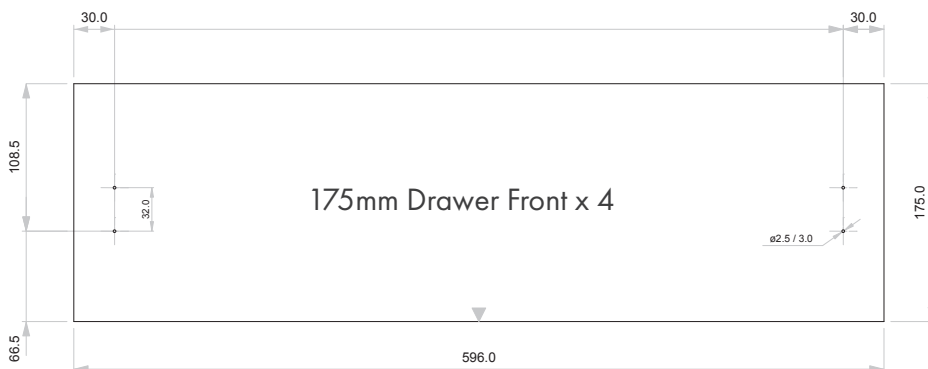
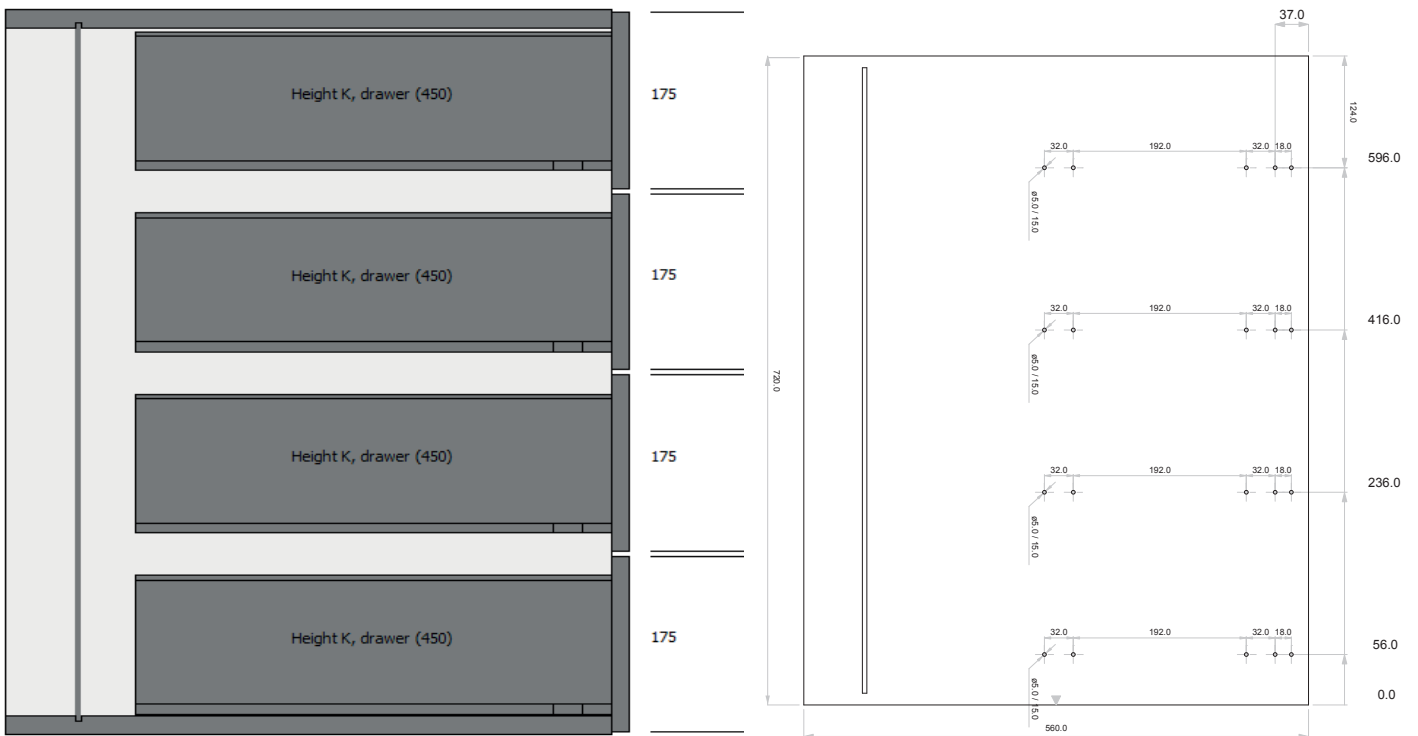
Cabinet Configuration - 1 x M Internal, 2 x C Standard



Cabinet Dimensions	
Carcase Height:	720
External Carcase Width:	600
Internal Carcase Width:	564
Top Panel Thickness:	18
Bottom Panel Thickness:	18
Left Side Panel Thickness:	18
Right Side Panel Thickness:	18
Top Gap:	2.5
Gap Between Fronts:	5
Bottom Gap:	2.5
Left Side Gap:	2
Right Side Gap:	2

WARNING! All of the drilling specifications are based upon the above cabinet dimensions, formatted for an overlay application. For non-standard cabinet dimensions, please call 0800 230 0898.

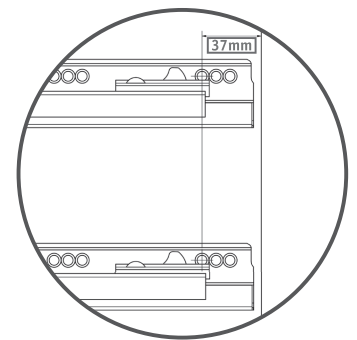
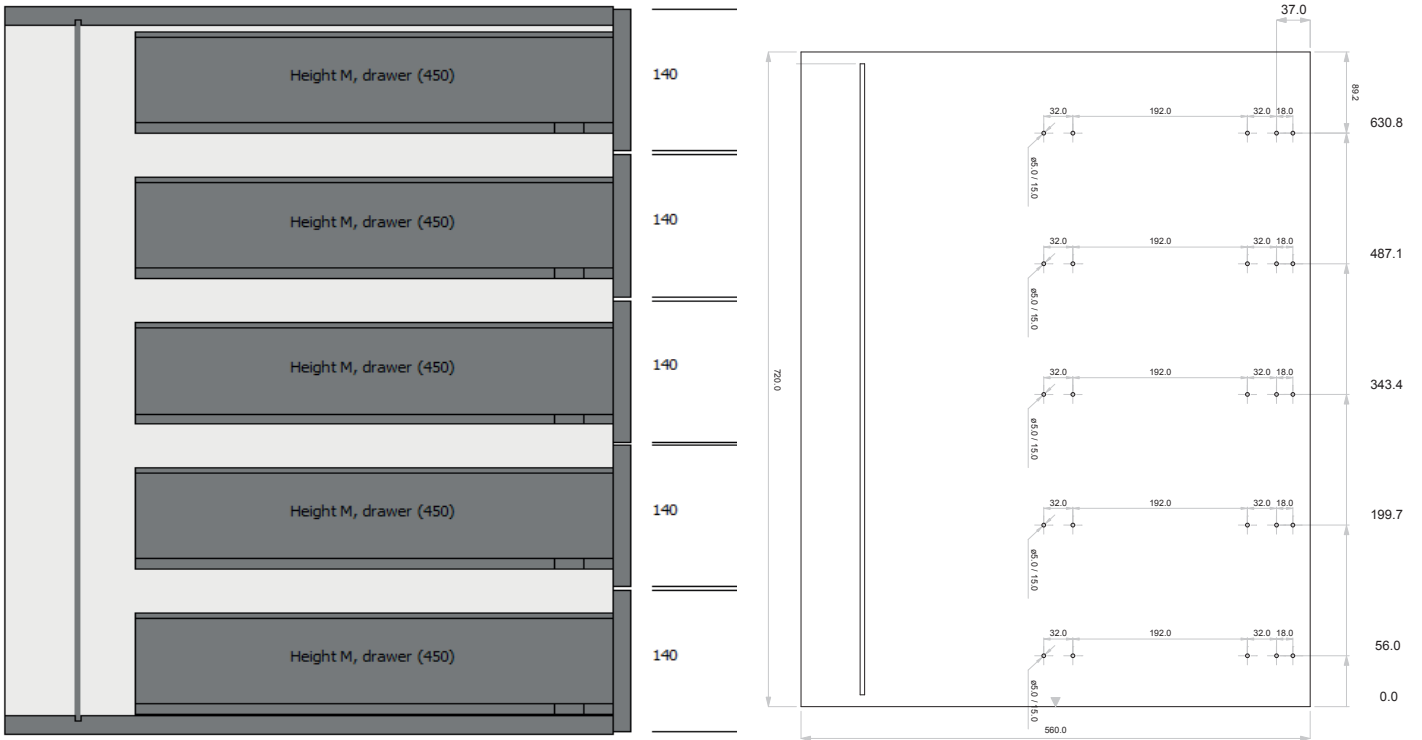
Cabinet Configuration - 4 x K Standard



Cabinet Dimensions	
Carcase Height:	720
External Carcase Width:	600
Internal Carcase Width:	564
Top Panel Thickness:	18
Bottom Panel Thickness:	18
Left Side Panel Thickness:	18
Right Side Panel Thickness:	18
Top Gap:	2.5
Gap Between Fronts:	5
Bottom Gap:	2.5
Left Side Gap:	2
Right Side Gap:	2

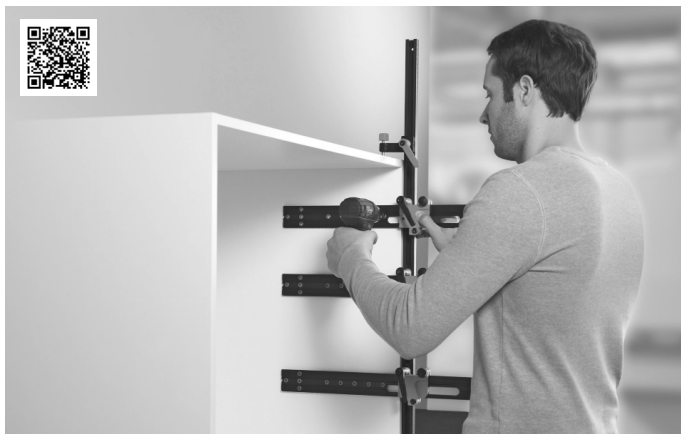
WARNING! All of the drilling specifications are based upon the above cabinet dimensions, formatted for an overlay application. For non-standard cabinet dimensions, please call 0800 230 0898.

Cabinet Configuration - 5 x M Standard



Cabinet Dimensions	
Carcase Height:	720
External Carcase Width:	600
Internal Carcase Width:	564
Top Panel Thickness:	18
Bottom Panel Thickness:	18
Left Side Panel Thickness:	18
Right Side Panel Thickness:	18
Top Gap:	2.5
Gap Between Fronts:	5
Bottom Gap:	2.5
Left Side Gap:	2
Right Side Gap:	2

Useful Jigs



65.1000.01

Multiple cabinet drilling positions for cabinet profiles.

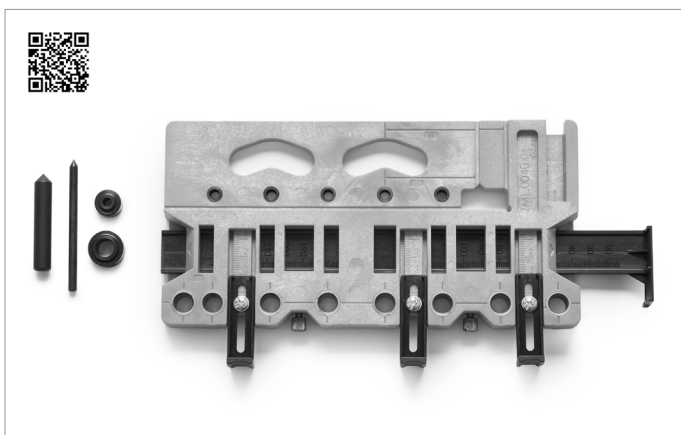
For Legrabox & Antaro



65.1051.01

Single cabinet drilling positions for cabinet profiles.

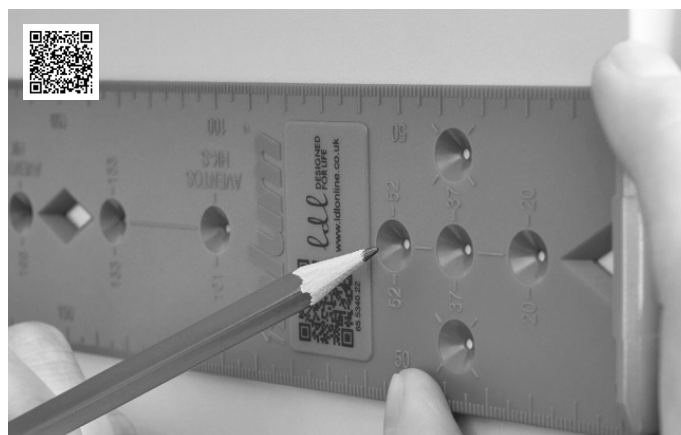
For Legrabox & Antaro



ZML.0040.01

Universal Drilling Jig – used for centre punching the drilling points for front fixing brackets & gallery rails.

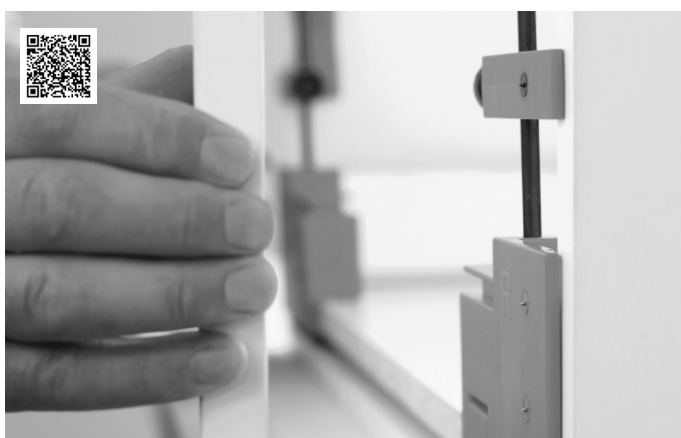
For Legrabox & Antaro



65.5340.22

Single cabinet drilling positions for cabinet profiles.

For Legrabox & Antaro



ZML.3710

Template for marking the positions for the front fixing brackets.

For Legrabox

WARNING! All of the drilling specifications are based upon the above cabinet dimensions, formatted for an overlay application. For non-standard cabinet dimensions, please call 0800 230 0898.

