



AVENTOS

An inspiring range
of lift systems

www.blum.com

 **blum**[®]

Freedom of movement – multitude of options

AVENTOS lift systems deliver top quality motion and ease of use to wall cabinets, thus enhancing the quality of living. Even large and heavy fronts glide up and out of the user's way, providing full freedom of movement. We are never satisfied with the status quo and that is why we are continually optimising AVENTOS for you and your customers.



Contents

- 4 Design
- 6 User convenience
- 10 Assembly
- 12 Quality
- 14 Product line
- 16 Lift systems
- 28 AVENTOS range

Ordering and planning information

- 30 AVENTOS HF
- 42 AVENTOS HS
- 46 AVENTOS HL
- 50 AVENTOS HK top
- 56 AVENTOS HK-S
- 60 AVENTOS HK-XS
- 66 TIP-ON
- 68 EXPANDO T
- 69 Assembly devices
- 70 SERVO-DRIVE



Award-winning design – mesmerising elegance

The AVENTOS range not only excels in terms of functionality. It also boasts a sleek and elegant design. Numerous international prizes bear testimony to its award-winning design.

Minimalist cover cap
Impresses with a sleek look

Silk white, light grey, dark grey
Select the right colour cover cap to
blend stylishly with the furniture

Branding element
Can be customised



Detailed information on awards
at: www.blum.com/award



How can you make tall units and wall cabinets even more ergonomic?

With lift systems for easy access to contents. Especially in the kitchen. This is how you can design fine furniture with enhanced convenience for your customers and increase the quality of living at the same time. We carry out kitchen surveys worldwide and are continuously expanding our fittings range and improving user convenience to meet customers' needs.

Since **2005**

Ongoing continuous development: AVENTOS is continually being improved to bring more quality to furniture.

AVENTOS | Ease of use



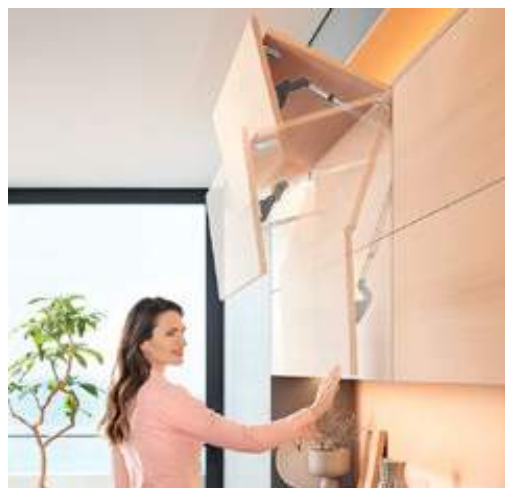
Freedom of movement

The front lifts up and out of the way. It holds in any position so it can be left open while the kitchen is in use. This makes it easy to access contents at all times.



Ample storage space

Tall units and wall cabinets with lift systems come in all heights and widths to suit storage space requirements. This also enables customers to align wall cabinet gaps with those of base units.



Enhanced ease of use

Fronts open with a feather-light glide and can be equipped with a mechanical or electrical opening support system to suit customers' wishes. They close softly and effortlessly with BLUMOTION and SERVO-DRIVE with integrated soft close.



Find out more about
the four motion technologies
by Blum at:
www.blum.com/4formore



Delivering enhanced convenience to tall and wall cabinets

Enhance functionality by equipping wall cabinets with motion technologies. Whether with or without handles, the right motion technology will make it even easier for your customers to open and close tall units and overhead cupboards.


SERVO-DRIVE

by Blum

Electrical opening and soft close

Thanks to SERVO-DRIVE, fronts open at a single touch. And they close automatically at the press of a switch. With integrated soft close.


BLUMOTION

by Blum

Soft close

BLUMOTION always provides soft and effortless closing for wall cabinet fronts regardless of the weight or closing speed.


TIP-ON

by Blum

Mechanical opening

Wall cabinets open at a single touch, giving users easy access to the opening edge of fronts. To close, simply press shut.



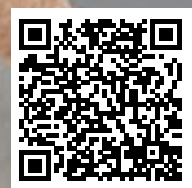
Easy assembly in just a few steps

Virtually tool-free

AVENTOS boasts easy, virtually tool-free assembly thanks to tried and tested CLIP technology. The only tool required is a cordless screwdriver for adjusting the lift mechanism precisely to the front weight. 3-dimensional front adjustment guarantees perfect gap alignment.

SERVO-DRIVE

Easy start-up: SERVO-DRIVE for AVENTOS has few components that can be assembled with ease and adjusted with precision. The SERVO-DRIVE drive unit can be clipped onto the lift mechanism and cabled, the wireless switch installed and the system put into operation in next to no time.



Find out more about SERVO-DRIVE
for AVENTOS assembly:
www.blum.com/sdaventosassembly



Reliable quality

For us, product quality is not just about design and function. Our fittings suit a wide range of applications and can be assembled and installed with utmost precision, so that you exceed your customers' expectations.

80,000 X



Precision testing

Each fitting is tested extensively according to strict criteria. Testing is carried out at our own test labs as well as in conjunction with international testing organisations. An AVENTOS lift system is subjected to 80,000 opening and closing cycles in Blum's in-house laboratories.– only then are we satisfied with the quality.



Long warranty

Everyone who uses Blum products and services should benefit from them. From furniture manufacturers to end users who enjoy Blum fittings year in, year out. We are fully committed to this philosophy and offer a full 5-year warranty on all electrical components used in combination with Blum products.

Lift systems for more freedom of movement

AVENTOS lift systems deliver top quality motion and enhanced convenience to any wall cabinet. Whether wall cabinets in kitchens or living areas, with large or small fronts, all AVENTOS lift systems open with utmost ease and close again softly and effortlessly with integrated BLUMOTION. Fronts glide up and out of the way, providing full freedom of movement .





BLUMOTION	SERVO-DRIVE
by Blum	by Blum

**AVENTOS HF –
For bi-fold lift systems**

The solution for high wall cabinets with bi-fold fronts and little space needed above the cabinet.



BLUMOTION	SERVO-DRIVE
by Blum	by Blum

**AVENTOS HS –
For up & over lift systems**

The ideal fitting for large, one-part fronts. There is enough space above the cabinet for cornice or crown mouldings.



BLUMOTION	SERVO-DRIVE
by Blum	by Blum

**AVENTOS HL –
For lift ups**

Suitable for tall units or wall cabinets with cabinets positioned above them. AVENTOS HL can also solve tricky installation situations, e.g. integration of electrical appliances.



BLUMOTION	SERVO-DRIVE	TIP-ON
by Blum	by Blum	by Blum

**AVENTOS HK top –
For stay lifts**

Compact, minimalist and highly functional. Small but strong, it is suitable for both small and large wall cabinets. Opening angle stop and safety mechanism are integrated.



BLUMOTION	TIP-ON
by Blum	by Blum

**AVENTOS HK-S –
For small stay lifts**

The right solution for small wall cabinets with one-part fronts, e.g. above larder units or refrigerators. The compact lift system fits snugly into small cabinets.



BLUMOTION	TIP-ON
by Blum	by Blum

**AVENTOS HK-XS –
For small stay lifts**

Suitable for many applications (for both tall units and wall cabinets) and needs very little space. The lift system can even be used for cabinets with a shallow internal depth.



More information
on AVENTOS HF
can be found at
www.blum.com/aventoshf

AVENTOS HF

The AVENTOS HF bi-fold lift system is the ideal solution for high and mid height wall cabinets. Even large wall cabinets can be implemented thanks to the bi-fold front. AVENTOS HF offers a vast variety of planning and design options. Be it wooden fronts, narrow or wide aluminium frames, combinations of different materials or even fronts of different heights, you will always be able to meet your customers' individual requirements.

BLUMOTION

by Blum

SERVO-DRIVE

by Blum

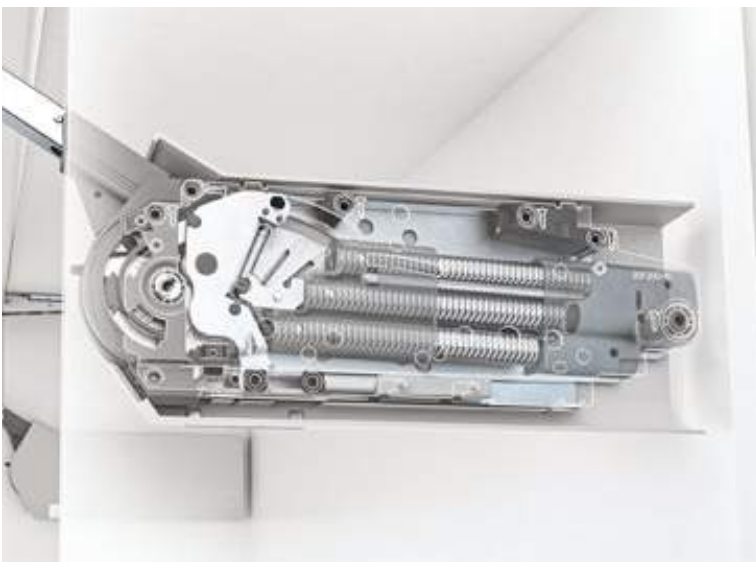


More design freedom

AVENTOS HF allows you to use a combination of materials for wall cabinet fronts.



Innovative technology with integrated safety features The CLIP top centre hinge prevents fingers getting caught.



At the heart of this fittings solution is the lift mechanism with BLUMOTION and a durable spring package.



More information
on AVENTOS HS
can be found at
www.blum.com/aventoshs

AVENTOS HS

Even large, one-part fronts swing up and over with gravity-defying ease with AVENTOS HS. There is still enough space above the cabinet for a host of design possibilities such as beautiful cornice or crown mouldings. Like all other AVENTOS systems, the assembly of the up and over system is easy and virtually tool-free.

BLUMOTION

by Blum

SERVO-DRIVE

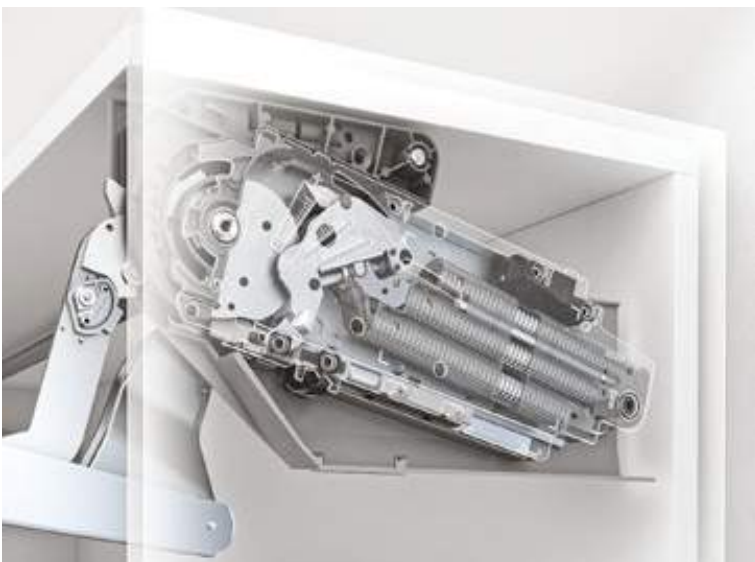
by Blum



The up & over lift system can also be implemented with EXPANDO T, the fixing system for thin fronts, and no changes need be made to the fixing position.



Tailored to your taste
AVENTOS HS also allows wall cabinets to be decorated with cornice or crown mouldings.



At the heart of this fittings solution is the lift mechanism with BLUMOTION and a durable spring package.



More information
on AVENTOS HL
can be found at
www.blum.com/aventoshl



AVENTOS HL

The perfect marriage of design and function: Wall cabinet fronts equipped with AVENTOS HL lift right up so that items are always within easy reach. The lift up system is also ideal for special installation situations such as integrating electrical appliances into tall cabinets.

BLUMOTION

by Blum

SERVO-DRIVE

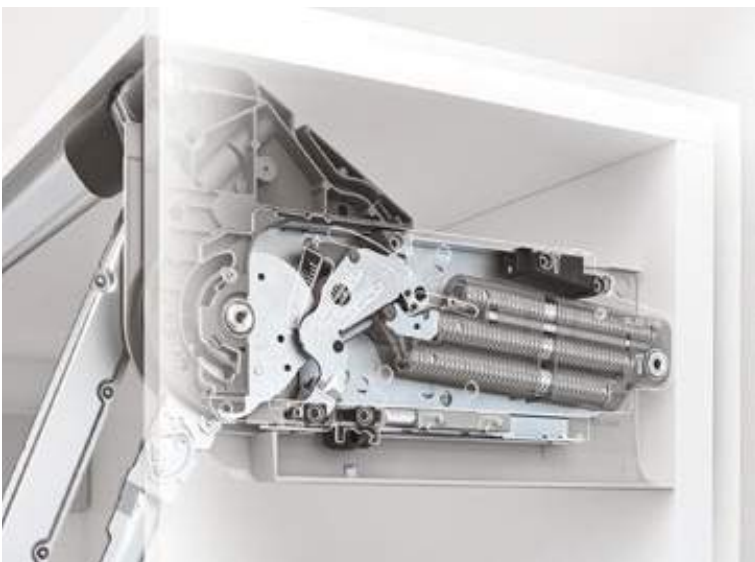
by Blum



Even large fronts can be opened and closed with ease with the SERVO-DRIVE electrical motion support system.



Simply beautiful
AVENTOS HL allows you to conceal electrical appliances behind continuous cabinet fronts.



At the heart of this fittings solution is the lift mechanism with BLUMOTION and a durable spring package.



More information
on AVENTOS HK top
can be found at
www.blum.com/aventoshktop

AVENTOS HK top

The convenient stay lift needs little space above the cabinet. AVENTOS HK top boasts a sleek design and has a host of integrated features which make assembly and installation quick, safe and error-free. Handle-less fronts can be opened using SERVO-DRIVE or TIP-ON technology.

BLUMOTION

by Blum

SERVO-DRIVE

by Blum

TIP-ON

by Blum



Lift mechanism with positioning system or pre-mounted system screws? Choose between two types of assembly. The drillings are the same regardless of application and cabinet height.



Colour signals assist you with the SERVO-DRIVE start-up.



The lift system has an integrated opening angle stop. The opening angle is infinitely variable and can be set exactly as required.



At the heart of this fittings solution is the lift mechanism with BLUMOTION and a durable spring package.



More information
on AVENTOS HK-S
can be found at
www.blum.com/aventoshks

AVENTOS HK-S

AVENTOS HK-S is the right choice for small lift systems in tall cabinets, e.g. above refrigerators. Thanks to its balanced and compact design, the fitting fits perfectly into small pieces of furniture. It allows you to make full use of the storage space available.

BLUMOTION

by Blum

TIP-ON

by Blum



Adjust the lift mechanism precisely to the front weight and the small stay lift will stay exactly where you want it to.



Handle-less fronts open with a single touch using TIP-ON for AVENTOS HK-S. To close, simply press shut.



At the heart of this fittings solution is the lift mechanism with BLUMOTION and a durable spring package.



More information
on AVENTOS HK-XS
can be found at
www.blum.com/aventoshkxs

AVENTOS HK-XS

AVENTOS HK-XS is the compact fitting for small stay lifts in tall units and wall cabinets. AVENTOS HK-XS provides enormous scope for design thanks to its slim construction. Cabinets close softly and effortlessly in combination with CLIP top BLUMOTION hinges.

BLUMOTION

by Blum

TIP-ON

by Blum



Be it thick wooden fronts, fronts with wide or narrow alu frames, the fixing positions remain the same. This makes it easy to use different materials and front thicknesses.
















Thanks to the variable stop, fronts hold in any desired position and are always within easy reach for closing.



The lift mechanism with a durable spring package is the core element of the compact fitting. AVENTOS HK-XS excels in terms of high stability and long service life. Quality for the lifetime of the furniture.

The right lift system for any application

	Motion	Typical applications	Front weight*	Possible fronts	Possible cabinet dimensions in mm
HF		Wall cabinet, high, bi-fold fronts		Wooden, wide/narrow alu frame fronts, wood-glass combinations, asymmetrical fronts, mitred and rebated applications	Height 480–1040 Width up to 1800
HS		Wall cabinet (if space), large, one-part fronts, with cornice and crown mouldings		Thin fronts, wooden, wide/narrow alu frame fronts, mitred and rebated applications	Height 350–800 Width up to 1800
HL		Wall cabinet, tall cabinet (if space) within reaching height, used to conceal appliances, cabinets can be positioned above		Thin fronts, wooden, wide/narrow alu frame fronts, mitred and rebated applications	Height 300–580 Width up to 1800
HK top		Wall cabinet, tall cabinet, above fridge, larder unit, oven		Thin fronts, wooden, wide/narrow alu frame fronts, mitred and rebated applications	Height 205–600 Width up to 1800
HK-S		Wall cabinet, tall cabinet, above fridge, larder unit, oven		Wooden, wide/narrow alu frame fronts	Height 180–600 Width up to 1800
HK-XS		Wall cabinet, tall cabinet, above fridge, larder unit, oven, extractor, bath	  On both sides	Wooden, wide/narrow alu frame fronts	Height 240–600 Width up to 1800

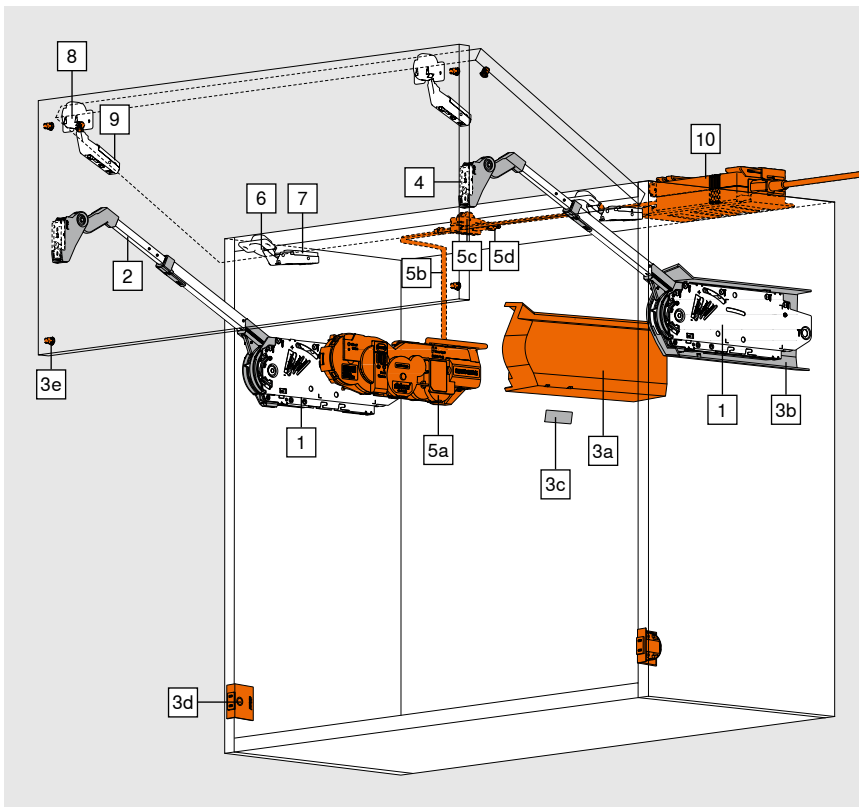


* You use the front weight and cabinet height to calculate the power factor of the lift mechanism. We would be happy to assist you with your product selection at www.blum.com/configurator



Mitred and rebated applications for AVENTOS HF, HS, HL, HK top www.blum.com/1H6LFu

Internal minimum depth in mm	Complete fitting or with hinges	Special installation or assembly	Available motion technology	Cover cap technology
278	Hinges on cabinet top panel required + connection of fronts	CLIP assembly Cabinet top panel assembly 3 lift mechanism types (symmetrical) 4 telescopic arms (symmetrical)	 	<input type="radio"/> Silk white <input type="radio"/> Light grey <input checked="" type="radio"/> Dark grey
276	No hinges required	CLIP assembly Cross stabilisation 9 lift mechanism types (symmetrical) 1 lever arm set	 	<input type="radio"/> Silk white <input type="radio"/> Light grey <input checked="" type="radio"/> Dark grey
278	No hinges required	CLIP assembly Cross stabilisation 5 lift mechanism types (symmetrical) 4 lever arm sets	 	<input type="radio"/> Silk white <input type="radio"/> Light grey <input checked="" type="radio"/> Dark grey
187	No hinges required	CLIP assembly 4 lift mechanism types (symmetrical) Lift mechanism adjustment from the front Integrated safety mechanism and opening angle stop	 	<input type="radio"/> Silk white <input type="radio"/> Light grey <input checked="" type="radio"/> Dark grey
163	No hinges required	CLIP assembly 3 lift mechanism types (symmetrical)	 	<input type="radio"/> Silk white <input type="radio"/> Light grey <input checked="" type="radio"/> Dark grey
125 (Special solution with 100 mm possible)	Hinges on cabinet top panel required	CLIP assembly Cabinet top panel assembly 3 lift mechanism types (symmetrical)	 	

Wooden fronts and wide alu frames symmetrical


- Ideal for high wall cabinets with two-part fronts
- Cabinet height 480–1040 mm
- Cabinet width up to 1800 mm
- Soft and effortless closing thanks to BLUMOTION
- Light operating forces
- Variable stop
- Tool-free assembly
- 3-dimensional adjustment of both fronts
- Simple, infinitely variable lift mechanism adjustment
- Centre hinge with finger safety feature

The larger front must be at the top for asymmetrical fronts.

i Power factor (LF) = cabinet height (KH) [mm] x front weight bottom and top incl. handle [kg]

- Standard
- SERVO-DRIVE

We recommend the more powerful lift mechanism for applications in overlapping ranges.

Ordering information

1	<input type="checkbox"/>	Lift mechanism set
		Power factor LF 2600–5500 (1 pc LF 960-2650) 20F2200.05 5350–10150 20F2500.05 9000–17250 (3 pcs LF 13500-25900) 20F2800.05
Consisting of:		
1	2 x	Symmetrical lift mechanism
-	8 x	Chipboard screws Ø 4 x 35 mm

3	<input type="checkbox"/>	Cover cap set						
		<table border="1"> <thead> <tr> <th>Colour</th> <th>Material</th> <th></th> </tr> </thead> <tbody> <tr> <td>HGR, SW, TGR</td> <td>Nylon</td> <td>20F8020</td> </tr> </tbody> </table>	Colour	Material		HGR, SW, TGR	Nylon	20F8020
Colour	Material							
HGR, SW, TGR	Nylon	20F8020						
Consisting of:								
-	1 x	Cover cap left						
3b	1 x	Cover cap right						
3c	2 x	Branding element, embossed with Blum logo IN-G						

2	<input checked="" type="checkbox"/>	Telescopic arm set
		Cabinet height KH (mm)¹ 480–570 20F3200.01 560–710 20F3500.01 700–900 20F3800.01 760–1040 20F3900.01
Consisting of:		
2	2 x	Symmetrical telescopic arm
¹ For asymmetrical fronts, theoretical cabinet height TKH = front height top FHo (mm) x 2 + gaps		

3	<input checked="" type="checkbox"/>	Cover cap set for SERVO-DRIVE						
		<table border="1"> <thead> <tr> <th>Colour</th> <th>Material</th> <th></th> </tr> </thead> <tbody> <tr> <td>HGR, SW, TGR</td> <td>Nylon</td> <td>21F8020</td> </tr> </tbody> </table>	Colour	Material		HGR, SW, TGR	Nylon	21F8020
Colour	Material							
HGR, SW, TGR	Nylon	21F8020						
Consisting of:								
3a	1 x	SERVO-DRIVE cover cap left						
3b	1 x	Cover cap right						
3c	2 x	Branding element, embossed with Blum logo IN-G						
3d	2 x	SERVO-DRIVE switch						
3e	6 x	Blum distance bumper Ø 5 mm						

Wooden fronts and wide alu frames symmetrical

Ordering information

4		Mounting plate for telescopic arm	
		Fixing method	Spacing (mm)
		Screw-on ²	0
		EXPANDO	0
		Knock-in	0

175H3100
177H3100E
177H3100

All horizontal steel mounting plates with 0 mm spacing possible

5		SERVO-DRIVE set	
		Colour	Material
		R7037	Nylon

21FA000

Consisting of:

5a	1 x	Drive unit
5b	1 x	Distribution cable, 1500 mm
5c	1 x	Connecting node
5d	2 x	Cable end protector

We recommend using two synchronised drive units for three lift mechanisms or more

6		CLIP top 120° hinge	
		Boss	Spring
		INSERTA	Unsprung
		Screw-on ²	Unsprung

70T5590BTL
70T5550.TL

Boss overlay TO (fixed dimension) 11 mm

3 hinges starting at cabinet width KB 1200 mm and/or 12 kg front weight

4 hinges for cabinet width KB 1800 mm and/or starting at 20 kg front weight

Alternative

6		CLIP top 120° special hinge for larger front overlay	
		Boss	Spring
		INSERTA	Unsprung
		Screw-on ²	Unsprung

72T5590BTL
72T5550.TL

Boss overlay TO (fixed dimension) 13 mm

3 hinges starting at cabinet width KB 1200 mm and/or 12 kg front weight

4 hinges for cabinet width KB 1800 mm and/or starting at 20 kg front weight

² Use 2 chipboard screws (609.1x00) per side for wooden fronts.
Use 2 counter sunk self tapping screws (660.0950) per side for wide alu frames.

7		Mounting plate for CLIP top 120° hinge	
		Fixing method	Spacing (mm)
		Screw-on ²	0
		EXPANDO	0
		Knock-in	0

175H3100
177H3100E
177H3100

Standard mounting plates, spacing depends on the upper front overlay

8		CLIP top centre hinge	
		Boss	Spring
		EXPANDO	Unsprung
		Screw-on ²	Unsprung

78Z553ET
78Z5500T

3 hinges starting at cabinet width KB 1200 mm and/or 12 kg front weight

4 hinges for cabinet width KB 1800 mm and/or starting at 20 kg front weight

9		Mounting plate for CLIP top centre hinge	
		Fixing method	Spacing (mm)
		Screw-on ²	0
		EXPANDO	0
		Knock-in	0

175H3100
177H3100E
177H3100

Standard mounting plates with 0 mm spacing

Only use cruciform mounting plates for wide alu frames under a 57 mm frame width

10		Blum transformer and accessories	
		See page 70	

Accessories

-		Opening angle stop	
		Opening angle	Colour
		104°	TGR
		83°	R7037

20F7051
20F7011

Colour	
HGR	Light grey
SW	Silk white
TGR	Dark grey
R7037	RAL 7037 dust grey
IN-G	In-mould brushed stainless steel

Wooden fronts and wide alu frames symmetrical

Planning

CLIP top 120° hinge

F Gap
 () CLIP top 120° special hinge

Drilling distance TB

MD	Front overlay FA (mm)												
	5	6	7	8	9	10	11	12	13	14	15	16	17
0										3	4	5	6
3							3	4	5	6			
6				3	4	5	6						
9	3	4	5	6									

MD Mounting plate spacing (mm)

The front overlay must always be 2 mm bigger for the CLIP top 120° special hinge.

CLIP top centre hinge

F Min. gap 1.5 mm
 * 37 mm for cruciform mounting plates (37/32)

Drilling distance TB

MD	Horizontal gap F between fronts (mm)					
	3	4	5	6		
0						
3	6	5	4	3		
6						
9						

MD Mounting plate spacing (mm)

Screw-on assembly

INSERTA | EXPANDO assembly

Wooden fronts and wide alu frames asymmetrical
Planning

Drilling position

SERVO-DRIVE

Theoretical cabinet height TKH (mm)	H (mm)
480–549	TKH x 0.3 - 28
550–1040	TKH x 0.3 - 57

4 x chipboard screws Ø 4 x 35 mm

Drilling for SERVO-DRIVE distribution cable, left only

* Drilling depth 5 mm

**Alternative drilling

Space requirement

SERVO-DRIVE

TKH = FHo (mm) x 2 + gaps

TKH Theoretical cabinet height

FHo Front height top

FHu Front height bottom

Opening angle stop	Y (mm)
Unsprung	FHo x 0.44 + 38
104°	FHo x 0.24 + 34
83°	0

FHo Front height top

The larger front must be at the top for asymmetrical fronts.

Front assembly

Theoretical cabinet height TKH (mm)	X (mm)	
480–549	177H3100 177H3100E 177H3100E10 177H5100 175H3100 175H4100	175H5400 177H5400E
480–549	FHo / 2 + 70	FHo / 2 + 68
550–1040	FHo / 2 + 47	FHo / 2 + 45

FHo Front height top

FHu Front height bottom

FAu Bottom front overlay

SFA Side front overlay

Wooden fronts and wide alu frames asymmetrical

Planning

CLIP top 120° hinge

F Gap
 () CLIP top 120° special hinge

Drilling distance TB

MD	Front overlay FA (mm)												
	5	6	7	8	9	10	11	12	13	14	15	16	17
0										3	4	5	6
3							3	4	5	6			
6				3	4	5	6						
9	3	4	5	6									

MD Mounting plate spacing (mm)

The front overlay must always be 2 mm bigger for the CLIP top 120° special hinge.

CLIP top centre hinge

F Min. gap 1.5 mm
 * 37 mm for cruciform mounting plates (37/32)

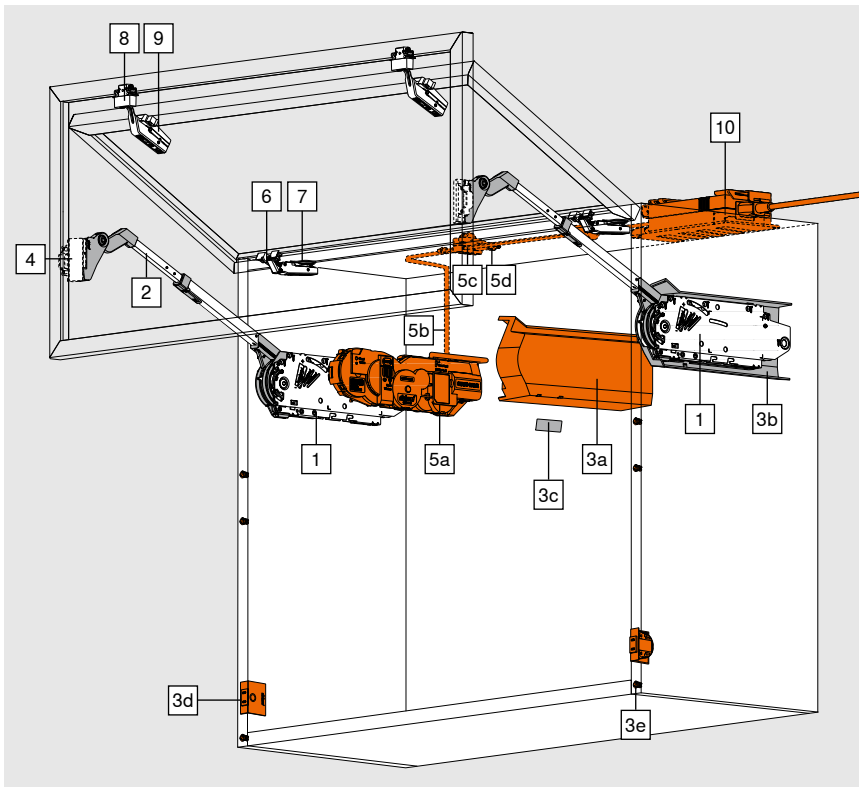
Drilling distance TB

MD	Horizontal gap F between fronts (mm)					
	3	4	5	6		
0						
3	6	5	4	3		
6						
9						

MD Mounting plate spacing (mm)

Screw-on assembly

INSERTA | EXPANDO assembly

Narrow alu frames


- Ideal for high wall cabinets with two-part fronts
- Cabinet height 480–1040 mm
- Cabinet width up to 1800 mm
- Soft and effortless closing thanks to BLUMOTION
- Light operating forces
- Variable stop
- Tool-free assembly
- 3-dimensional adjustment of both fronts
- Simple, infinitely variable lift mechanism adjustment
- Centre hinge with finger safety feature

The larger front must be at the top for asymmetrical fronts.



Power factor (LF) = cabinet height (KH) [mm] x front weight bottom and top incl. handle [kg]

- Standard
- SERVO-DRIVE

We recommend the more powerful lift mechanism for applications in overlapping ranges.

Ordering information

1	<input type="checkbox"/>	<input checked="" type="checkbox"/>	Lift mechanism set
	Power factor LF		
	2600–5500 (1 pc LF 960-2650)		20F2200.05
	5350–10150		20F2500.05
	9000–17250		20F2800.05
Consisting of:			
1	2 x	Symmetrical lift mechanism	
-	8 x	Chipboard screws Ø 4 x 35 mm	

3	<input type="checkbox"/>	<input checked="" type="checkbox"/>	Cover cap set
	Colour	Material	
	HGR, SW, TGR	Nylon	20F8020
Consisting of:			
-	1 x	Cover cap left	
3b	1 x	Cover cap right	
3c	2 x	Branding element, embossed with Blum logo	
		IN-G	

2	<input type="checkbox"/>	<input checked="" type="checkbox"/>	Telescopic arm set
	Cabinet height KH (mm)¹		
	480–570		20F3200.01
	560–710		20F3500.01
	700–900		20F3800.01
	760–1040		20F3900.01
Consisting of:			
2	2 x	Symmetrical telescopic arm	
¹ For asymmetrical fronts, theoretical cabinet height TKH = front height top FHo (mm) x 2 + gaps			

3	<input checked="" type="checkbox"/>	<input type="checkbox"/>	Cover cap set for SERVO-DRIVE
	Colour	Material	
	HGR, SW, TGR	Nylon	21F8020
Consisting of:			
3a	1 x	SERVO-DRIVE cover cap left	
3b	1 x	Cover cap right	
3c	2 x	Branding element, embossed with Blum logo	
		IN-G	
3d	2 x	SERVO-DRIVE switch	
3e	6 x	Blum distance bumper Ø 5 mm	

Narrow alu frames

Ordering information

4		CLIP adapter plate set for telescopic arms	
		Version	Spacing (mm)
		Left/right	0
			175H5B00

5		SERVO-DRIVE set	
		Colour	Material
		R7037	Nylon
			21FA000

Consisting of:

5a	1 x	Drive unit
5b	1 x	Distribution cable, 1500 mm
5c	1 x	Connecting node
5d	2 x	Cable end protector

6		CLIP top 120° aluminium frame door hinge	
		Boss	Spring
		Screw-on	Unsprung
			72T550A.TL

3 hinges starting at cabinet width KB 1200 mm and/or 12 kg front weight

4 hinges for cabinet width KB 1800 mm and/or starting at 20 kg front weight

7		Mounting plate for CLIP top 120° hinge	
		Fixing method	Spacing (mm)
		Screw-on	0
		EXPANDO	0
		Knock-in	0
			175H3100
			177H3100E
			177H3100

Standard mounting plates, spacing depends on the top gap

8		CLIP top aluminium centre hinge	
		Boss	Spring
		Screw-on	Unsprung
			78Z550AT

3 hinges starting at cabinet width KB 1200 mm and/or 12 kg front weight

4 hinges for cabinet width KB 1800 mm and/or starting at 20 kg front weight

9		CLIP adapter plate for centre hinges	
		Version	Spacing (mm)
		Symmetrical	0
			175H5A00

10		Blum transformer and accessories	
		See page 70	

Accessories

-		Opening angle stop	
		Opening angle	Colour
		104°	TGR
		83°	R7037
			20F7051
			20F7011

Colour	
HGR	Light grey
SW	Silk white
TGR	Dark grey
R7037	RAL 7037 dust grey
IN-G	In-mould brushed stainless steel

Narrow alu frames symmetrical/asymmetrical
Planning

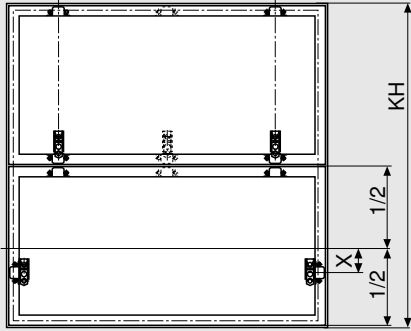
Narrow alu frames symmetrical		Space requirement	
Drilling position		Space requirement	
Cabinet height KH (mm)	H (mm)		
480-549	KH x 0.3 - 28	Opening angle stop	Y (mm)
550-1040	KH x 0.3 - 57	Unsprung	FHo x 0.44 + 38
4 x chipboard screws Ø 4 x 35 mm		104°	FHo x 0.24 + 34
Drilling for SERVO-DRIVE distribution cable, left only		83°	0
* Drilling depth 5 mm		FHo Front height top	
**Alternative drilling			
		KH Cabinet height	

Narrow alu frames asymmetrical		Space requirement	
Drilling position		Space requirement	
Theoretical cabinet height TKH (mm)	H (mm)		
480-549	TKH x 0.3 - 28	Opening angle stop	Y (mm)
550-1040	TKH x 0.3 - 57	Unsprung	FHo x 0.44 + 38
4 x chipboard screws Ø 4 x 35 mm		104°	FHo x 0.24 + 34
Drilling for SERVO-DRIVE distribution cable, left only		83°	0
* Drilling depth 5 mm		FHo Front height top	
**Alternative drilling		The larger front must be at the top for asymmetrical fronts.	
		TKH = FHo (mm) x 2 + gaps	
		TKH Theoretical cabinet height	
		FHo Front height top	
		FHu Front height bottom	

Narrow alu frames symmetrical/asymmetrical

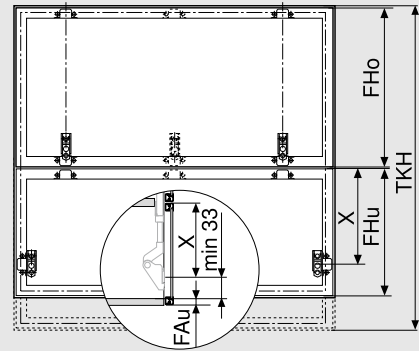
Planning

Narrow alu frames symmetrical
Front assembly



Cabinet height KH (mm)	X (mm)
480-549	54
550-1040	31

Narrow alu frames asymmetrical
Front assembly



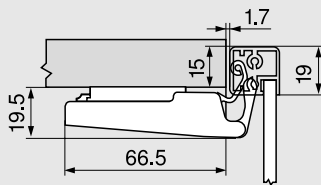
Theoretical cabinet height TKH (mm)	X (mm)
480-549	$FHo / 2 + 54$
550-1040	$FHo / 2 + 31$

FHo Front height top

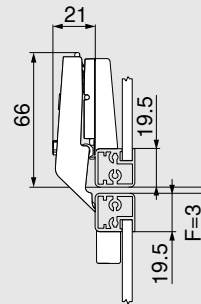
FHu Front height bottom

FAu Bottom front overlay

CLIP top 120° aluminium frame door hinge



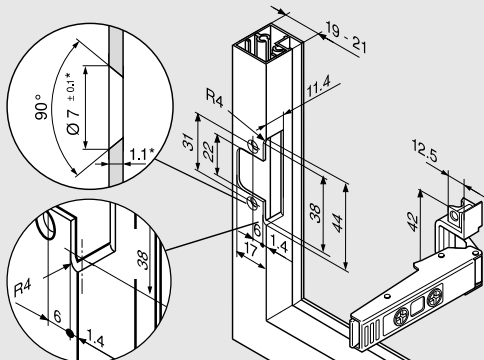
CLIP top aluminium centre hinge



F Min. gap 1.5 mm

The gap needs to be adjusted for frame thicknesses over 20.5 mm

Screw-on assembly (hinge/adapter plate)



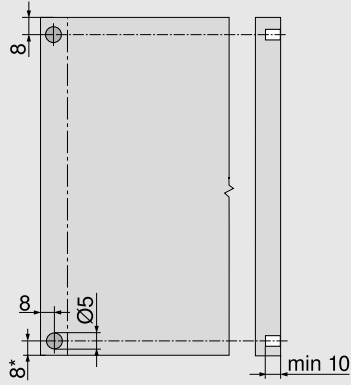
* When changing material thickness, adjust the assembly dimensions accordingly

Planning

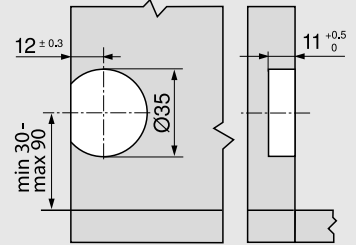
Blum distance bumper (SERVO-DRIVE application only)



Insert Blum distance bumper (do not glue)



SERVO-DRIVE switch



Recommendation for aluminium frames

Take into account the drilling for the Blum distance bumper in the cabinet side

A trial application must be carried out when fixing in the front

* From cabinet bottom edge for fronts that protrude below

Assembly and adjustment



Information on
assembly and
adjustment

www.blum.com/aventos-hf-assembly

Accessories

Hinge set – wooden fronts



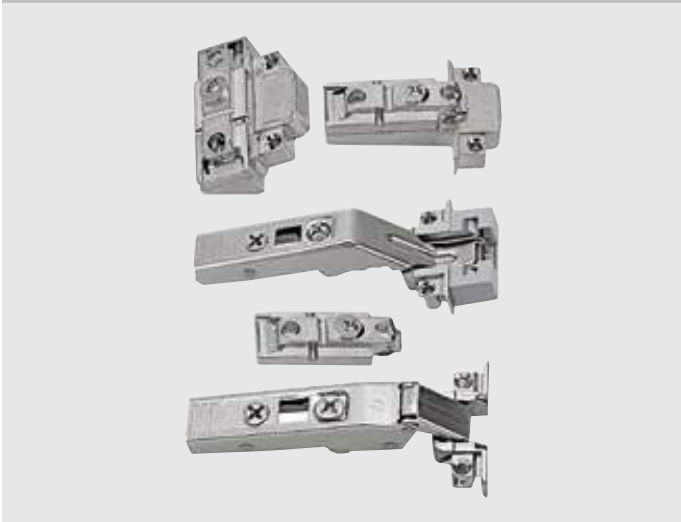
Ordering information	
Fixing method	
INSERTA Knock-in EXPANDO	
☎ 78Z5530T11	
Consisting of:	
2x	CLIP top 120° hinge unsprung 70T5590BTL
2 x	CLIP top centre hinge unsprung 78Z5530T
6 x	Horizontal cam mounting plate 177H3100

Hinge set – wooden fronts and wide alu frames

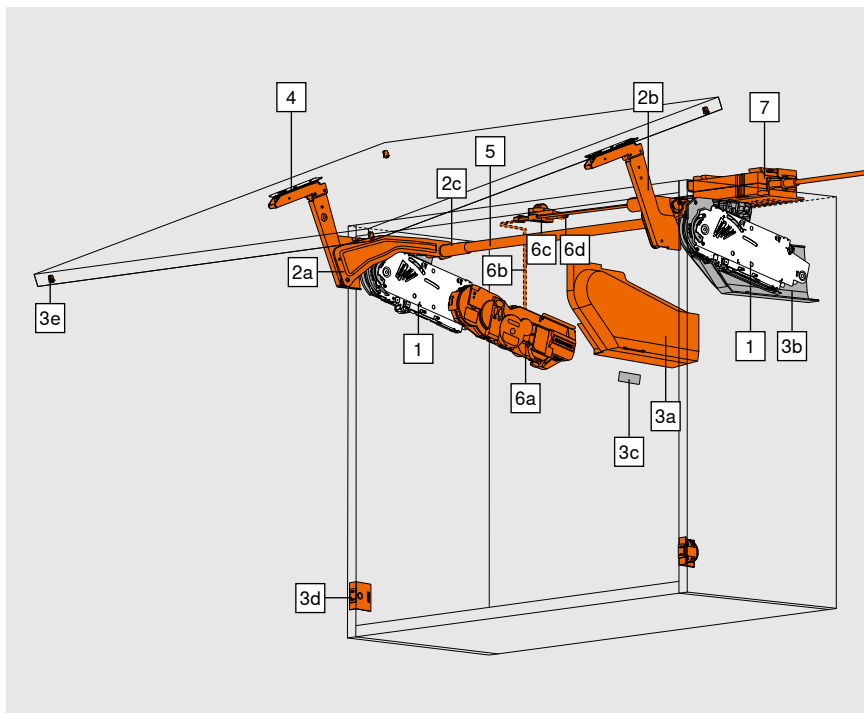


Ordering information	
Fixing method	
Screw-on ¹	
☎ 78Z5500T12	
Consisting of:	
2x	CLIP top 120° hinge unsprung 70T5550.TL
2 x	CLIP top centre hinge unsprung 78Z5500T
6 x	Horizontal cam mounting plate 175H3100
¹ Use chipboard screws (609.1x00) for wooden fronts. Use counter sunk self tapping screws (660.0950) for wide alu frames.	
For wide alu frames, an additional cruciform mounting plate is required for the CLIP top centre hinge	

Hinge set – narrow alu frames



Ordering information	
Fixing method	
Screw-on	
☎ 78Z550AT11	
Consisting of:	
2x	CLIP top 120° aluminium frame door hinge unsprung 72T550A.TL
2 x	CLIP top aluminium centre hinge unsprung 78Z550AT
2 x	Horizontal cam mounting plate 175H5400
2 x	CLIP adapter plate symmetric 175H5A00
2 x	CLIP adapter plate left/right 175H5B00



- Ideal for large, one-part fronts
- Cabinet height 350–800 mm
- Cabinet width up to 1800 mm
- Soft and effortless closing thanks to BLUMOTION
- Light operating forces
- Balanced, top quality motion with a variable stop
- Tool-free assembly
- 3-dimensional front adjustment
- Simple, infinitely variable lift mechanism adjustment

Standard
 SERVO-DRIVE

Ordering information

1 <input type="checkbox"/> <input checked="" type="checkbox"/> Lift mechanism set											
KH (mm)	Cabinet height KH 350-525 mm			KH (mm)	Cabinet height KH 526-675 mm			KH (mm)	Cabinet height KH 676-800 mm		
	20S2A00.05	20S2B00.05	20S2C00.05		20S2D00.05	20S2E00.05	20S2F00.05		20S2G00.05	20S2H00.05	20S2I00.05
	Weight of front incl. handle (kg)				Weight of front incl. handle (kg)				Weight of front incl. handle (kg)		
350	2.00–5.00	4.50–9.50	9.25–10.50	526	3.00–6.75	6.25–13.00	12.00–16.50	676	3.50–8.00	7.00–13.50	13.00–21.50
355	2.00–4.75	4.50–9.50	9.25–10.50	530	3.00–6.75	6.25–12.75	11.75–16.75	680	3.50–8.00	7.00–13.50	13.00–21.50
360	2.00–4.75	4.50–9.50	9.25–10.75	535	3.00–6.75	6.25–12.75	11.75–16.75	685	3.50–8.00	7.00–13.25	12.75–21.50
365	2.00–4.75	4.50–9.25	9.00–11.00	540	3.00–6.50	6.00–12.75	11.75–17.00	690	3.50–7.75	6.75–13.25	12.75–21.50
370	2.00–4.75	4.50–9.25	9.00–11.00	545	3.00–6.50	6.00–12.50	11.50–17.25	695	3.50–7.75	6.75–13.25	12.50–21.50
375	2.00–4.75	4.50–9.25	9.00–11.25	550	3.00–6.50	6.00–12.50	11.50–17.25	700	3.50–7.75	6.75–13.25	12.50–21.50
380	2.00–4.75	4.50–9.25	9.00–11.25	555	3.00–6.50	6.00–12.50	11.50–17.50	705	3.50–7.75	6.75–13.25	12.25–21.50
385	2.00–4.75	4.50–9.25	9.00–11.50	560	3.00–6.50	6.00–12.25	11.25–17.50	710	3.50–7.75	6.75–13.25	12.25–21.25
390	2.00–4.75	4.50–9.00	8.75–11.50	565	3.00–6.25	5.75–12.25	11.25–17.75	715	3.50–7.50	6.75–13.00	12.00–21.25
395	2.00–4.75	4.50–9.00	8.75–11.75	570	3.00–6.25	5.75–12.25	11.25–17.75	720	3.50–7.50	6.75–13.00	12.00–21.25
400	2.00–4.75	4.25–9.00	8.75–12.00	575	3.00–6.25	5.75–12.00	11.00–18.00	725	3.50–7.50	6.75–13.00	12.00–21.00
405	2.25–4.50	4.25–9.00	8.75–12.00	580	3.00–6.25	5.75–12.00	11.00–18.00	730	3.50–7.50	6.75–13.00	11.75–21.00
410	2.25–4.50	4.25–9.00	8.75–12.25	585	3.00–6.25	5.75–12.00	10.75–18.25	735	3.50–7.50	6.50–13.00	11.75–20.75
415	2.25–4.50	4.25–8.75	8.50–12.50	590	3.00–6.00	5.50–12.00	10.75–18.25	740	3.50–7.25	6.50–12.75	11.75–20.75
420	2.25–4.50	4.25–8.75	8.50–12.50	595	3.00–6.00	5.50–11.75	10.50–18.50	745	3.50–7.25	6.50–12.75	11.50–20.50
425	2.25–4.50	4.25–8.75	8.50–12.75	600	3.00–6.00	5.50–11.75	10.50–18.50	750	3.50–7.25	6.50–12.75	11.50–20.50
430	2.25–4.50	4.25–8.75	8.50–12.75	605	3.00–6.00	5.50–11.75	10.50–18.50	755	3.75–7.25	6.50–12.75	11.25–20.50
435	2.25–4.50	4.25–8.75	8.50–13.00	610	3.00–6.00	5.50–11.75	10.50–18.50	760	3.75–7.25	6.50–12.75	11.25–20.25
440	2.25–4.50	4.25–8.50	8.25–13.00	615	3.00–5.75	5.50–11.50	10.25–18.75	765	3.75–7.25	6.50–12.50	11.00–20.25
445	2.25–4.50	4.25–8.50	8.25–13.25	620	3.00–5.75	5.50–11.50	10.25–18.75	770	3.75–7.00	6.25–12.50	11.00–20.25
450	2.25–4.25	4.00–8.50	8.25–13.50	625	3.00–5.75	5.50–11.50	10.25–18.75	775	3.75–7.00	6.25–12.50	11.00–20.25
455	2.25–4.25	4.00–8.50	8.25–13.50	630	3.00–5.75	5.50–11.50	10.25–18.75	780	4.00–7.00	6.25–12.50	10.75–20.25
460	2.25–4.25	4.00–8.25	8.00–13.75	635	3.00–5.50	5.25–11.50	10.25–18.75	785	4.00–7.00	6.25–12.50	10.75–20.00
465	2.25–4.25	4.00–8.25	8.00–13.75	640	3.00–5.50	5.25–11.25	10.00–18.75	790	4.00–7.00	6.00–12.25	10.75–20.00
470	2.50–4.25	4.00–8.25	8.00–14.00	645	3.00–5.50	5.25–11.25	10.00–18.75	795	4.00–7.00	6.00–12.25	10.50–20.00
475	2.50–4.25	3.75–8.00	7.75–14.00	650	3.00–5.50	5.25–11.25	10.00–19.00	800	4.00–7.00	6.00–12.25	10.50–20.00
480	2.50–4.25	3.75–8.00	7.75–14.25	655	3.00–5.50	5.25–11.25	10.00–19.00				
485	2.50–4.25	3.75–8.00	7.75–14.25	660	3.00–5.50	5.25–11.25	10.00–19.00				
490	2.50–4.25	3.75–8.00	7.75–14.50	665	3.00–5.25	5.00–11.00	09.75–19.00				
495	2.50–4.25	3.75–7.75	7.50–14.50	670	3.00–5.25	5.00–11.00	09.75–19.00				
500	2.50–4.25	3.50–7.75	7.50–14.75	675	3.00–5.25	5.00–11.00	09.75–19.00				
505	2.50–4.00	3.50–7.75	7.50–14.75								
510	2.50–4.00	3.50–7.75	7.50–14.75								
515	2.50–4.00	3.50–7.50	7.25–14.75								
520	2.50–4.00	3.50–7.50	7.25–15.00								
525	2.50–4.00	3.25–7.50	7.25–15.00								

Example
 Cabinet height KH = 600 mm
 Weight of front = 10 kg
 Lift mechanism selection = 20S2E00.05
 Cabinet height KH = 602 mm → 600 mm
 Cabinet height KH = 603 mm → 605 mm

We recommend the more powerful lift mechanism for applications in overlapping ranges.

Consisting of:		
1	2 x	Symmetrical lift mechanism
-	10 x	Chipboard screws Ø 4 x 35 mm

Ordering information

2	<input type="checkbox"/>	Lever arm set		
	Colour	Material		
	Nickel plated	Steel		20S3500.06
Consisting of:				
2a	1 x	Lever arm left		
2b	1 x	Lever arm right		
2c	2 x	Cross stabiliser cover cap		

2	<input checked="" type="checkbox"/>	Lever arm set for SERVO-DRIVE		
	Colour	Material		
	Nickel plated	Steel		21S3500.01
Consisting of:				
2a	1 x	SERVO-DRIVE lever arm left		
2b	1 x	SERVO-DRIVE lever arm right		
2c	2 x	Cross stabiliser cover cap		

3	<input type="checkbox"/>	Cover cap set		
	Colour	Material		
	HGR, SW, TGR	Nylon		20S8020
Consisting of:				
-	1 x	Cover cap left		
3b	1 x	Cover cap right		
3c	2 x	Branding element, embossed with Blum logo		
		IN-G		

3	<input checked="" type="checkbox"/>	Cover cap set for SERVO-DRIVE		
	Colour	Material		
	HGR, SW, TGR	Nylon		21S8020
Consisting of:				
3a	1 x	SERVO-DRIVE cover cap left		
3b	1 x	Cover cap right		
3c	2 x	Branding element, embossed with Blum logo		
		IN-G		
3d	2 x	SERVO-DRIVE switch		
3e	4 x	Blum distance bumper Ø 5 mm		

3	<input type="checkbox"/>	Front fixing bracket set		
	Version			
	Wooden fronts and wide alu frames	¹		20S4200
	Narrow alu frames			20S4200A

¹ Use 4 chipboard screws (609.1x00) per side for wooden fronts.
Use 4 counter sunk self tapping screws (660.0950) per side for wide alu frames.

-	<input type="checkbox"/>	Front fixing bracket		
	Version			
	Thin fronts			20S42T1
EXPANDO T suitable for thin fronts – see page 68				

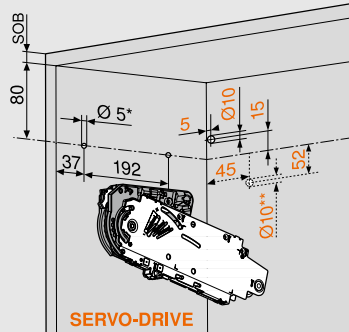
5	<input type="checkbox"/>	Round cross stabiliser rod		
	Diameter (mm)	Length (mm)		
	Ø 16	1061		20Q1061UN
For cutting to size				
Cutting	<input type="checkbox"/>	Internal cabinet width LW - 129 mm		
	<input checked="" type="checkbox"/>	Internal cabinet width LW - 164 mm		

-	<input type="checkbox"/>	Connecting piece set for cross stabiliser		
	From internal cabinet width LW 1190 mm			
	Diameter (mm)	Material		
	Ø 16	Aluminium		20Q153ZN
Consisting of:				
-	1 x	Connecting piece		
-	1 x	Fixing		
-	2 x	Cross stabiliser cover cap		
Cutting for 5	<input type="checkbox"/>	Internal cabinet width LW / 2 - 147 mm		
	<input checked="" type="checkbox"/>	Internal cabinet width LW / 2 - 165 mm		

6	<input checked="" type="checkbox"/>	SERVO-DRIVE set		
	Colour	Material		
	R7037	Nylon		21FA000
Consisting of:				
6a	1 x	Drive unit		
6b	1 x	Distribution cable, 1500 mm		
6c	1 x	Connecting node		
6d	2 x	Cable end protector		
We recommend one SERVO-DRIVE drive unit per set for connected fronts.				

7	<input checked="" type="checkbox"/>	Blum transformer and accessories		
See page 70				

Colour				
HGR	Light grey			
SW	Silk white			
TGR	Dark grey			
R7037	RAL 7037 dust grey			
IN-G	In-mould brushed stainless steel			

Planning
Drilling position

SERVO-DRIVE

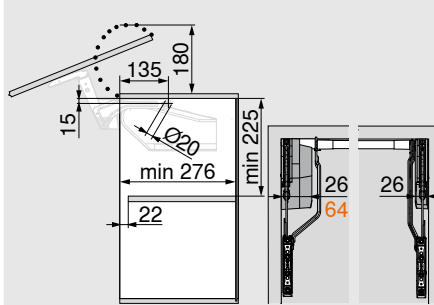
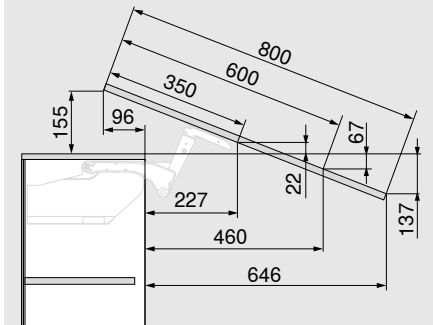
 5 x chipboard screws \varnothing 4 x 35 mm

Drilling for SERVO-DRIVE distribution cable, left only

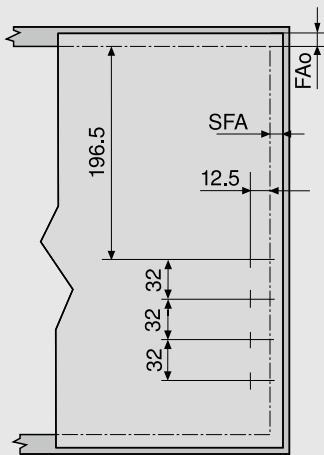
* Drilling depth 5 mm

**Alternative drilling

SOB Top panel thickness

Space requirement

SERVO-DRIVE


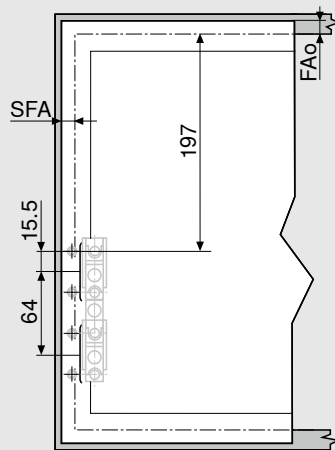
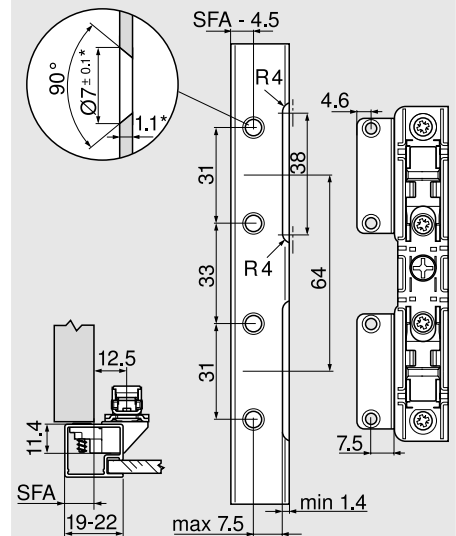
Dimensions depend on tilt adjustment

Front assembly
Wooden fronts and wide alu frames


Application adjacent to wall: requires 5 mm minimum gap

FAo Upper front overlay

SFA Side front overlay

Narrow alu frames

Narrow alu frames


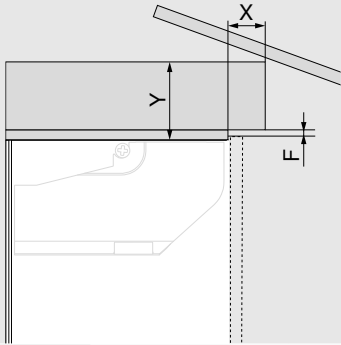
For frame width 19 mm, an SFA of 11-18 mm is possible.

* When changing material thickness, adjust the assembly dimensions accordingly

SFA Side front overlay

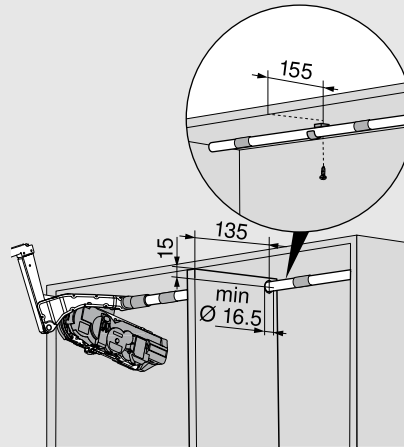
Planning

Space requirement –
Cornice|Crown moulding

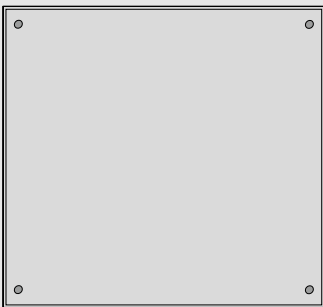


F (mm)	3.0	2.0	1.5
X max. (mm)	35	31	28
Y max. (mm)	101	101	101
F Gap			

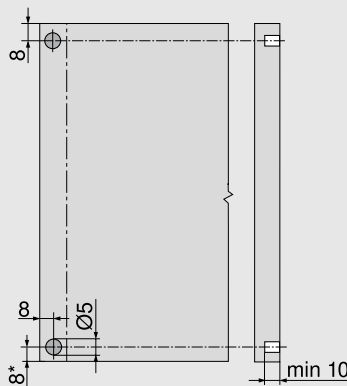
Connecting piece



Blum distance bumper (SERVO-DRIVE application only)



Insert Blum distance bumper (do not glue)



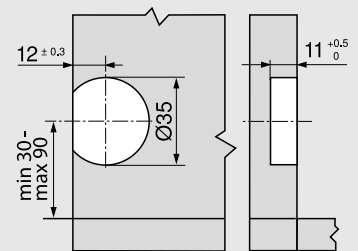
Recommendation for aluminium frames

Take into account the drilling for the Blum distance bumper in the cabinet side

A trial application must be carried out when fixing in the front

* From cabinet bottom edge for fronts that protrude below

SERVO-DRIVE switch

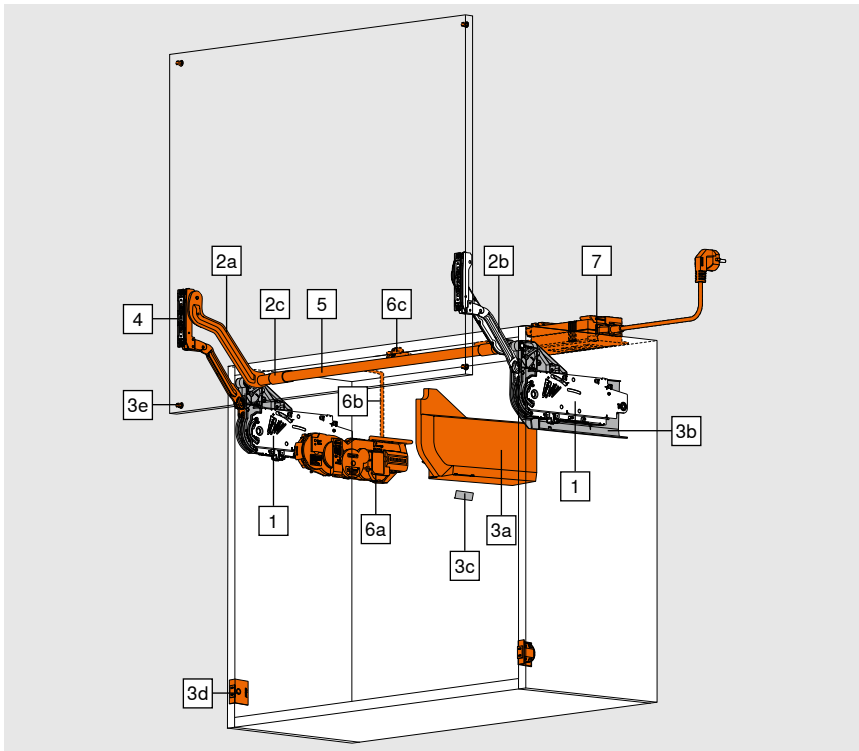


Assembly and adjustment



Information on
assembly and
adjustment

www.blum.com/aventos-hs-assembly



- Ideal for small, one-part fronts
- Cabinet height 300–580 mm
- Cabinet width up to 1800 mm
- Soft and effortless closing thanks to BLUMOTION
- Light operating forces
- Balanced, top quality motion with a variable stop
- Tool-free assembly
- 3-dimensional front adjustment
- Simple, infinitely variable lift mechanism adjustment

Standard
 SERVO-DRIVE

Ordering information

1	<input type="checkbox"/>	<input checked="" type="checkbox"/>	Lift mechanism set			
	Cabinet height KH (mm)					
	300–349	350–399	400–550	450–580		
	Lever arm set					
	<input type="checkbox"/>	20L3200.06	20L3500.06	20L3800.06	20L3900.06	
Weight of front incl. handle (kg)	<input checked="" type="checkbox"/>	21L3200.01	21L3500.01	21L3800.01	21L3900.01	
		1.25–4.25	1.25–2.50			20L2100.05
		3.50–7.25	1.75–5.00	1.75–3.50		20L2300.05
		6.50–12.00	4.25–9.00	2.75–6.75	2.00–5.25	20L2500.05
		11.00–20.00	8.00–14.75	5.75–11.75	4.25–9.25	20L2700.05
		13.50–20.00	10.50–20.00	8.25–16.50	20L2900.05	

We recommend the more powerful lift mechanism for applications in overlapping ranges.

Consisting of:


1	2 x	Symmetrical lift mechanism
-	10 x	Chipboard screws Ø 4 x 35 mm


2	<input type="checkbox"/>	Lever arm set
	Cabinet height KH (mm)	
	300–349	20L3200.06
	350–399	20L3500.06
	400–550	20L3800.06
	450–580	20L3900.06
Consisting of:		
-	1 x	Lever arm left
2b	1 x	Lever arm right
2c	2 x	Oval cross stabiliser cover cap

2	<input checked="" type="checkbox"/>	Lever arm set for SERVO-DRIVE
	Cabinet height KH (mm)	
	300–349	21L3200.01
	350–399	21L3500.01
	400–550	21L3800.01
	450–580	21L3900.01
Consisting of:		
2a	1 x	SERVO-DRIVE lever arm left
2b	1 x	Lever arm right
2c	2 x	Oval cross stabiliser cover cap


Ordering information

3	<input type="checkbox"/>	Cover cap set		
		Colour	Material	
		HGR, SW, TGR	Nylon	20L8020
Consisting of:				
-	1 x	Cover cap left		
3b	1 x	Cover cap right		
3c	2 x	Branding element, embossed with Blum logo		
		IN-G		

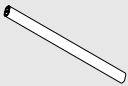
3	<input checked="" type="checkbox"/>	Cover cap set for SERVO-DRIVE		
		Colour	Material	
		HGR, SW, TGR	Nylon	21L8020
Consisting of:				
3a	1 x	SERVO-DRIVE cover cap left		
3b	1 x	Cover cap right		
3c	2 x	Branding element, embossed with Blum logo		
		IN-G		
3d	2 x	SERVO-DRIVE switch		
3e	4 x	Blum distance bumper Ø 5 mm		

3	<input type="checkbox"/>	<input checked="" type="checkbox"/>	Front fixing bracket set	
			Version	
			Wooden fronts and wide alu frames ¹	20S4200
			Narrow alu frames	20S4200A

¹ Use 4 chipboard screws (609.1x00) per side for wooden fronts.
Use 4 counter sunk self tapping screws (660.0950) per side for wide alu frames.

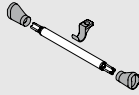
-	<input type="checkbox"/>	<input checked="" type="checkbox"/>	Front fixing bracket	
			Version	
			Thin fronts	20S42T1

EXPANDO T suitable for thin fronts – see page 68

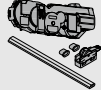
5	<input type="checkbox"/>	<input checked="" type="checkbox"/>	Oval cross stabiliser rod	
			Version	Length (mm)
			Oval	1061
				20Q1061UA

For cutting to size

Cutting	<input type="checkbox"/>	Internal cabinet width LW - 129 mm
	<input checked="" type="checkbox"/>	Internal cabinet width LW - 164 mm

-	<input type="checkbox"/>	<input checked="" type="checkbox"/>	Connecting piece set for cross stabiliser	
			From internal cabinet width LW 1190 mm	
			Diameter (mm)	Material
			Ø 16	Aluminium
				20Q153ZA

Consisting of:				
-	1 x	Connecting piece		
-	1 x	Fixing		
-	2 x	Cross stabiliser cover cap		
Cutting for 5				
		<input type="checkbox"/>	Internal cabinet width LW / 2 - 147 mm	
		<input checked="" type="checkbox"/>	Internal cabinet width LW / 2 - 165 mm	

6	<input checked="" type="checkbox"/>	SERVO-DRIVE set		
		Colour	Material	
		R7037	Nylon	21FA000

Consisting of:				
6a	1 x	Drive unit		
6b	1 x	Distribution cable, 1500 mm		
6c	1 x	Connecting node		
-	2 x	Cable end protector		

We recommend one SERVO-DRIVE drive unit per set for connected fronts.

7	<input checked="" type="checkbox"/>	Blum transformer and accessories	
		See page 70	

Colour	
HGR	Light grey
SW	Silk white
TGR	Dark grey
R7037	RAL 7037 dust grey
IN-G	In-mould brushed stainless steel

Planning

Drilling position

5 x chipboard screws $\text{Ø } 4 \times 35 \text{ mm}$

Drilling for SERVO-DRIVE distribution cable, left only

* Drilling depth 5 mm

**Alternative drilling

SOB Top panel thickness

Space requirement

Lever arm set		LH min. (mm) ¹	Y (mm) ¹	a (mm)	b (mm) ¹	c max. (mm)
Standard	SERVO-DRIVE					
20L3200.06	21L3200.01	262.0	264.0	114.0	257.0	159.0
20L3500.06	21L3500.01	312.0	352.0	146.0	345.0	209.0
20L3800.06	21L3800.01	362.0	440.0	178.0	433.0	259.0
20L3900.06	21L3900.01	412.0	529.0	210.0	522.0	309.5

¹ Dimensions based on bottom gap = 0 mm

KH Cabinet height

LH Internal cabinet height

Front assembly

Wooden fronts and wide alu frames

Narrow alu frames

Lever arm set		X (mm)
Standard	SERVO-DRIVE	
20L3200.06	21L3200.01	153
20L3500.06	21L3500.01	203
20L3800.06	21L3800.01	253
20L3900.06	21L3900.01	303

Application adjacent to wall: requires 5 mm minimum gap

FAo Upper front overlay

SFA Side front overlay

Narrow alu frames

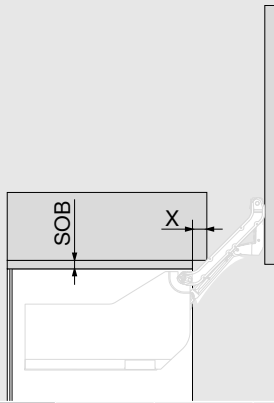
For frame width 19 mm, an SFA of 11–18 mm is possible.

* When changing material thickness, adjust the assembly dimensions accordingly

SFA Side front overlay

Planning

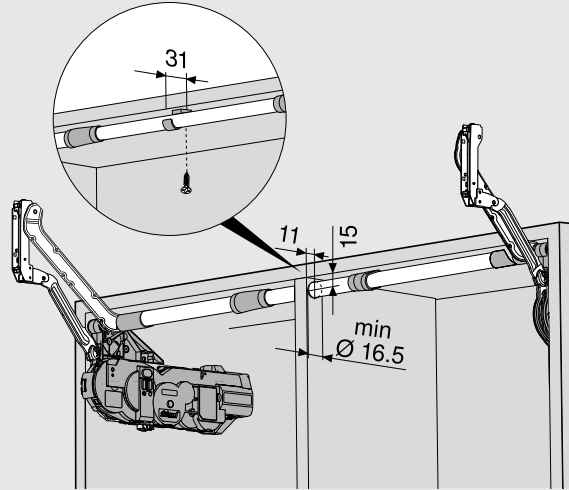
Space requirement – Cornice/Crown moulding



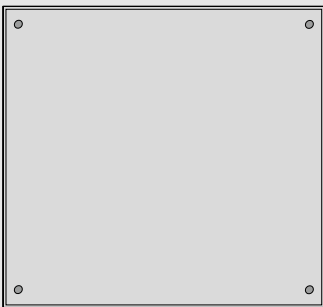
SOB (mm)	16	18	19
X (mm)	28	30	31

SOB Top panel thickness

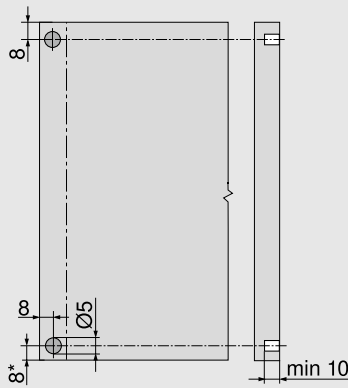
Connecting piece



Blum distance bumper (SERVO-DRIVE application only)



Insert Blum distance bumper (do not glue)



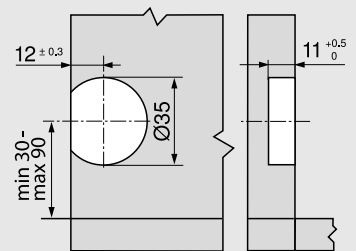
Recommendation for aluminium frames

Take into account the drilling for the Blum distance bumper in the cabinet side

A trial application must be carried out when fixing in the front

* From cabinet bottom edge for fronts that protrude below

SERVO-DRIVE switch

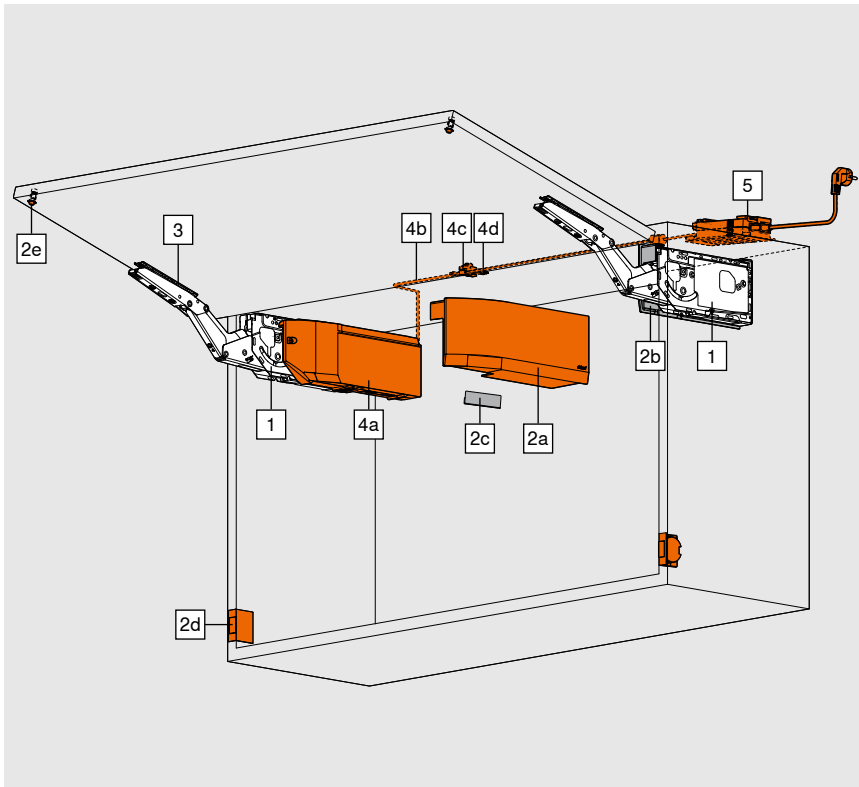


Assembly and adjustment



Information on assembly and adjustment

www.blum.com/aventos-hl-assembly



- Ideal for low cabinet heights in wall cabinets, in tall units and over the refrigerator
- Cabinet height 205–600 mm
- Cabinet width up to 1800 mm
- Soft and effortless closing thanks to BLUMOTION
- Light operating forces
- Balanced, top quality motion with a variable stop
- Tool-free assembly
- 3-dimensional front adjustment
- Simple, infinitely variable lift mechanism adjustment
- No hinges required
- Integrated safety mechanism
- Integrated infinitely variable opening angle stop

i Power factor (LF) = cabinet height (KH) [mm] x front weight incl. double handle weight [kg]

- Standard
- SERVO-DRIVE

We recommend the more powerful lift mechanism for applications in overlapping ranges.

Ordering information

1	<input type="checkbox"/>	<input checked="" type="checkbox"/>	Lift mechanism set		
	Fixing with pre-mounted system screws				
	LF	OW			
	420–1610	107°			22K2310
	930–2800	107°			22K2510
	1730–5200	107°			22K2710
3200–9000	107°			22K2910	

Consisting of:		
1	2 x	Symmetrical lift mechanism with pre-mounted system screws

1	<input type="checkbox"/>	<input checked="" type="checkbox"/>	Lift mechanism set		
	Fixing with chipboard screws with positioning system				
	LF	OW			
	420–1610	107°			22K2300
	930–2800	107°			22K2500
	1730–5200	107°			22K2700
3200–9000	107°			22K2900	

Consisting of:		
1	2 x	Symmetrical lift mechanism
-	-	Incl. positioning system
-	8 x	Chipboard screws Ø 4 x 35 mm

LF Power factor

OW Opening angle (infinitely variable adjustment)

Note

Max. front weight 18 kg if using two lift mechanisms.

The power factor (LF) can be increased by 50% if you use a third lift mechanism. We recommend a third lift mechanism for wide cabinets. This will prevent the front from sagging when open.

Ordering information

2	<input type="checkbox"/>	Cover cap set		
	Colour	Material		
	HGR, SW, TGR	Nylon	22K8000	
Consisting of:				
-	1 x	Cover cap left		
2b	1 x	Cover cap right		
2c	2 x	Branding element, embossed with Blum logo		
		IN-G		

2	<input checked="" type="checkbox"/>	Cover cap set for SERVO-DRIVE		
	Colour	Material		
	HGR, SW, TGR	Nylon	23K8000	
Consisting of:				
2a	1 x	SERVO-DRIVE cover cap left		
2b	1 x	Cover cap right		
2c	2 x	Branding element, embossed with Blum logo		
		IN-G		
2d	2 x	SERVO-DRIVE switch		
2e	2 x	Blum distance bumper Ø 5 mm		

3	<input checked="" type="checkbox"/>	Front fixing bracket set		
	Version			
	Wooden fronts and wide alu frames	¹	20S4200	
	Narrow alu frames		20S4200A	

¹ Use 4 chipboard screws (609.1x00) per side for wooden fronts.
Use 4 counter sunk self tapping screws (660.0950) per side for wide alu frames.

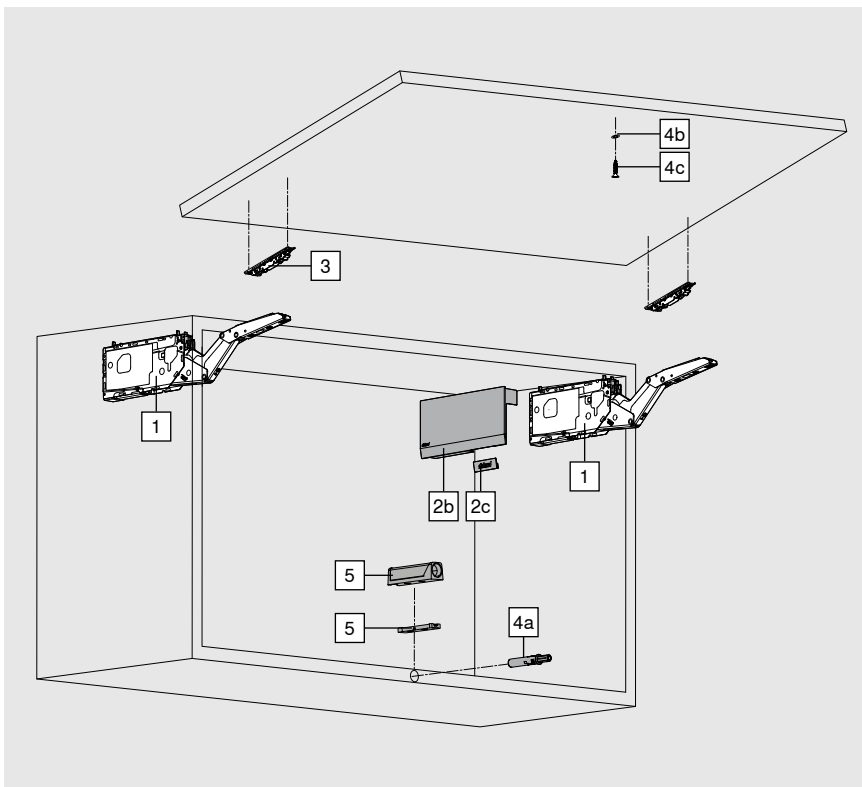
-	<input type="checkbox"/>	Front fixing bracket		
	Version			
	Thin fronts			20S42T1
EXPANDO T suitable for thin fronts – see page 68				

4	<input checked="" type="checkbox"/>	SERVO-DRIVE set		
	Colour	Material		
	R7037	Nylon	23KA000	

Consisting of:		
4a	1 x	Drive unit
4b	1 x	Distribution cable, 1500 mm
4c	1 x	Connecting node
4d	2 x	Cable end protector
We recommend using two synchronised drive units for three lift mechanisms or more		

5	<input checked="" type="checkbox"/>	Blum transformer and accessories
See page 70		

Colour	
HGR	Light grey
SW	Silk white
TGR	Dark grey
R7037	RAL 7037 dust grey
IN-G	In-mould brushed stainless steel



- TIP-ON for handle-less stay lifts
- Cabinet height 205-600 mm
- Cabinet width up to 1800 mm
- For drilling or in combination with adapter plates

i Power factor (LF) = cabinet height (KH) [mm] x front weight incl. double handle weight [kg]

■ TIP-ON

We recommend the more powerful lift mechanism for applications in overlapping ranges.

Ordering information

1	■	Lift mechanism set for TIP-ON		
Fixing with pre-mounted system screws				
		LF	OW	
		420–1610	107°	22K2310T
		930–2800	107°	22K2510T
		1730–5200	100°	22K2710T
		3200–9000	100°	22K2910T

1	■	Lift mechanism set for TIP-ON		
Fixing with chipboard screws with positioning system				
		LF	OW	
		420–1610	107°	22K2300T
		930–2800	107°	22K2500T
		1730–5200	100°	22K2700T
		3200–9000	100°	22K2900T

Consisting of:		
1	2 x	Symmetrical lift mechanism with pre-mounted system screws

Consisting of:		
1	2 x	Symmetrical lift mechanism
-	-	Incl. positioning system
-	8 x	Chipboard screws Ø 4 x 35 mm

LF Power factor

OW Opening angle (infinitely variable adjustment)

Note

Max. front weight 18 kg if using two lift mechanisms.

The power factor (LF) can be increased by 50% if you use a third lift mechanism. We recommend a third lift mechanism for wide cabinets. This will prevent the front from sagging when open.

Ordering information

2		Cover cap set		
		Colour	Material	
		HGR, SW, TGR	Nylon	22K8000
Consisting of:				
-	1 x	Cover cap left		
2b	1 x	Cover cap right		
2c	2 x	Branding element, embossed with Blum logo		
		IN-G		

3		Front fixing bracket set		
		Version		
		Wooden fronts and wide alu frames ¹		20S4200
		Narrow alu frames		20S4200A

¹ Use 4 chipboard screws (609.1x00) per side for wooden fronts.
Use 4 counter sunk self tapping screws (660.0950) per side for wide alu frames.

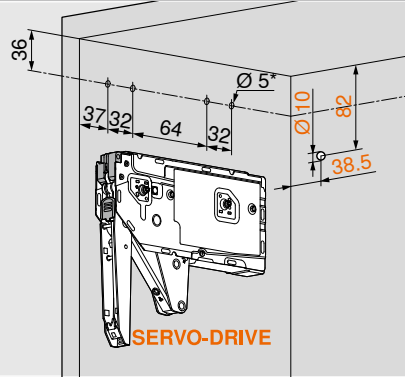
-		Front fixing bracket		
		Version		
		Thin fronts		20S42T1
EXPANDO T suitable for thin fronts – see page 68				

4		TIP-ON set		
		Version	Cabinet height KH (mm)	
		Short version	Up to 600	956.1004
		Colour		
		SW, TS, R7036		
Consisting of:				
4a	1 x	TIP-ON		
4b	1 x	Screw-on catch plate		
4c	1 x	Chipboard screw 609.1500		
-	1 x	Glue-on catch plate		

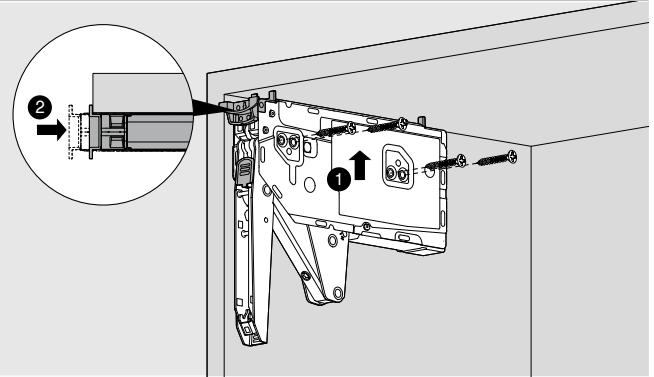
Accessories

5		Adapter plate		
		Version	Colour	
		Straight adapter plate Short version	SW, TS, R7036, NI-L	956.1201
		Cruciform adapter plate Long version	R7036	956A1501

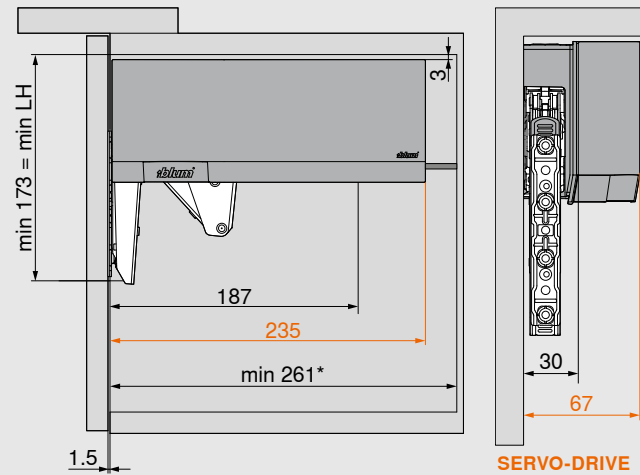
Colour	
HGR	Light grey
SW	Silk white
TGR	Dark grey
TS	Terra black
R7036	RAL 7036 platinum grey
NI-L	Nickel-lacquered
IN-G	In-mould brushed stainless steel

Planning
Drilling position
System screws


* Drilling depth 11.5 mm

Chipboard screws


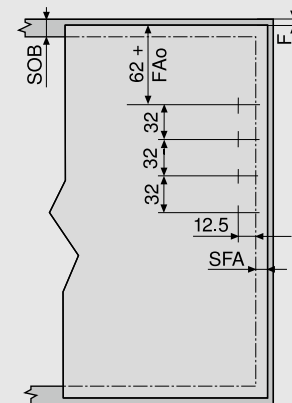
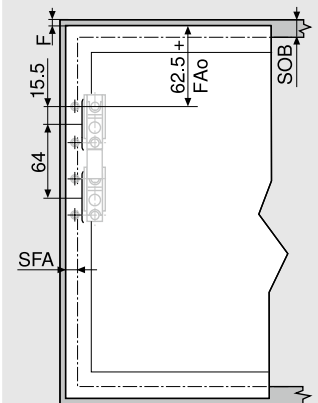
4 x chipboard screws Ø 4 x 35 mm

Space requirement


* Min. 261 mm with visible wall hanging bracket

Note: Cabinet height max. 600 mm

LH Internal cabinet height

Front assembly
Wooden fronts and wide alu frames

Narrow alu frames


FAo Max. 25.4 mm

FAo Upper front overlay

SOB Top panel thickness

SFA Side front overlay

F Gap

Further planning information for TIP-ON – see page 66

Planning

Narrow alu frames

For frame width 19 mm, an SFA of 11-18 mm is possible.

* When changing material thickness, adjust the assembly dimensions accordingly

SFA Side front overlay

**Space requirement –
Cornice|Crown moulding**

Space requirement (mm)

At max. opening angle

$$Y = FH \times 0.29 + FD - SOB$$

FD (mm)	16	19	22	26	28
X (mm)	68	57	47	33	27

SOB Top panel thickness
FD Front thickness
FH Front height

Minimum gap

Minimum gap MF is 2 mm

Blum distance bumper (SERVO-DRIVE application only)

Insert Blum distance bumper (do not glue)
Do not use bumpers in the upper third

Recommendation for aluminium frames

Take into account the drilling for the Blum distance bumper in the cabinet side

A trial application must be carried out when fixing in the front

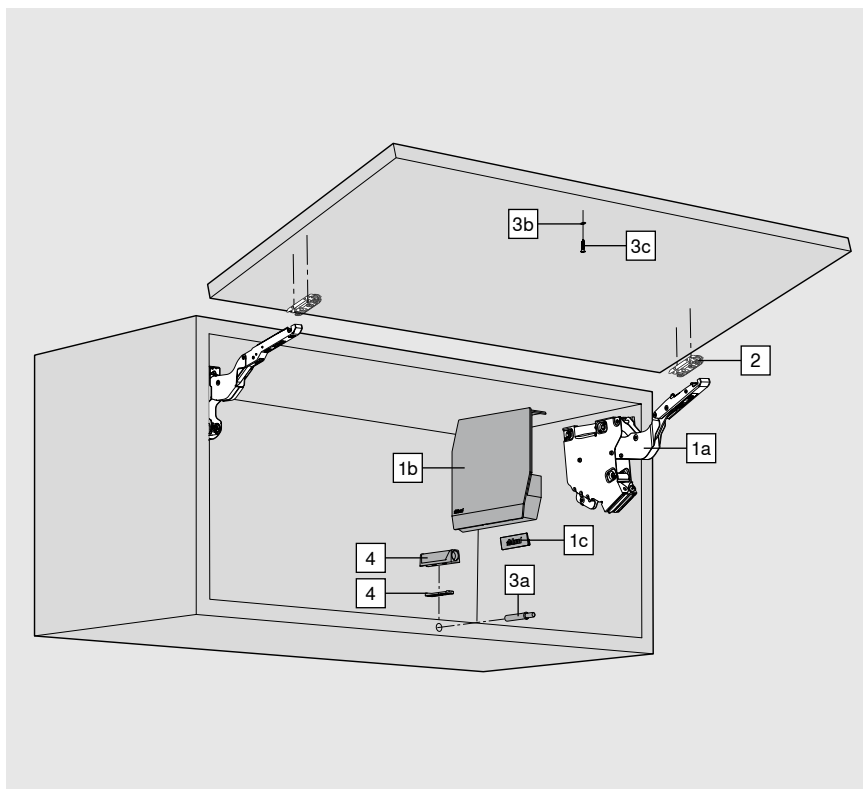
* From cabinet bottom edge for fronts that protrude below

SERVO-DRIVE switch

Assembly and adjustment

Information on assembly and adjustment

www.blum.com/hktopassembly



- Ideal for low cabinet heights in wall cabinets, in tall units and over the refrigerator
- Cabinet height max. 600 mm
- Soft and effortless closing thanks to BLUMOTION
- Light operating forces
- Balanced, top quality motion with a variable stop
- Tool-free assembly
- 3-dimensional front adjustment
- Simple, infinitely variable lift mechanism adjustment
- No hinges required
- TIP-ON for handle-less stay lifts



Power factor (LF) = cabinet height (KH) [mm] x front weight incl. double handle weight [kg]

- Standard
- TIP-ON

We recommend the more powerful lift mechanism for applications in overlapping ranges.

Ordering information

1	<input type="checkbox"/>	Lift mechanism set		
		LF	OW	
		220–500	107°	¹ 20K2B00.06
		400–1000	107°	20K2C00.06
		960–2215	107°	20K2E00.06
Consisting of:				
1a	2 x	Symmetrical lift mechanism		
1b	2 x	Cover caps left/right HGR, SW, TGR		
1c	2 x	Branding element, embossed with Blum logo IN-G		
-	6 x	Chipboard screw Ø 4 x 35 mm		

1	<input checked="" type="checkbox"/>	Lift mechanism set for TIP-ON		
		LF	OW	
		220–500	107°	¹ 20K2B00T06
		400–1000	107°	20K2C00T06
		960–2215	107°	20K2E00T06
Consisting of:				
1a	2 x	Symmetrical lift mechanism		
1b	2 x	Cover caps left/right HGR, SW, TGR		
1c	2 x	Branding element, embossed with Blum logo IN-G		
-	6 x	Chipboard screw Ø 4 x 35 mm		

LF Power factor

OW Opening angle (infinitely variable adjustment)

Note

The power factor (LF) can be increased by 50% if you use a third lift mechanism.

¹ One lift mechanism is unsprung

Ordering information

2		Front fixing bracket	
		Fixing method	Spacing (mm)
		Screw-on ²	0
		EXPANDO	0
		Knock-in	0
Wooden fronts and wide alu frames			2 x
All horizontal steel mounting plates with 0 mm spacing possible			
² Use 2 chipboard screws (609.1x00) for wooden fronts. Use 2 countersunk self tapping screws (660.0950) for wide alu frames.			

-		Front fixing bracket set	
		Version	
		Narrow alu frames	20K4A00A02

3		TIP-ON set	
		Version	Cabinet height KH (mm)
		Short version	Up to 600
		Colour	
		SW, TS, R7036	956.1004
Consisting of:			
3a	1 x	TIP-ON	
3b	1 x	Screw-on catch plate	
3c	1 x	Chipboard screw 609.1500	
-	1 x	Glue-on catch plate	

Accessories

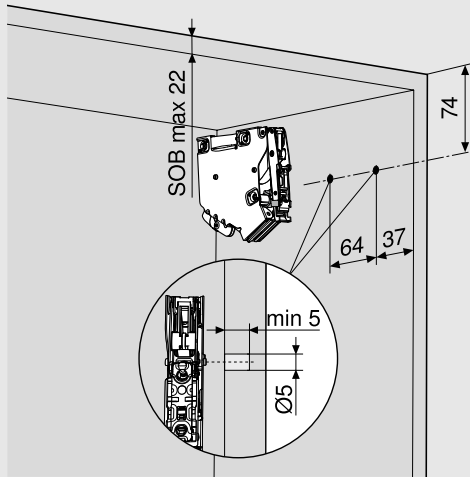
-		Opening angle stop	
		Opening angle	Colour
		100°	TGR
		75°	R7037
			20K7A41
			20K7A11

4		Adapter plate	
		Version	Colour
		Straight adapter plate Short version	SW, TS, R7036, NI-L
		Cruciform adapter plate Long version	R7036
			956.1201
			956A1501

Colour	
HGR	Light grey
SW	Silk white
TGR	Dark grey
TS	Terra black
R7036	RAL 7036 platinum grey
R7037	RAL 7037 dust grey
NI-L	Nickel-lacquered
IN-G	In-mould brushed stainless steel

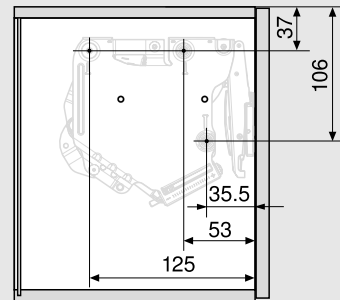
Planning

Peg position



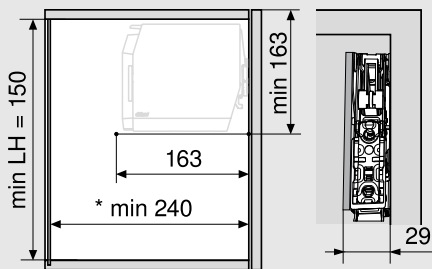
SOB Top panel thickness

Fixing position



3 x chipboard screws \varnothing 4 x 35 mm

Space requirement



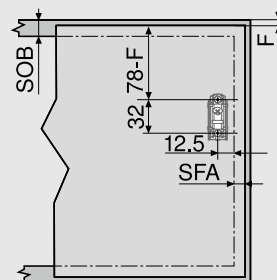
* Min. 240 mm with visible wall hanging bracket

Note: Cabinet height max. 600 mm

LH Internal cabinet height

Front assembly

Wooden fronts and wide alu frames

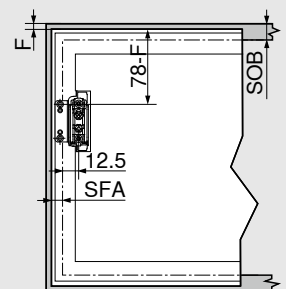


SOB Top panel thickness

SFA Side front overlay

F Gap

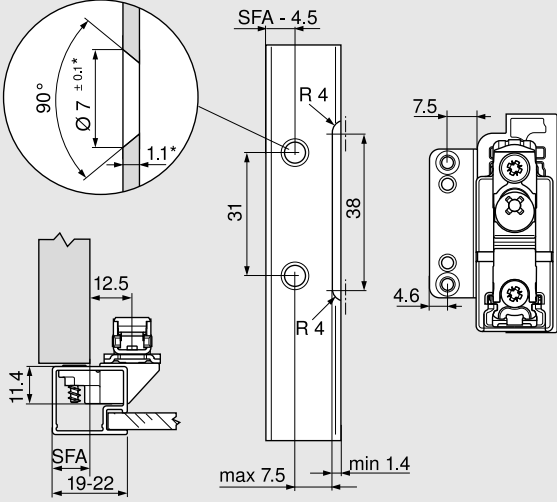
Narrow alu frames



Further planning information for TIP-ON – see page 66

Planning

Narrow alu frames

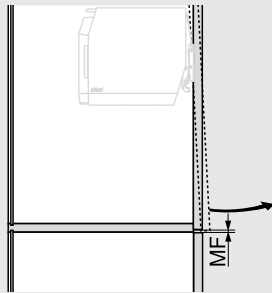


For frame width 19 mm, an SFA of 11-18 mm is possible.

* When changing material thickness, adjust the assembly dimensions accordingly

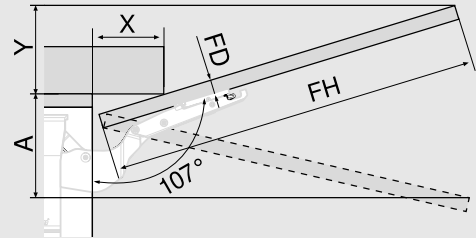
SFA Side front overlay

Minimum gap



Minimum gap MF is 2 mm

Space requirement – Cornice/Crown moulding



Opening angle stop

Space requirement (mm)

Unsprung $Y = FH \times 0.29 - 15 + FD$

100° $Y = FH \times 0.17 - 15 + FD$

75° $A = FH \times 0.26 + 15 - FD$

FD (mm)	16	19	22	26	-
X (mm)	70	59	49	35	-

FD Front thickness

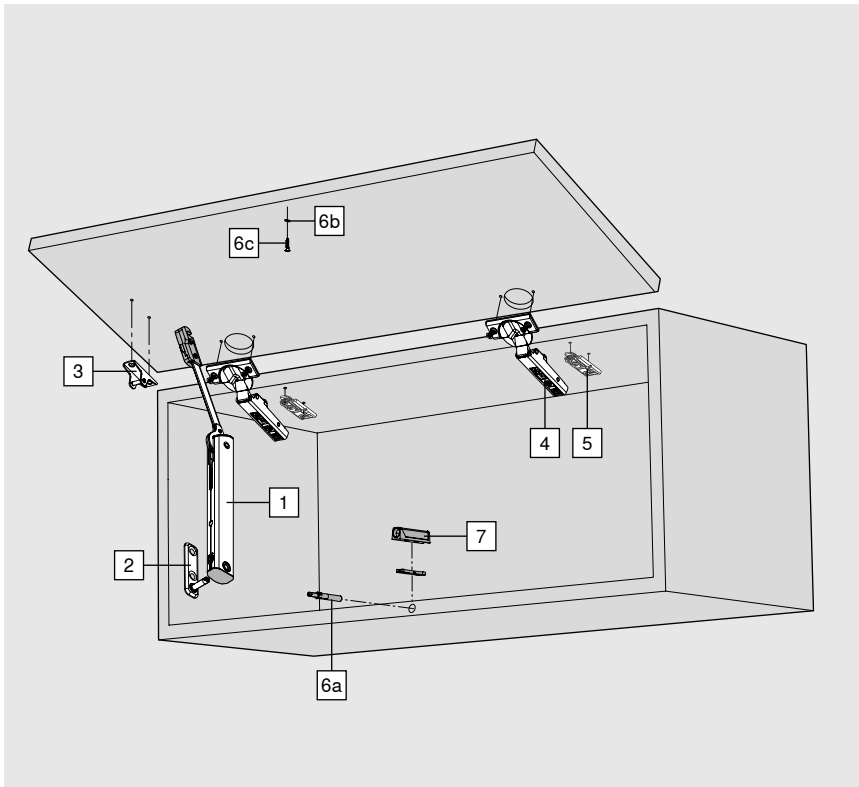
FH Front height

Assembly and adjustment



Information on assembly and adjustment

www.blum.com/aventos-hks-assembly



- Ideal for low cabinet heights in wall cabinets, in tall cabinets and over the refrigerator
- Cabinet height 240–600 mm
- Internal cabinet depth min. 125 mm
- An internal cabinet depth of 100 mm or more is possible if you use a special drilling position.
- Closes softly and effortlessly in conjunction with CLIP top BLUMOTION hinges
- TIP-ON for handle-less stay lifts with CLIP top unsprung hinges
- Light operating forces
- Balanced, top quality motion with a variable stop
- Simple, infinitely variable lift mechanism adjustment



Power factor (LF) = cabinet height (KH) [mm] x front weight incl. double handle weight [kg]

- Standard
- TIP-ON

A trial application is recommended where power factor ranges overlap.

Ordering information

1	<input type="checkbox"/>	Lift mechanism		
		LF	OW	
		200–1000	105°	20K1101
		500–1500	105° ¹	20K1301
		800–1800	105°	20K1501

1	<input checked="" type="checkbox"/>	Lift mechanism for TIP-ON		
		LF	OW	
		180–800	105°	20K1101T
		500–1200	105° ¹	20K1301T
		800–1600	105°	20K1501T

LF Power factor

OW Opening angle (infinitely variable adjustment)

Note

The power factor LF is doubled when used on both sides

¹ Hinges with smaller opening angles limit the opening angle

2	<input type="checkbox"/>	<input checked="" type="checkbox"/>	Cabinet fixing	
			Fixing method	
			Screw-on	20K5101
			EXPANDO	20K51E1

3	<input type="checkbox"/>	<input checked="" type="checkbox"/>	Front fixing bracket		
			Version	Fixing method	
			Wooden fronts and wide alu frames	Screw-on	20K4101
			Wooden fronts	EXPANDO ²	20K41E1
			Narrow alu frames	Screw-on	20K4101A

Ordering information

	4 <input type="checkbox"/> CLIP top BLUMOTION 110° hinge		
	Boss	Spring	
	INSERTA	With spring	71B3590
	Screw-on ²	With spring	71B3550
3 hinges starting at cabinet width KB 900 mm and/or power factor LF 1800			
4 hinges with cabinet width KB 1200 mm and/or starting at power factor LF 2700			
Alternative			
CLIP top BLUMOTION hinges: 107°, profile/thick door, 95°-aluminium frame door hinge or CLIP top hinges: 107°, profile/thick door, 95°-aluminium frame door hinge in combination with BLUMOTION 973A – to clip on or CLIP hinges: 100°			

	4 <input checked="" type="checkbox"/> CLIP top 110° hinge		
	Boss	Spring	
	INSERTA	Unsprung	70T3590.TL
	Screw-on ²	Unsprung	70T3550.TL
3 hinges starting at cabinet width KB 900 mm and/or power factor LF 1800			
4 hinges with cabinet width KB 1200 mm and/or starting at power factor LF 2700			
Alternative			
CLIP top hinges: 107°, profile/thick door, 95°-aluminium frame door hinge and/or CLIP 100° (each with unsprung hinge)			

	5 <input type="checkbox"/> <input checked="" type="checkbox"/> Mounting plate		
	Fixing method	Spacing (mm)	
	Screw-on ²	0	175H3100
	EXPANDO	0	177H3100E
Standard mounting plates, spacing depends on the top gap			

² Use 2 chipboard screws (609.1x00) per side for wooden fronts. Use 2 counter sunk self tapping screws (660.0950) per side for wide alu frames.

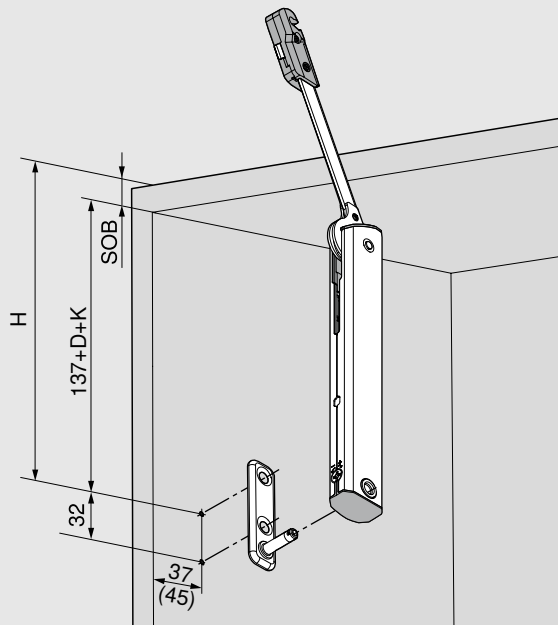
	6 <input checked="" type="checkbox"/> TIP-ON set		
	Version	Cabinet height KH (mm)	
	Short version	Up to 600	956.1004
Colour SW, TS, R7036			
Consisting of:			
6a	1 x	TIP-ON	
6b	1 x	Screw-on catch plate	
6c	1 x	Chipboard screw 609.1500	
-	1 x	Glue-on catch plate	

Accessories

	7 <input checked="" type="checkbox"/> Adapter plate		
	Version	Colour	
	Straight adapter plate Short version	SW, TS, R7036, NI-L	956.1201
	Cruciform adapter plate Long version	R7036	956A1501

	- <input type="checkbox"/> <input checked="" type="checkbox"/> Opening angle stop		
	Opening angle	Colour	
	86°	TGR	70T3553
For CLIP top BLUMOTION 110° CLIP top 110° hinge			

Colour	
HGR	Light grey
SW	Silk white
TGR	Dark grey
TS	Terra black
R7036	RAL 7036 platinum grey
NI-L	Nickel-lacquered

Planning
Drilling position


$$H = 137 + D + K + SOB$$

D Mounting plate spacing

K Cranking of the hinge arm

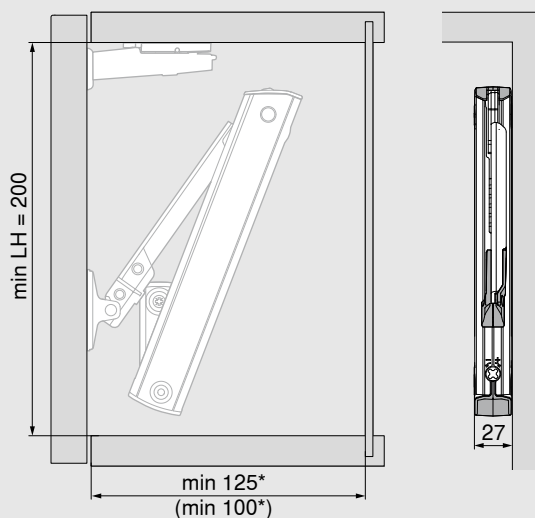
Horizontal hinge arm 0 mm

Cranked hinge arm 9.5 mm

Double cranked hinge arm 18 mm

SOB Top panel thickness

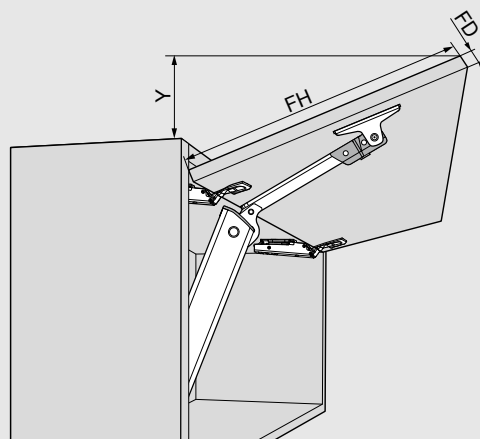
() Internal cabinet depth 100 mm

Space requirement


LH Internal cabinet height

* Min. 200 mm with visible wall hanging bracket

() Internal cabinet depth 100 mm


CLIP top BLUMOTION 110° hinge

$$Y = (FH - X) \times 0.3$$

FD (mm)	16	19	22	24
X (mm)	45	34	23	15

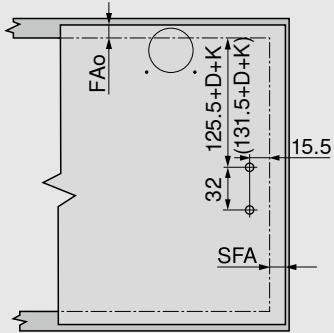
FD Front thickness

FH Front height

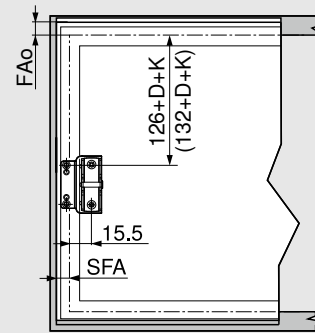
Planning

Front assembly

Wooden fronts and wide alu frames



Narrow alu frames



FAo Upper front overlay

SFA Side front overlay

D Mounting plate spacing

K Cranking of the hinge arm

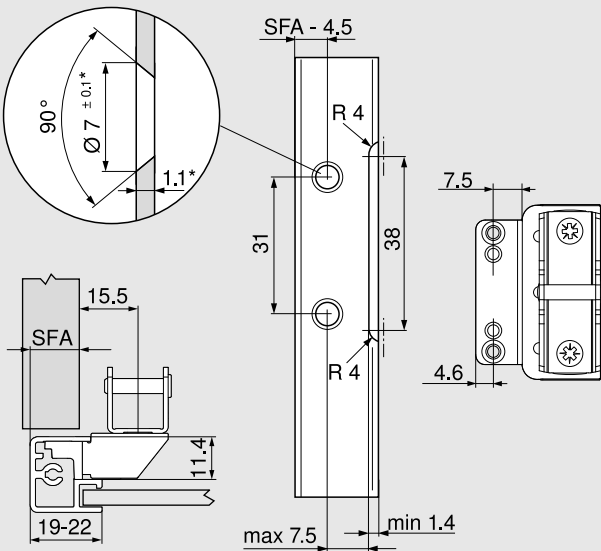
Horizontal hinge arm 0 mm

Cranked hinge arm 9.5 mm

Double cranked hinge arm 18 mm

() Internal cabinet depth 100 mm

Narrow alu frames

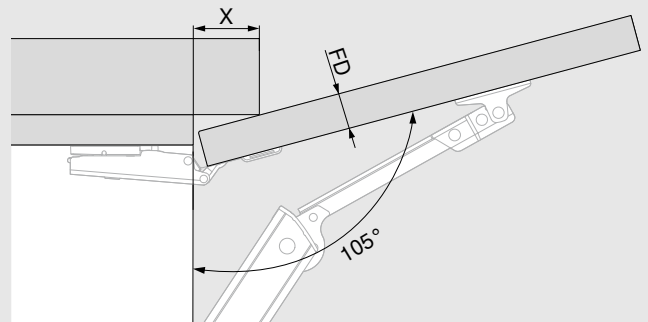


For frame width 19 mm, an SFA of 11-18 mm is possible.

* When changing material thickness, adjust the assembly dimensions accordingly

SFA Side front overlay

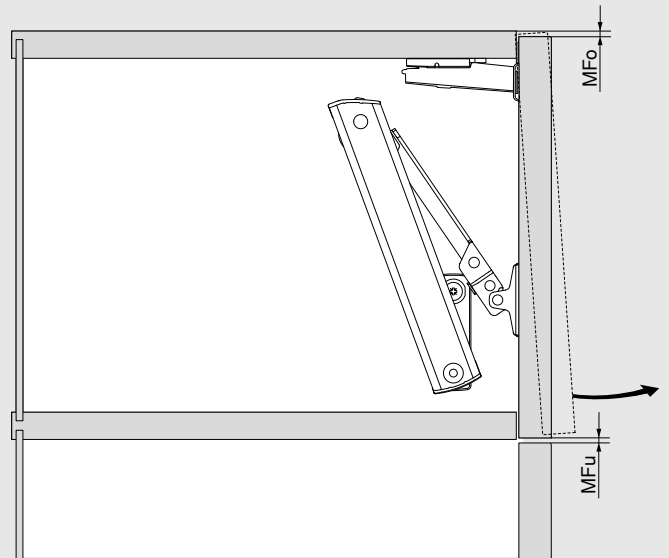
Space requirement – Cornice/Crown moulding



CLIP top BLUMOTION 110° hinge

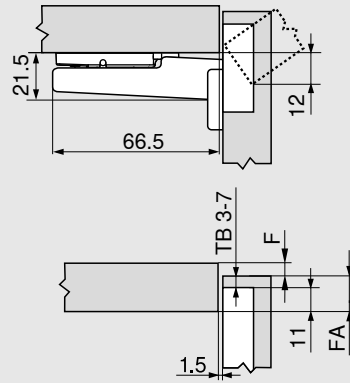
FD (mm)	16	19	22	24
X (mm)	45	34	23	15

FD Front thickness

Planning
Minimum gap


MFo Minimum gap at the top depending on the hinge used

MFu Minimum gap at the bottom 1.5 mm

Overlay application


F Gap

FA Front overlay

TB Drilling distance

Drilling distance TB

MD	Front overlay FA (mm)													
	5	6	7	8	9	10	11	12	13	14	15	16	17	18
0										3	4	5	6	7
3							3	4	5	6	7			
6				3	4	5	6	7						
9	3	4	5	6	7									

MD Mounting plate spacing (mm)

Further planning information for TIP-ON – see page 66

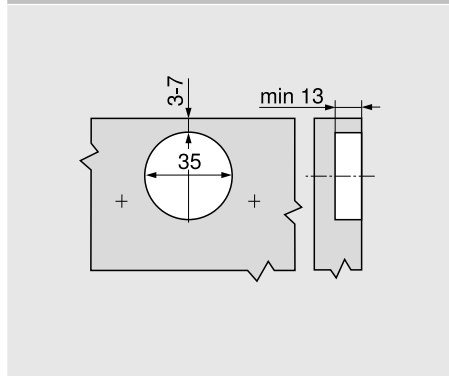
Planning

Minimum gap F for fronts with a front radius (R = 1 mm) based on the factory setting

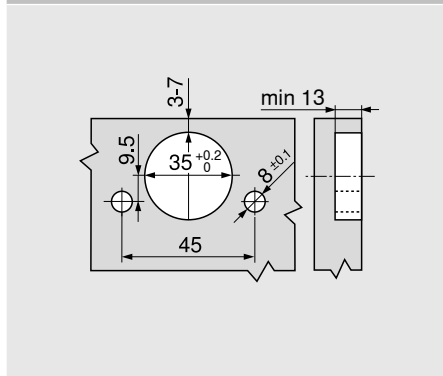
	Drilling distance TB (mm)	Front thickness FD (mm)											
		16	18	19	20	21	22	23	24	25	26	28	30
	3	0.5	0.8	1.0	1.2	1.5	1.8	2.2	2.7	3.5	4.3	Δ	Δ
	4	0.5	0.8	1.0	1.2	1.4	1.7	2.0	2.5	3.1	3.8	Δ	Δ
	5	0.5	0.8	0.9	1.2	1.4	1.7	2.0	2.4	2.9	3.4	Δ	Δ
	6	0.5	0.8	0.9	1.2	1.3	1.6	1.9	2.3	2.7	3.2	Δ	Δ
	7	0.5	0.8	0.9	1.1	1.3	1.6	1.9	2.2	2.6	3.0	Δ	Δ
	For +2 mm height adjustment, add:												
		+0.2	+0.4	+0.4	+0.5	+0.5	+0.5	+0.5	+0.5	+0.5	+0.5		

Δ A trial application is recommended

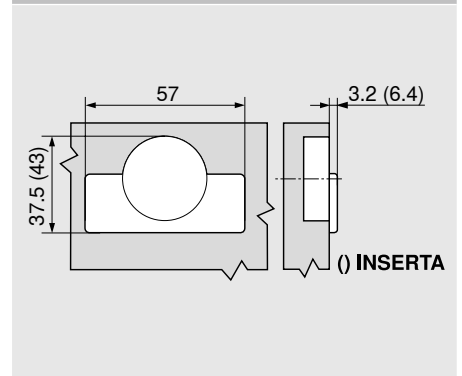
Screw-on assembly



INSERTA | Knock-in assembly



Hinge boss dimensions



Assembly and adjustment

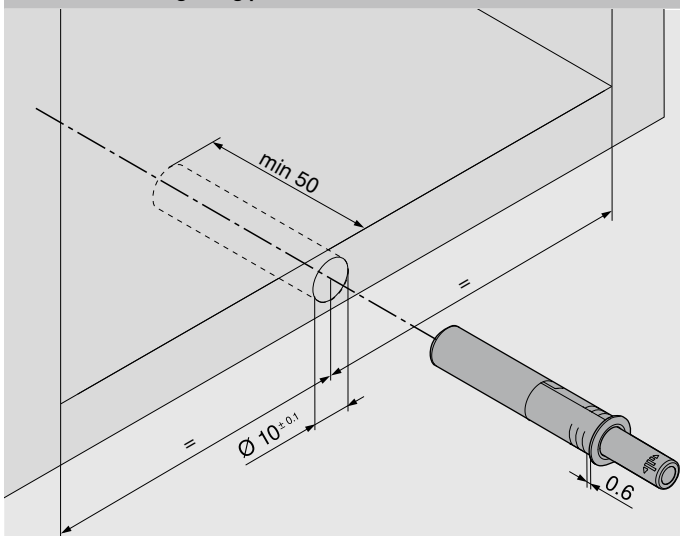


Information on assembly and adjustment

www.blum.com/aventos-hkxs-assembly

Planning

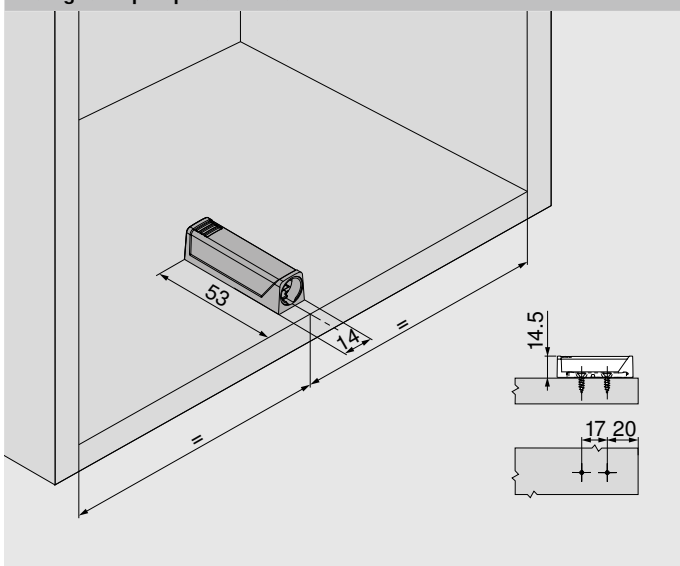
TIP-ON for drilling fixing position



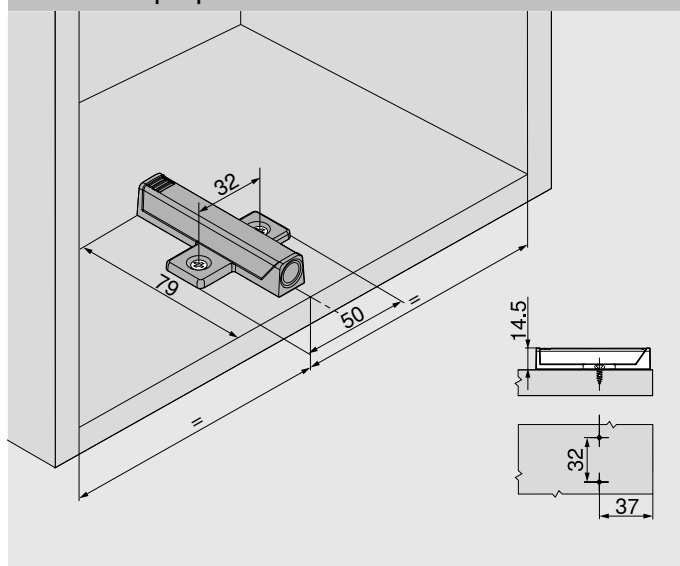
For stay lifts up to and including a height of 600 mm

TIP-ON adapter plate fixing position

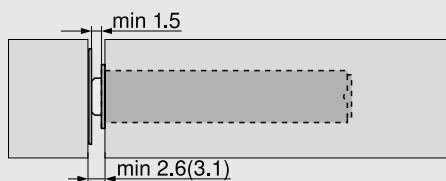
Straight adapter plate – short version



Cruciform adapter plate



Installation dimensions for front gap

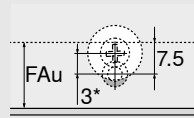
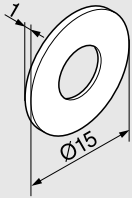


min. 2.6 mm with glue-on catch plate

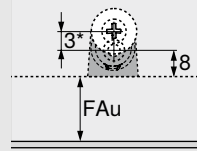
() min. 3.1 mm with screw-on catch plate

Planning

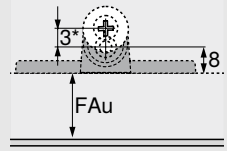
Screw-on catch plate planning



For drilling



Straight adapter plate

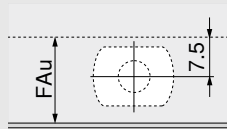
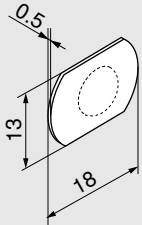


Cruciform adapter plate

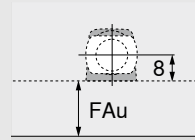
* For the screw-on catch plate we recommend positioning the catch plate 3 mm away from TIP-ON.

FAu Bottom front overlay

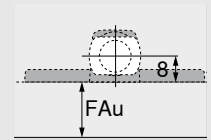
Glue-on catch plate planning



For drilling



Straight adapter plate



Cruciform adapter plate

FAu Bottom front overlay



- EXPANDO T – pre-assembled fixing system
- Thin fronts measuring 8 mm or more
- Different front materials
- 3 different applications –
lift systems | hinge systems | box systems

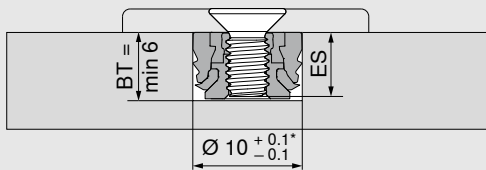
Front fixing bracket for AVENTOS HS | HL | HK top

	Version	Material	
	Symmetrical	Steel	20S42T1

Fixing positions as per the details in the respective planning information

EXPANDO T – single

	Colour	Material	
	TGR	Nylon/steel	70T4532T

Drilling depth | Screw selection – EXPANDO T


BT Drilling depth

ES Screw penetration depth

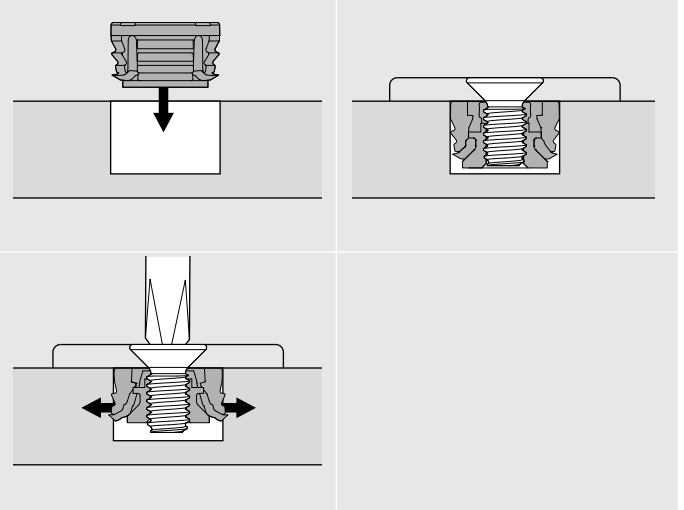
ES Min. 4 mm

ES Max. BT - 0.5 mm

* Stone and ceramic +0.2/-0.1 mm

Screws with M4 thread have to be used for EXPANDO T single

The lowest possible drilling depth should be selected for the single dowel depending on the screw length

Assembly – EXPANDO T

Area of application and assembly recommendation

EXPANDO T is suitable for fixing Blum fittings to thin cabinet fronts of all types of materials. Materials can be just 8 mm thick or more, provided they are sufficiently stable and strong.

Nm Minimum tightening torque

Materials tested by Blum

Material	Nm
Chipboard (transverse tensile strength > 0.4 N/mm ²)	1.5
MDF (transverse tensile strength > 0.6 N/mm ²)	1.5
HDF	2
HPL	2
Mineral composites	2
Granite stone – Nero Assoluto	3
Artificial stone – quartz composite	3
Ceramic panels	3

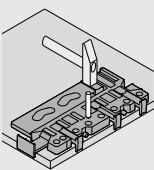
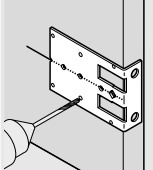
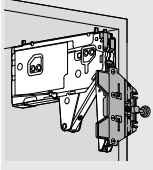
Liability disclaimer

Blum accepts no liability for the use of EXPANDO T in combination with materials not listed or fittings from other manufacturers. It is recommended that the assembly be carried out by an experienced furniture manufacturer.

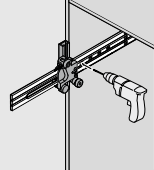
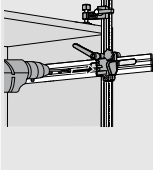
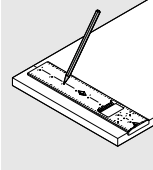


Information on assembly and adjustment
www.blum.com/expando-t-9

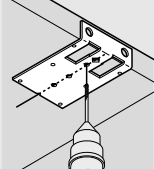
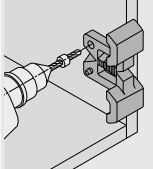
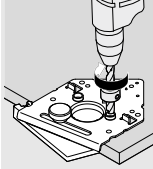
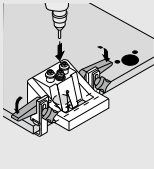
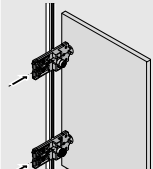
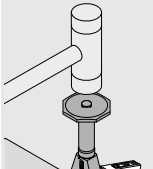
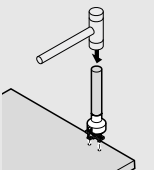
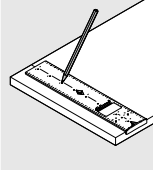
Front assembly

	Universal drilling template		Template		Marking template for AVENTOS HK top front fixing bracket
	ZML.0040.01		65.5300		ZML.2200

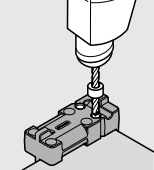
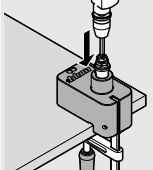
Cabinet assembly

	Universal individual template		Universal rod template		Universal marking template
	65.1051.02		65.1000.01		65.5340.01

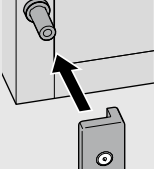
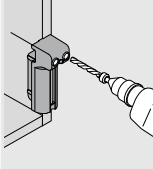
Assembly – Hinge systems

	Template		Drilling template for mounting plates		Drilling template for hinges
	65.5300		65.5070	Ø 8 mm Ø 2.5 mm	65.059A
				Ø 2.5 mm	65.055A
	ECODRILL		Drilling template for hinge systems		Knock-in tool for hinges
	M31.1000		65.7500.03		ZME.0710
	Knock-in tool for mounting plates		Universal marking template		
	Mounting plate				
	65.6100				
	Steel horizontal mounting plate				
	ZME.0730		65.5340.01		

Assembly – SERVO-DRIVE

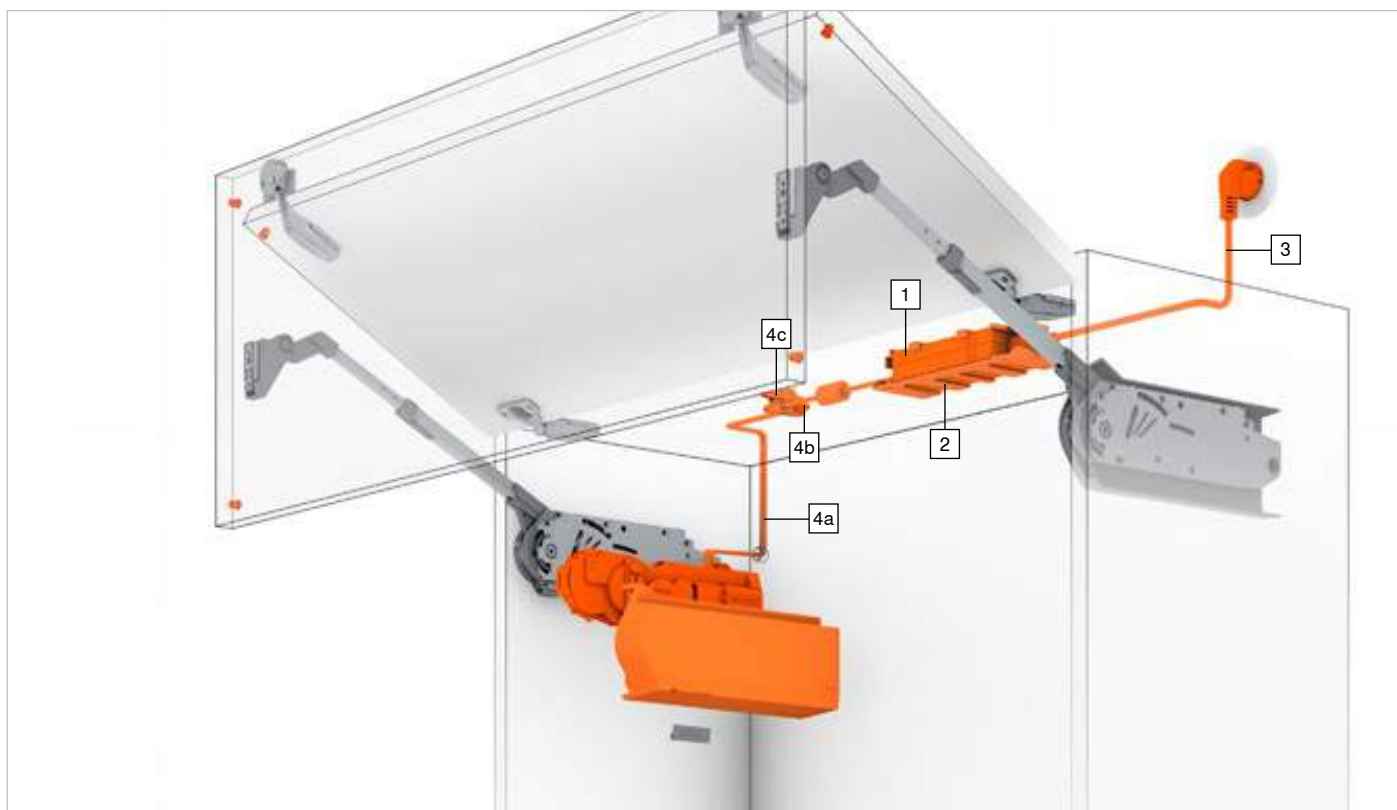
	Drilling template for Blum distance bumper		Drilling template for the SERVO-DRIVE switch		
	ZML.1090		M31.2000		

Assembly – TIP-ON

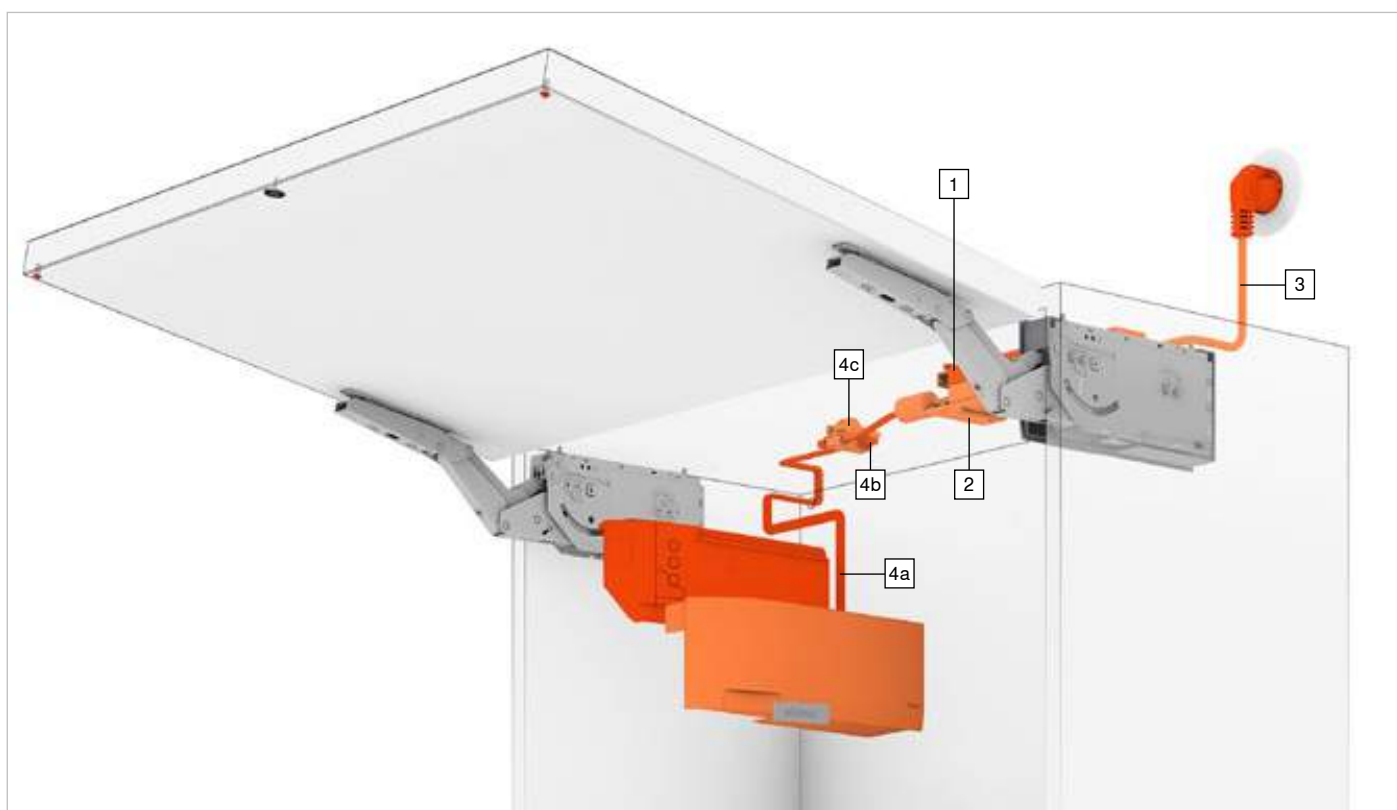
	Positioning template for catch plate		Drilling template for BLUMOTION TIP-ON		
	65.5210.01		65.5010		

Blum transformer and accessories

SERVO-DRIVE for AVENTOS HF, HS, HL



SERVO-DRIVE for AVENTOS HK top



Blum transformer and accessories

Ordering information

1	24-watt Blum transformer			
	Language package		Language package	
	A	Z10NE030A	F	Z10NE030F
	B	Z10NE030B	G	Z10NE030G
	C	Z10NE030C	H	Z10NE030H
	D	Z10NE030D	J	Z10NE030J
	E	Z10NE030E		
Includes operating and installation instructions				
Without flex				
Language package				
A	DE, EN, FR, IT, NL	F	BG, ET, LT, LV, RO, RU	
B	DA, EN, FI, NO, SV	G	EN, ES, FR	
C	EL, EN, HR, SL, SR, TR	H	EN, ZH	
D	EN, ES, FR, IT, PT	J	JA	
E	CS, HU, PL, SK			
Language descriptions as per ISO-639				

2	Transformer unit housing		
	Colour	Material	
	WGR	Nylon	Z10NG120
For 24-watt Blum transformer			

3	Flex			
	Market		Market	
	AR	Z10M200A	JP	Z10M200J
	UK	Z10M200B	AU	Z10M200K
	CH	Z10M200C	CL	Z10M200L
	DK	Z10M200D	CN	Z10M200N
	Europe	Z10M200E	BR	Z10M200S.01
	Europe ¹	Z10M200E.OS	TW	Z10M200T
	IN	Z10M200H	US, CA	Z10M200U
	IL	Z10M200I	ZA	Z10M200Z
¹ Without plug				

Colour	
WGR	White grey
S	Black
W	White

Alternative to 1, 2 and 3			
12-watt Blum plug-in transformer			
Only suitable for one drive unit			
	Power adapter (x)		
	E	B	K
	See the Information chapter of the Blum catalogue for a detailed market list.		
	Language packages (y)		
A	DE, EN, FR, IT, NL	E	CS, HU, SK, PL
B	DA, EN, FI, NO, SV	F	BG, ET, LT, LV, RO, RU
C	EL, EN, HR, SL, SR, TR	G	EN, ES, FR
D	EN, ES, FR, IT, PT		
Z10NA30xyF			
Consisting of:			
-	1 x	12-watt Blum plug-in transformer	
		Incl. cable, 1120 mm (with distribution cable extendible to max. 2000 mm)	
Other combinations available upon request			

Accessories

4	Distribution cable and cable end protector		
	Colour	Length (m)	
	S	8	Z10K800AE
Consisting of:			
4a	1 x	Distribution cable	
4b	5 x	Cable end protector	
Can be used as a distribution cable			
For cutting to size			

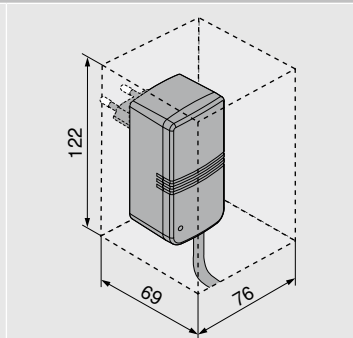
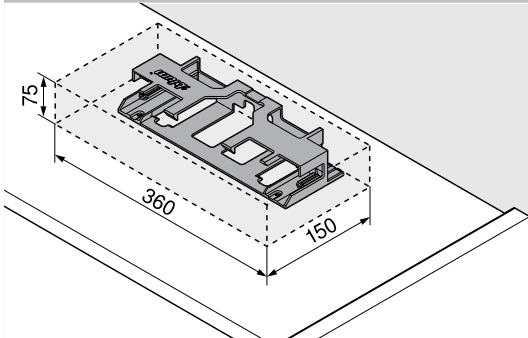
4	Connecting nodes and cable end protector		
	Colour	Material	
	S	Nylon	Z10V100E.01
Consisting of:			
4c	1 x	Connecting node	
4b	2 x	Cable end protector	

	Cable holder		
	Colour	Material	
W	Nylon	Z10K0009	
E.g. for fixing the distribution cable			

Blum transformer and accessories

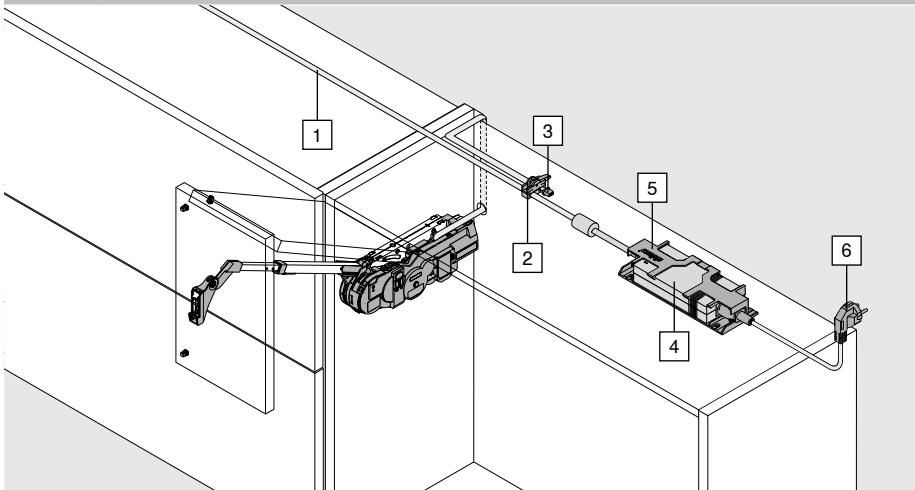
Planning

Space requirement and safety distance, Blum transformer unit housing and/or Blum plug-in transformer



i A safety distance of 30 mm must be maintained for air circulation (see graphic); otherwise, there is a risk that the Blum transformer or plug-in transformer could overheat.

Assembly on the cabinet top panel

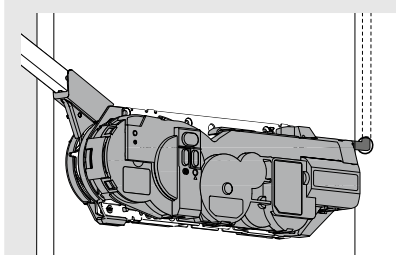


- 1 Distribution cable for cutting to size
- 2 Connecting node
- 3 Cable end protector
- 4 Blum transformer
- 5 Transformer unit housing
- 6 Flex

i Only one Blum transformer can be connected to each distribution cable.

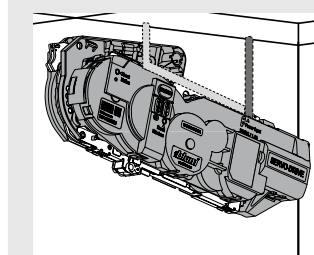
Back cabling

Recommended



Top cabling

Optional



Cabinet front edge to centre of drilled hole

HF 167 mm

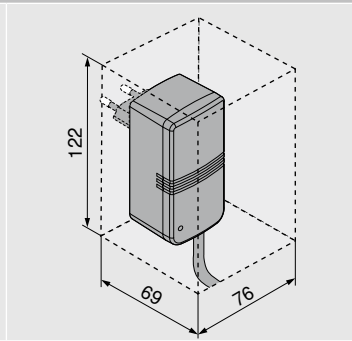
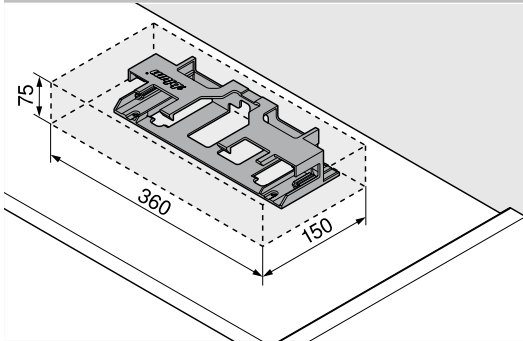
HS 69 or 167 mm

HL 74.5 or 167 mm

Blum transformer and accessories

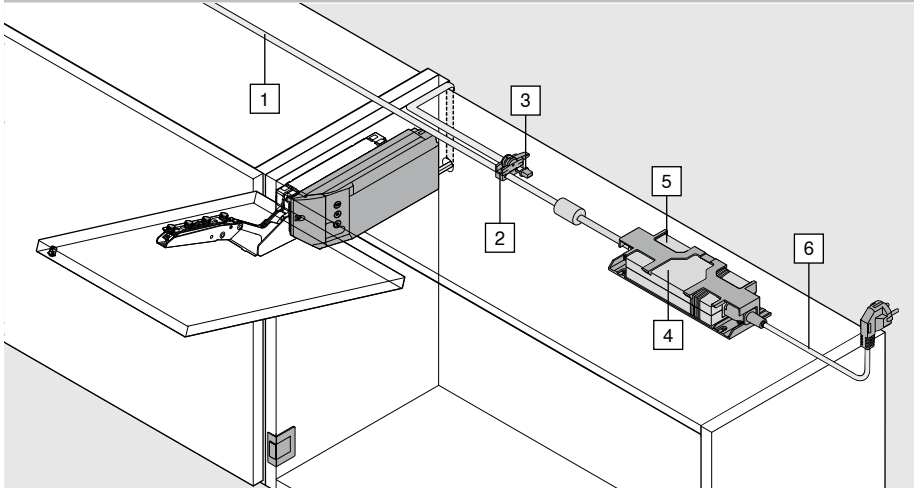
Planning

Space requirement and safety distance, Blum transformer unit housing and/or Blum plug-in transformer



i A safety distance of 30 mm must be maintained for air circulation (see graphic); otherwise, there is a risk that the Blum transformer or plug-in transformer could overheat.

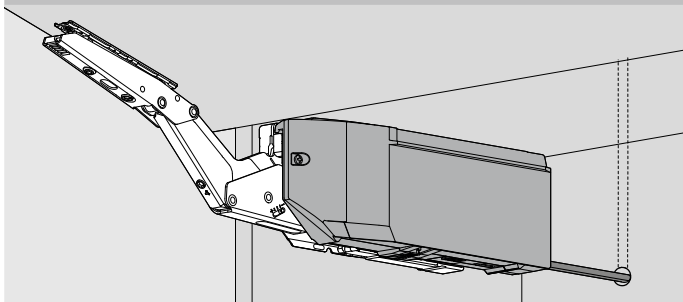
Assembly on the cabinet top panel



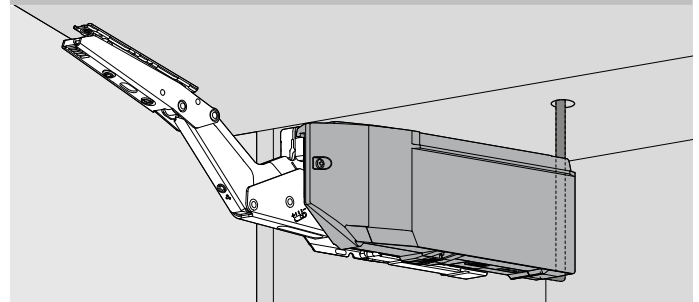
- 1 Distribution cable for cutting to size
- 2 Connecting node
- 3 Cable end protector
- 4 Blum transformer
- 5 Transformer unit housing
- 6 Flex

i Only one Blum transformer can be connected to each distribution cable.

Back cabling



Top cabling



Assembly and adjustment



Information on assembly and adjustment

www.blum.com/servodrive-aventos-assembly

Julius Blum GmbH
Furniture Fittings Mfg.
6973 Höchst, Austria
Tel.: +43 5578 705-0
Fax: +43 5578 705-44
E-mail: info@blum.com
www.blum.com

Our sites in Austria, Poland and China are certified to the international standards mentioned below.
Our site in the USA is certified to ISO 9001.
Our site in Brazil is certified to ISO 9001 and ISO 14001.



 **blum**®



Look for our
FSC™-certified
products

All content is copyrighted by Blum.
Subject to technical modifications and changes to the range without notice.
IDNR: 427,146.2 · EP-535/1 EN-AL/06.21