



Contents:

Page 04 – 1 x M Standard & 2 x D Standard (1 x 140, 2 x 283)

Page 05 – 2 x M Standard & 1 x D Standard (2 x 175, 1 x 355)

Page 06 – 1 x M Standard & 1 x D Standard (1 x 140, 1 x 570)

Page 07 – 2 x D Standard (2 x 355)

Page 08 – 5 x M Standard (5 x 140)

Page 09 – 1 x 260mm Pullboy Z & 1 x Internal M Height

Page 10 – 1 x 295mm Pullboy Z & 1 x Internal M Height

Page 11 – 1 x 460mm Pullboy Z & 1 x Internal M Height

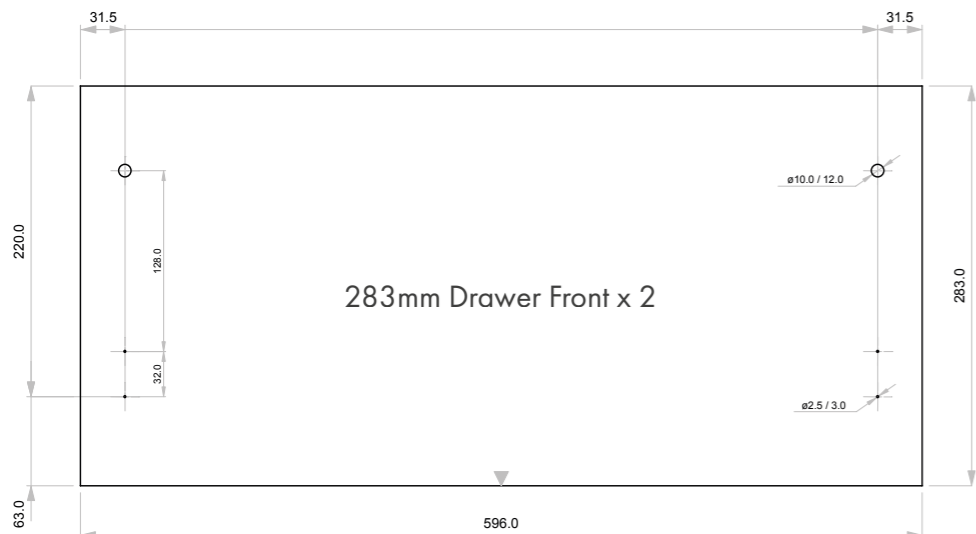
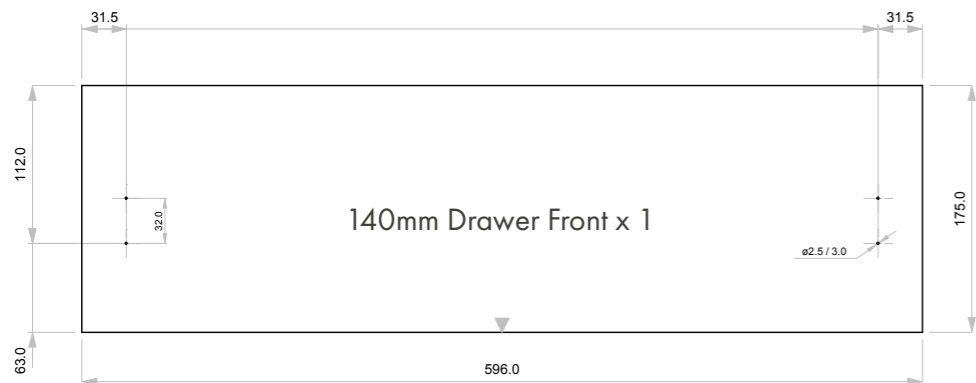
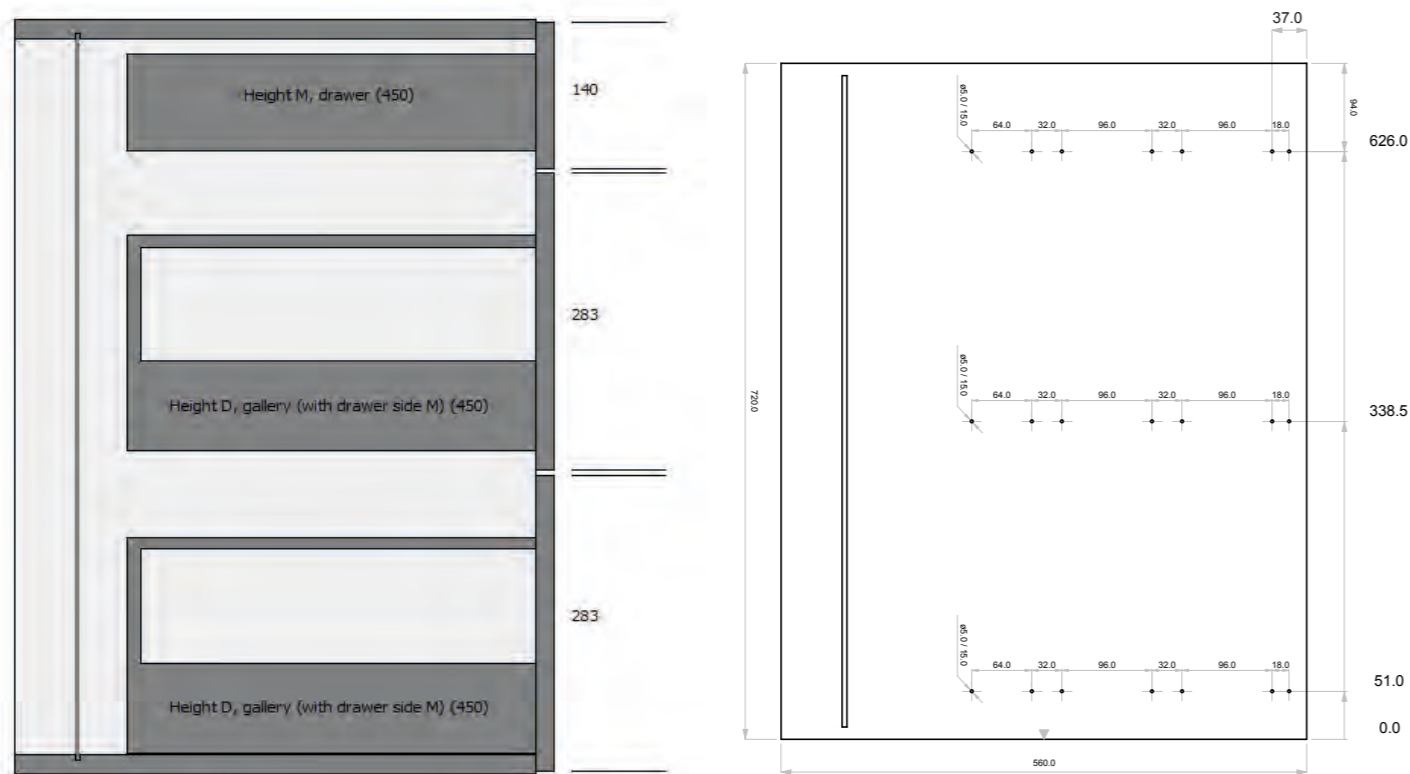
Page 12 – 1 x 495mm Pullboy Z & 1 x Internal M Height

Page 13 – 1 x 530mm Pullboy Z

Page 14 – Space Tower (1245/ 715)

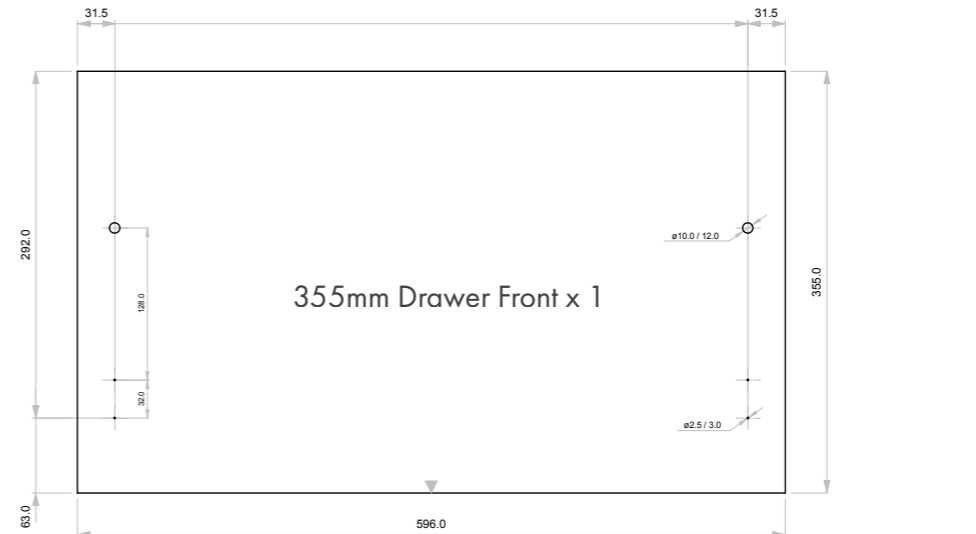
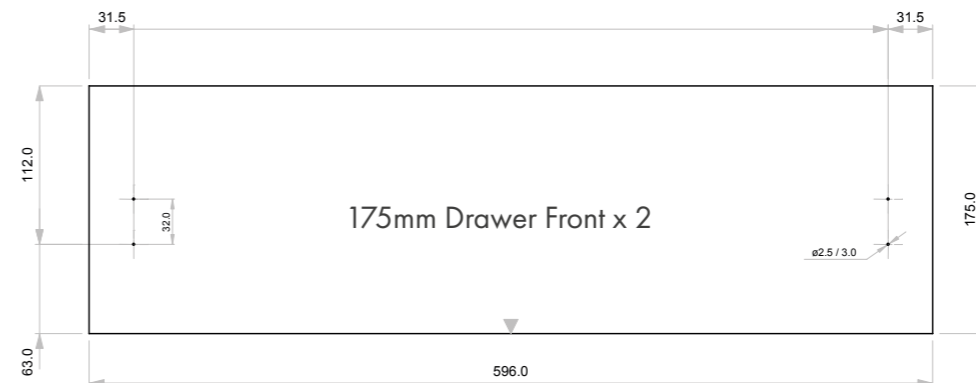
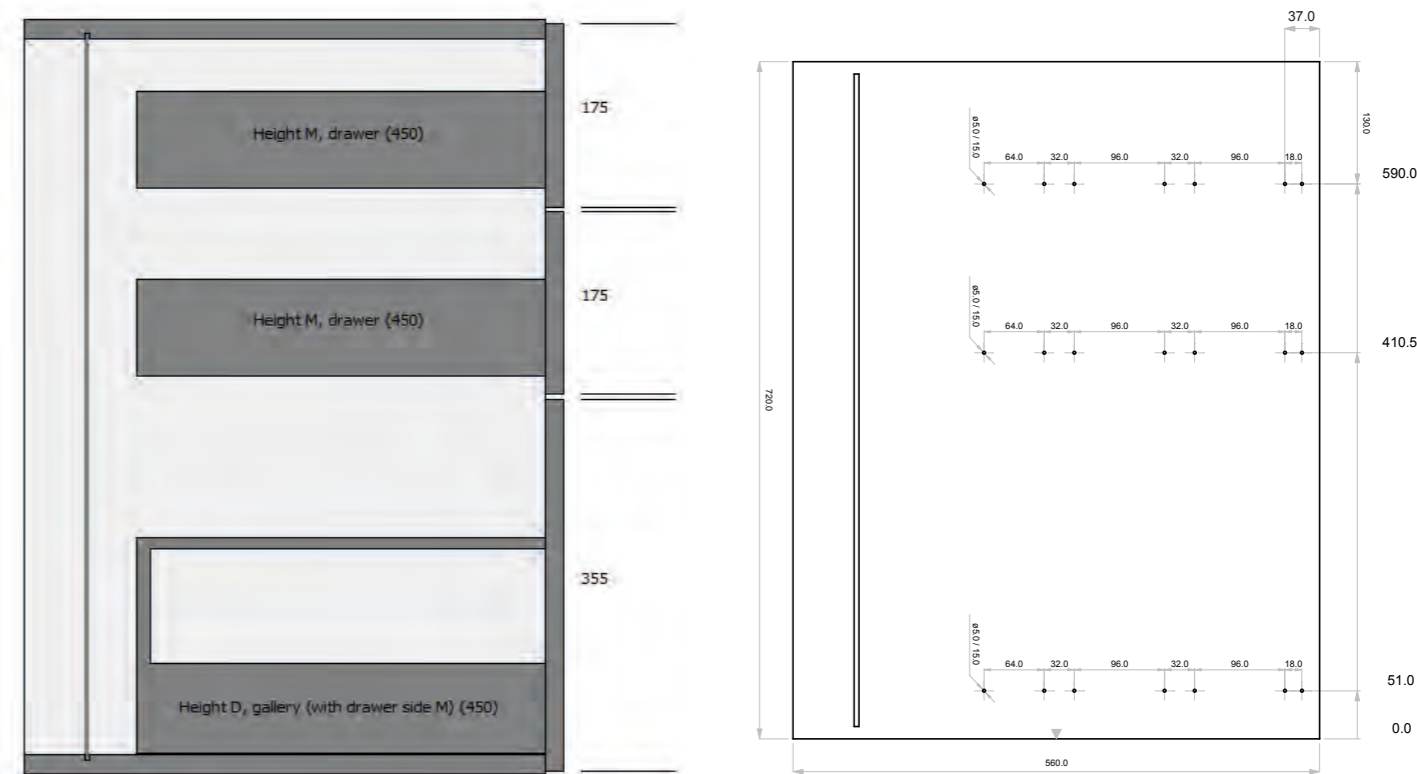
Page 15 – Useful Jigs

Cabinet Configuration - 1 x M Standard, 2 x D Standard



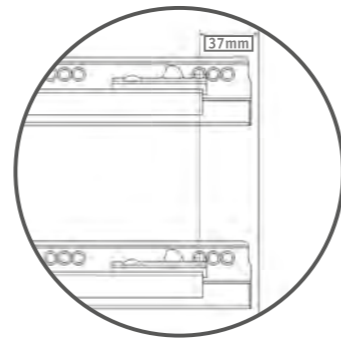
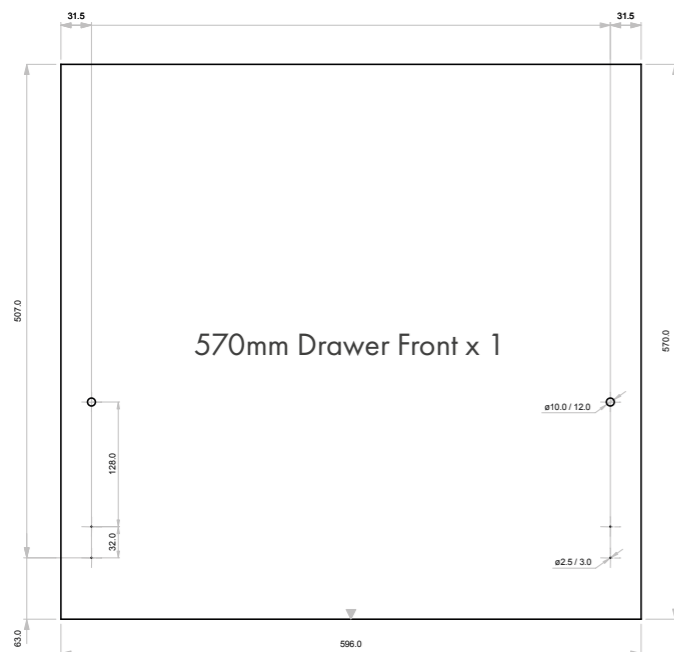
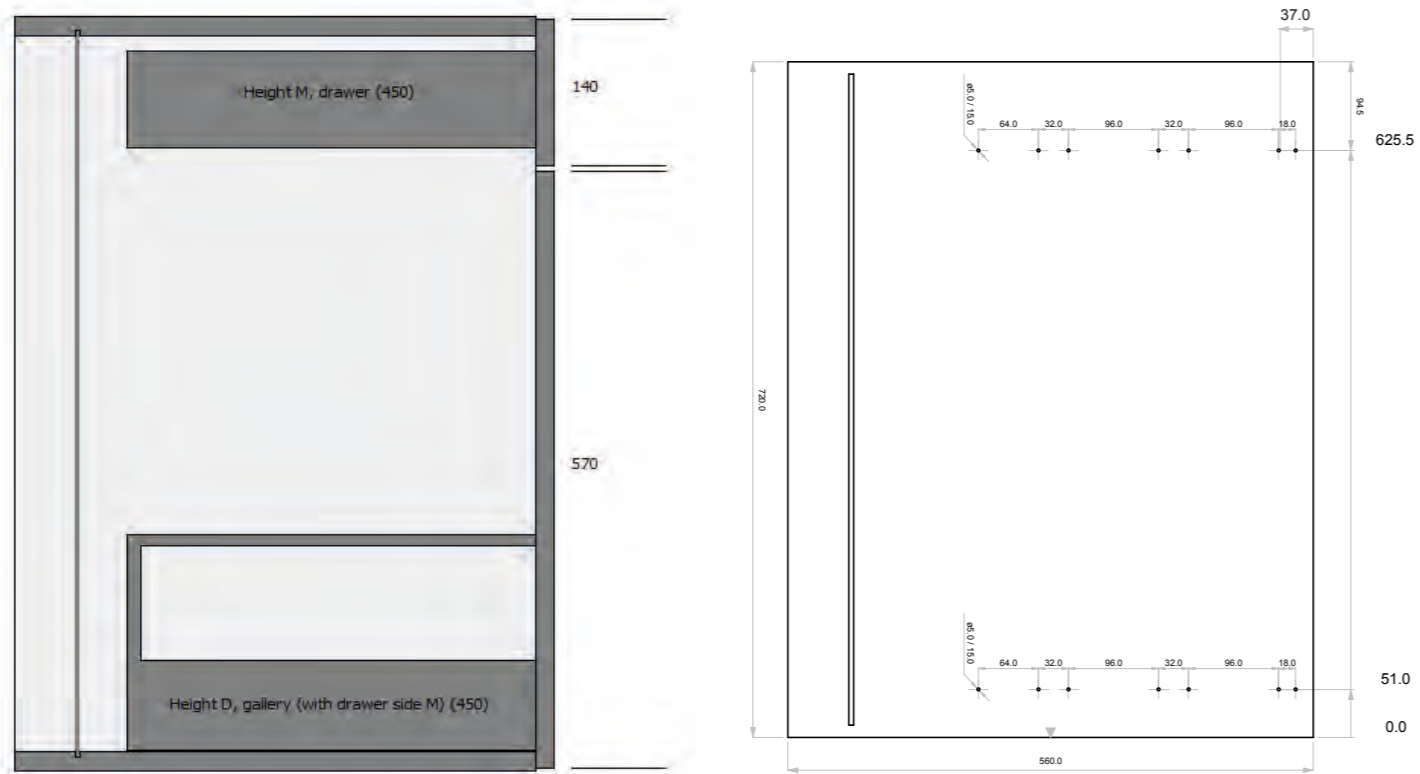
Cabinet Dimensions	
Carcase Height:	720
External Carcase Width:	600
Internal Carcase Width:	564
Top Panel Thickness:	18
Bottom Panel Thickness:	18
Left Side Panel Thickness:	18
Right Side Panel Thickness:	18
Top Gap:	2.5
Gap Between Fronts:	5
Bottom Gap:	2.5
Left Side Gap:	2
Right Side Gap:	2

Cabinet Configuration - 2 x M Standard, 1 x D Standard



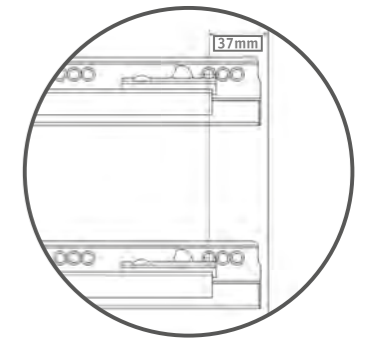
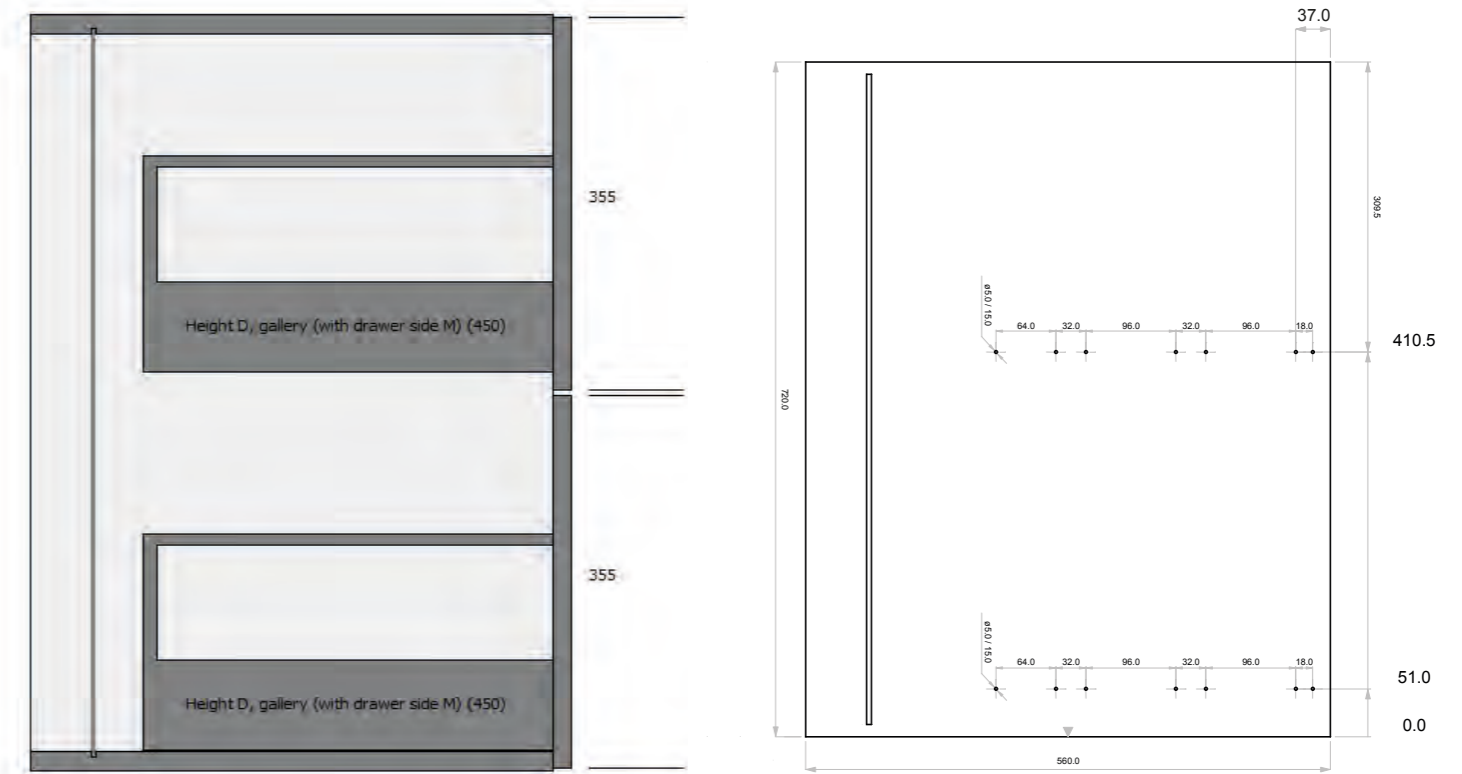
Cabinet Dimensions	
Carcase Height:	720
External Carcase Width:	600
Internal Carcase Width:	564
Top Panel Thickness:	18
Bottom Panel Thickness:	18
Left Side Panel Thickness:	18
Right Side Panel Thickness:	18
Top Gap:	2.5
Gap Between Fronts:	5
Bottom Gap:	2.5
Left Side Gap:	2
Right Side Gap:	2

Cabinet Configuration - 1 x M Standard, 1 x D Standard



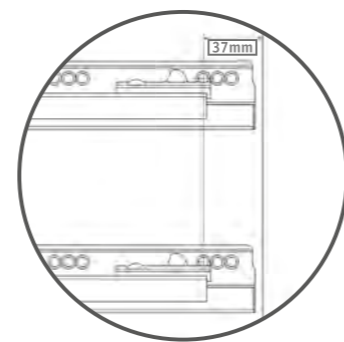
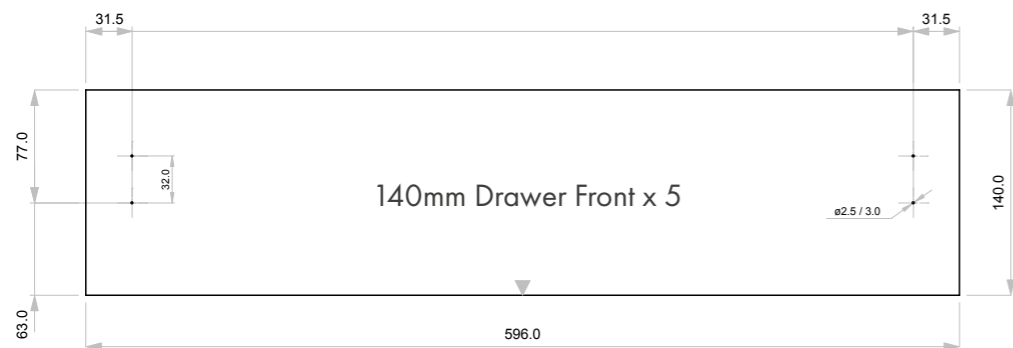
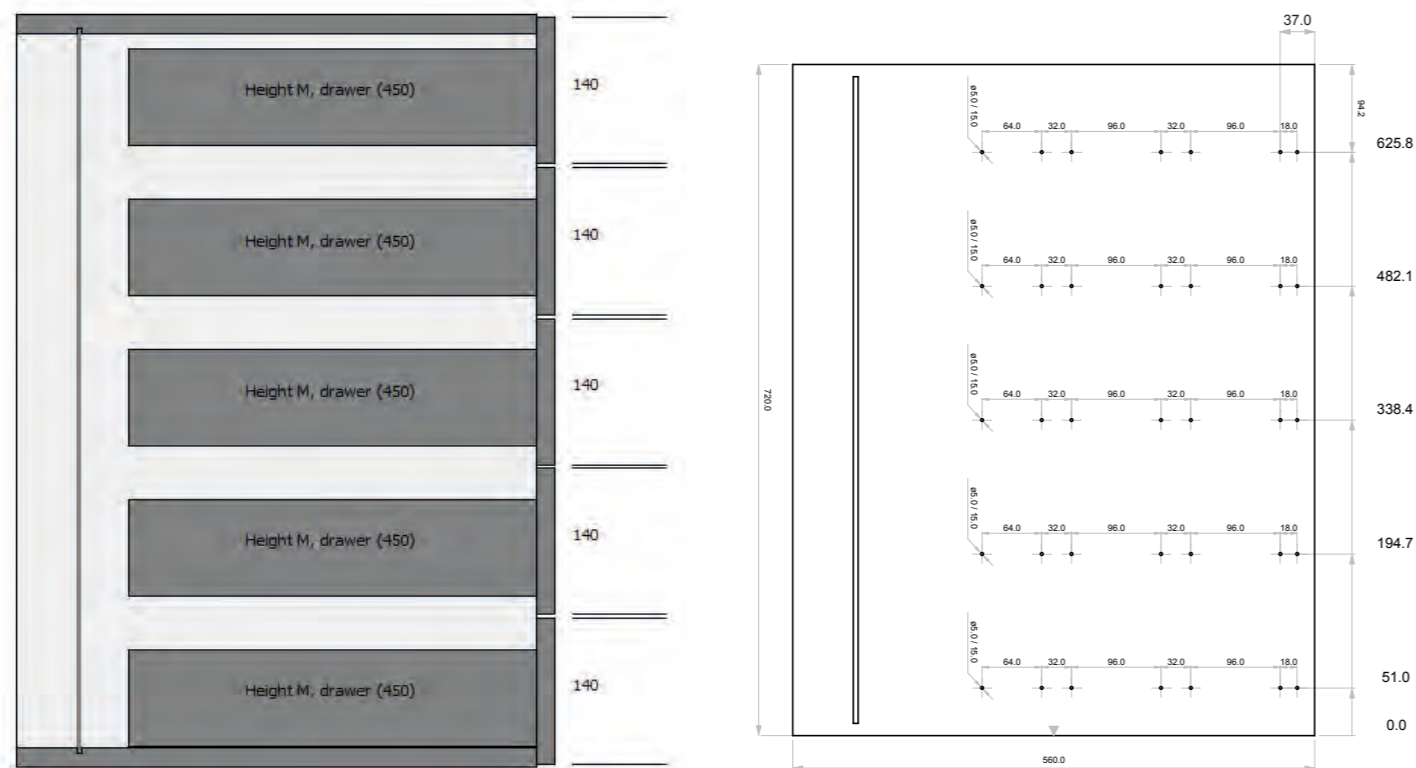
Cabinet Dimensions	
Carcase Height:	720
External Carcase Width:	600
Internal Carcase Width:	564
Top Panel Thickness:	18
Bottom Panel Thickness:	18
Left Side Panel Thickness:	18
Right Side Panel Thickness:	18
Top Gap:	2.5
Gap Between Fronts:	5
Bottom Gap:	2.5
Left Side Gap:	2
Right Side Gap:	2

Cabinet Configuration - 2 x D Standard



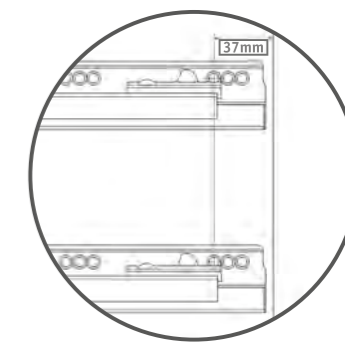
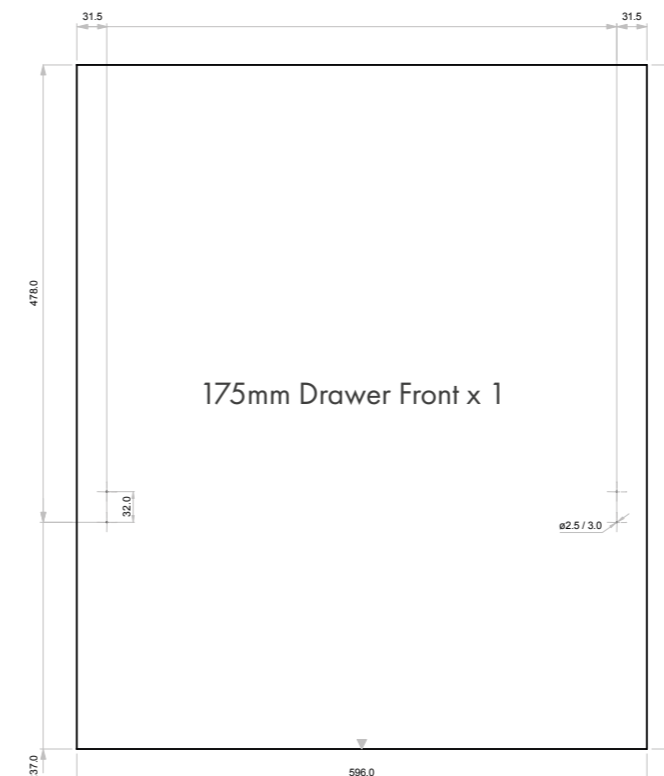
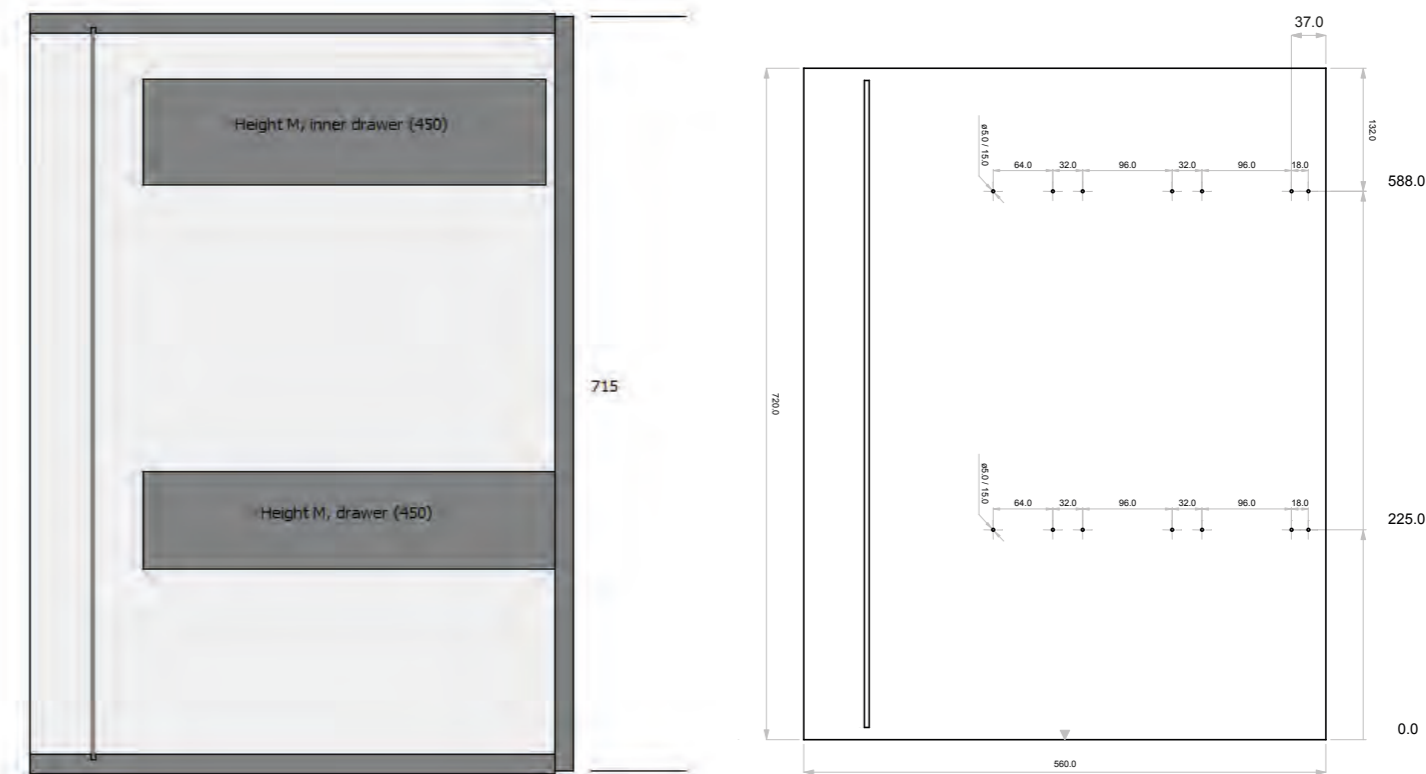
Cabinet Dimensions	
Carcase Height:	720
External Carcase Width:	600
Internal Carcase Width:	564
Top Panel Thickness:	18
Bottom Panel Thickness:	18
Left Side Panel Thickness:	18
Right Side Panel Thickness:	18
Top Gap:	2.5
Gap Between Fronts:	5
Bottom Gap:	2.5
Left Side Gap:	2
Right Side Gap:	2

Cabinet Configuration - 5 x M Standard



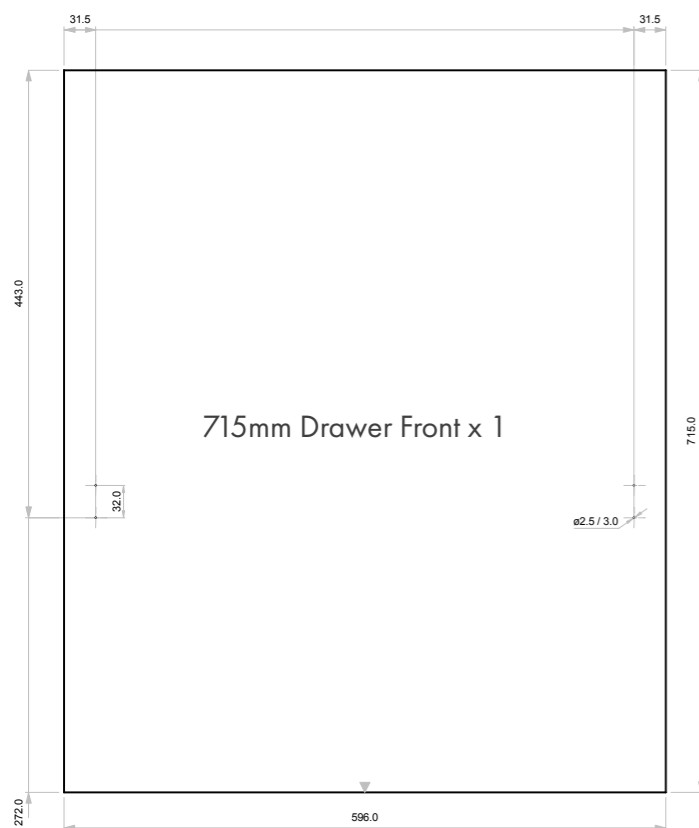
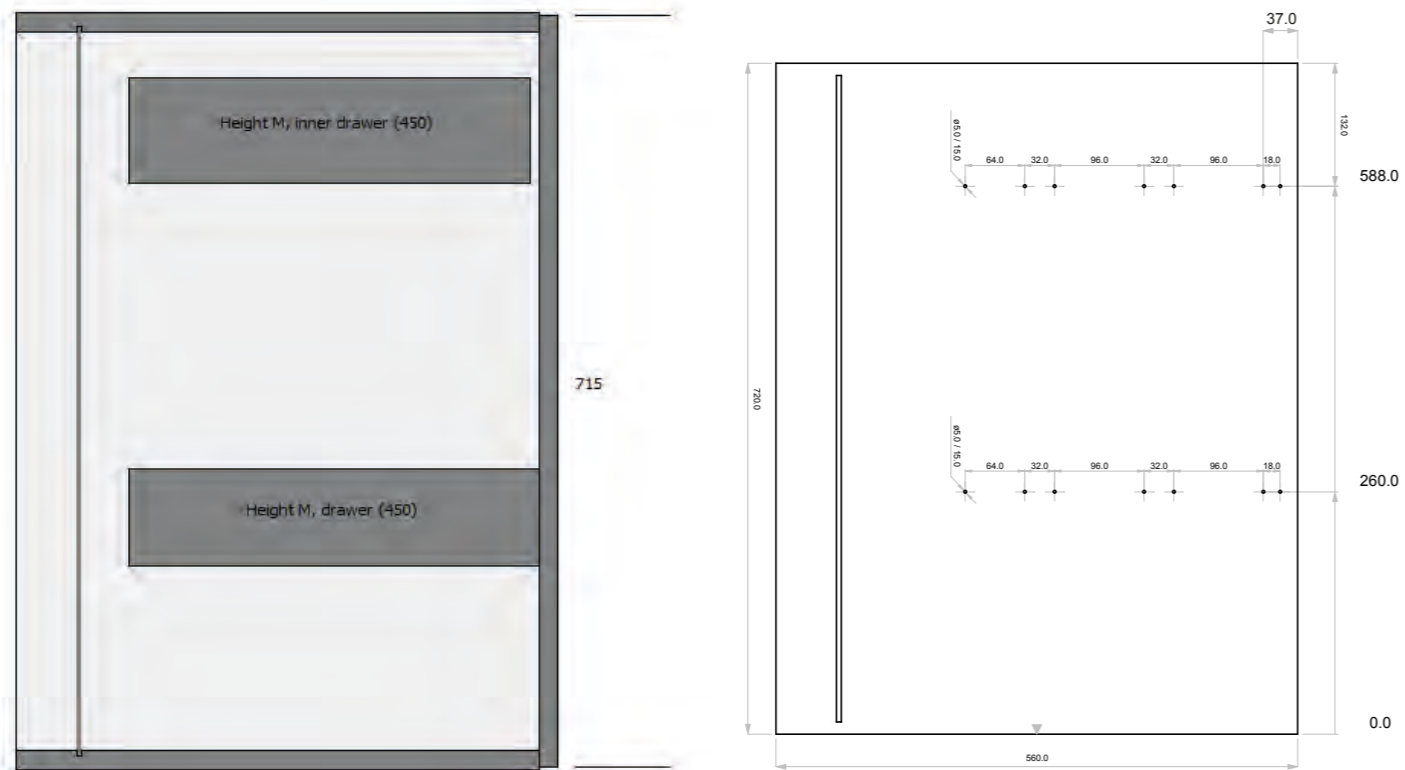
Cabinet Dimensions	
Carcase Height:	720
External Carcase Width:	600
Internal Carcase Width:	564
Top Panel Thickness:	18
Bottom Panel Thickness:	18
Left Side Panel Thickness:	18
Right Side Panel Thickness:	18
Top Gap:	2.5
Gap Between Fronts:	5
Bottom Gap:	2.5
Left Side Gap:	2
Right Side Gap:	2

Cabinet Configuration - Antaro 1 x 260mm Pullboy Z & 1 x Internal M Height

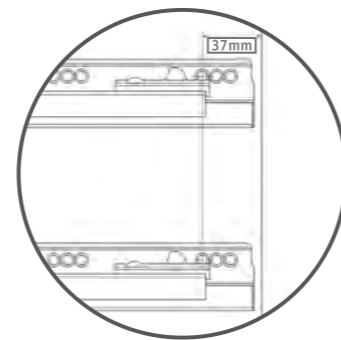


Cabinet Dimensions	
Carcase Height:	720
External Carcase Width:	600
Internal Carcase Width:	564
Top Panel Thickness:	18
Bottom Panel Thickness:	18
Left Side Panel Thickness:	18
Right Side Panel Thickness:	18
Top Gap:	2.5
Gap Between Fronts:	5
Bottom Gap:	2.5
Left Side Gap:	2
Right Side Gap:	2

Cabinet Configuration - Antaro 1 x 295mm Pullboy Z & 1 x Internal M Height

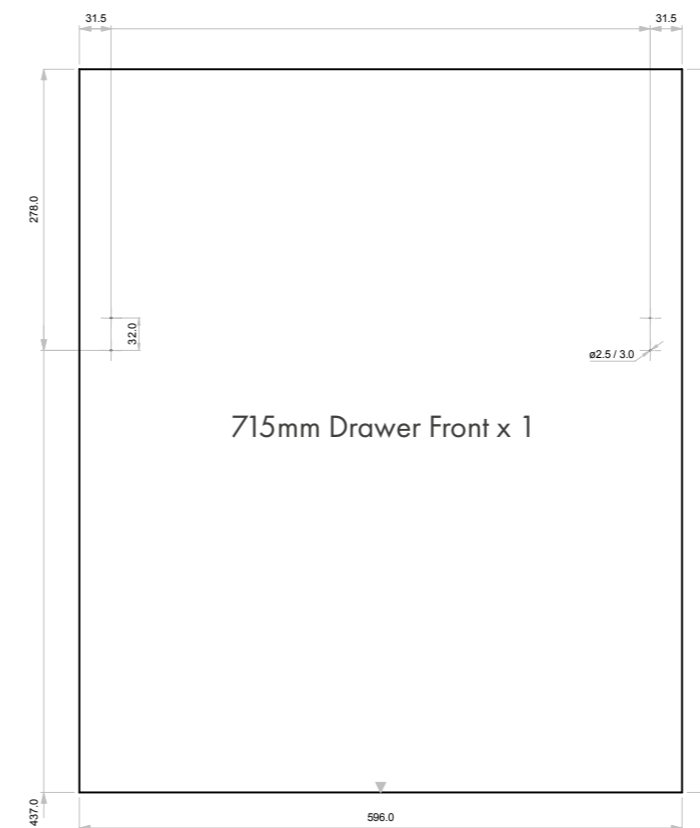
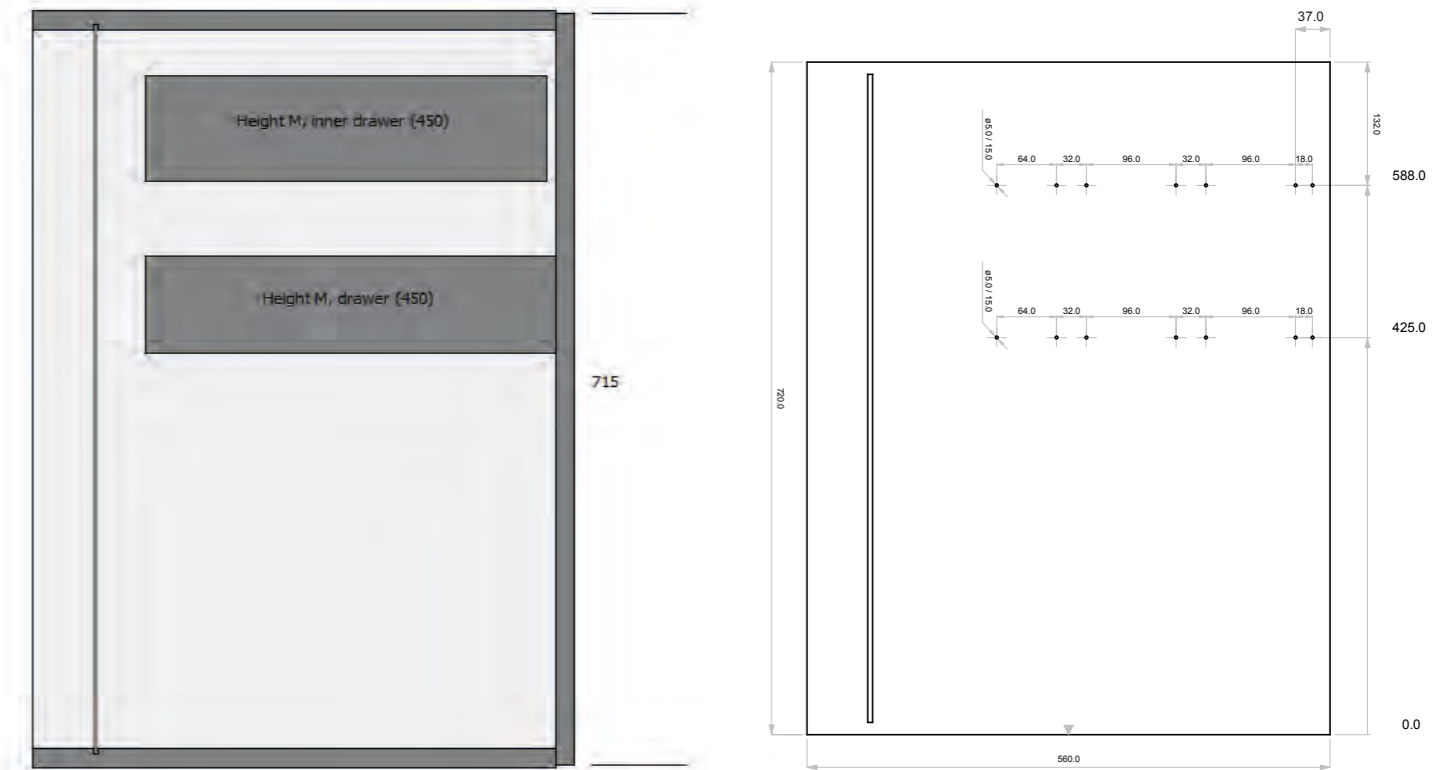


295 Bin Height:
829602-11N
829603-11N

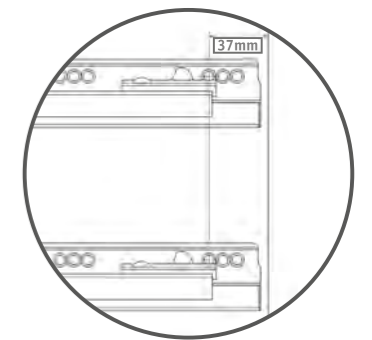


Cabinet Dimensions	
Carcase Height:	720
External Carcase Width:	600
Internal Carcase Width:	564
Top Panel Thickness:	18
Bottom Panel Thickness:	18
Left Side Panel Thickness:	18
Right Side Panel Thickness:	18
Top Gap:	2.5
Gap Between Fronts:	5
Bottom Gap:	2.5
Left Side Gap:	2
Right Side Gap:	2

Cabinet Configuration - Antaro 1 x 460mm Pullboy Z & 1 x Internal M Height

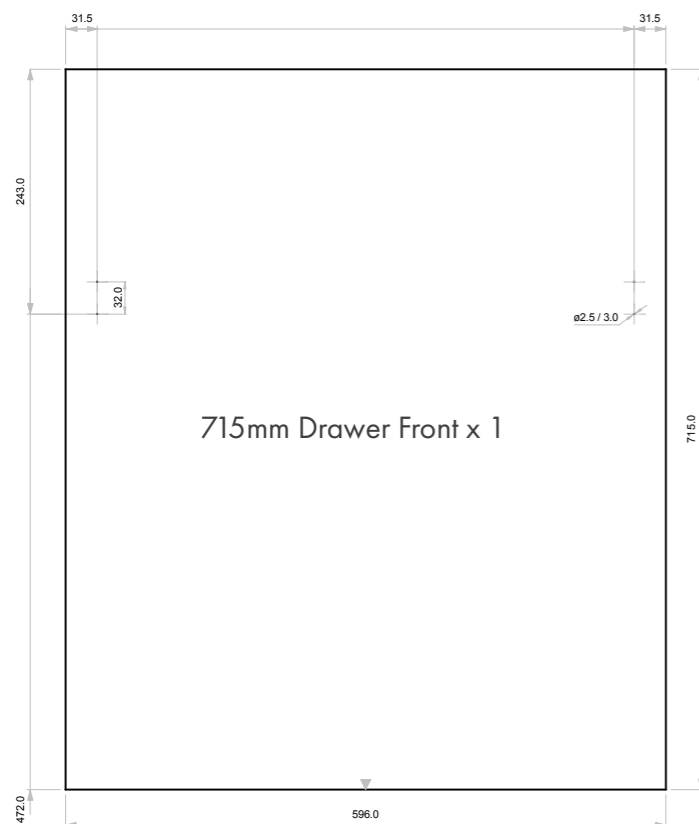
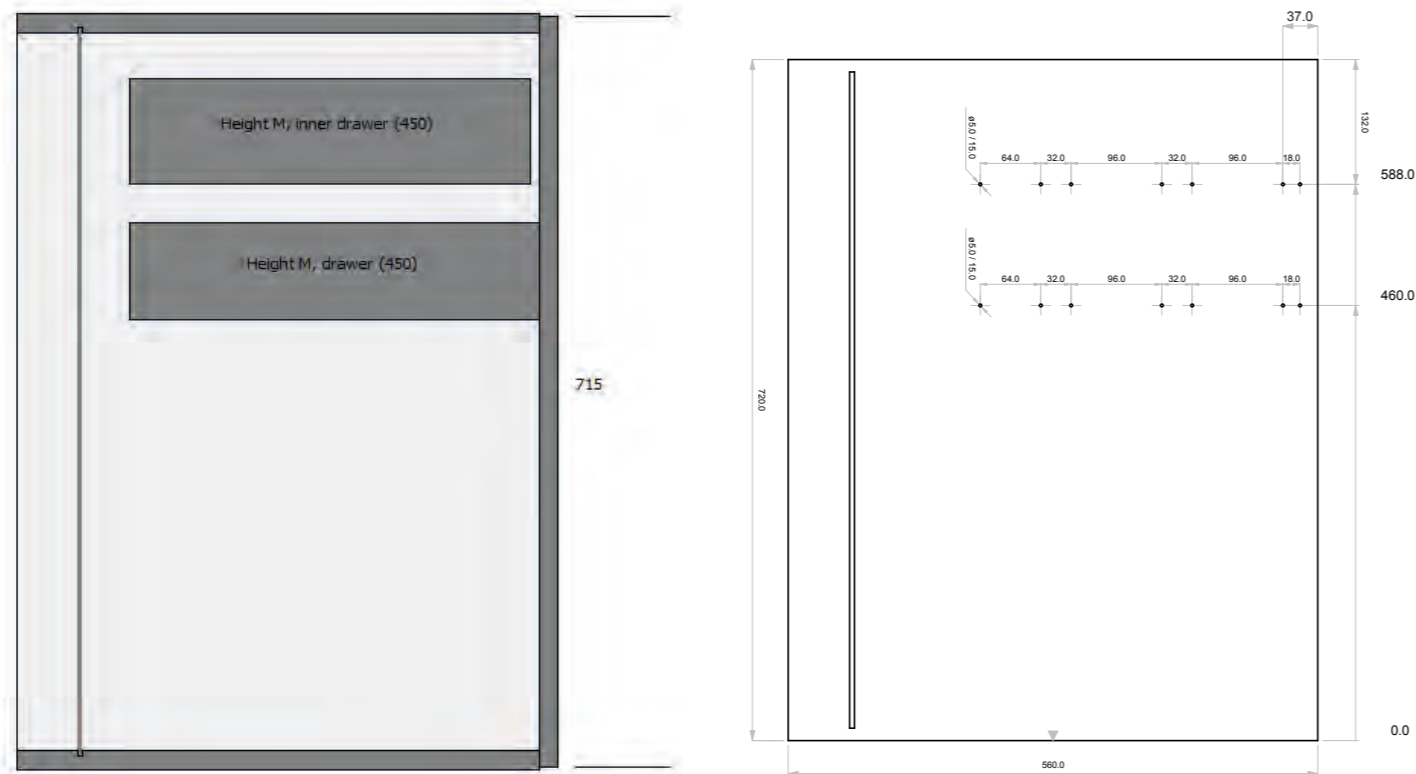


460 Bin Height:
827308-11
827308-52
827408-11
827416-01
827416-11
827458-11
827466-01
827466-11
827508-11
827516-01
827516-11
827608-11
827616-01
827616-11
829613-11

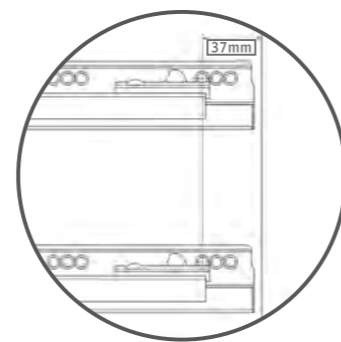


Cabinet Dimensions	
Carcase Height:	720
External Carcase Width:	600
Internal Carcase Width:	564
Top Panel Thickness:	18
Bottom Panel Thickness:	18
Left Side Panel Thickness:	18
Right Side Panel Thickness:	18
Top Gap:	2.5
Gap Between Fronts:	5
Bottom Gap:	2.5
Left Side Gap:	2
Right Side Gap:	2

Cabinet Configuration - Antaro 1 x 495mm Pullboy Z & 1 x Internal M Height

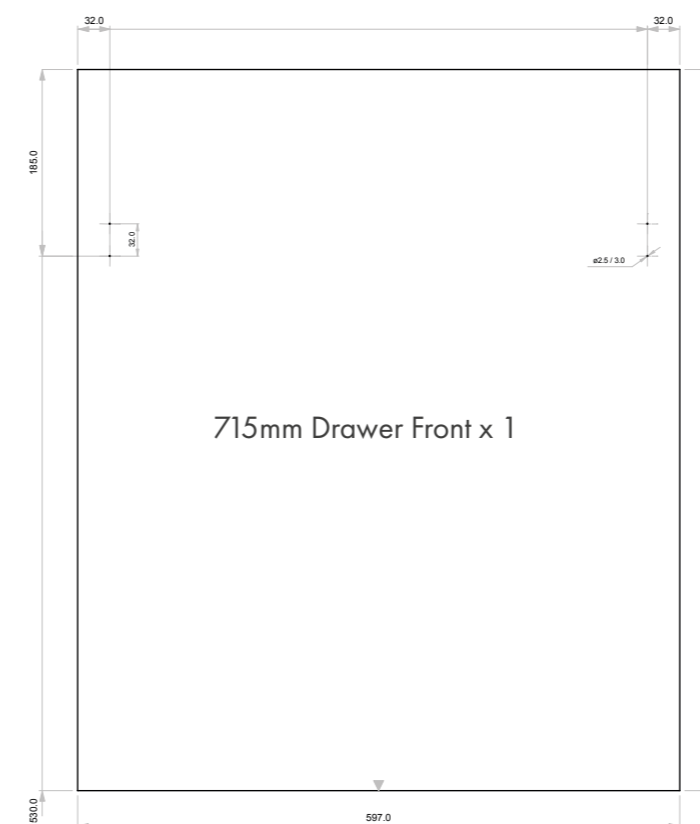
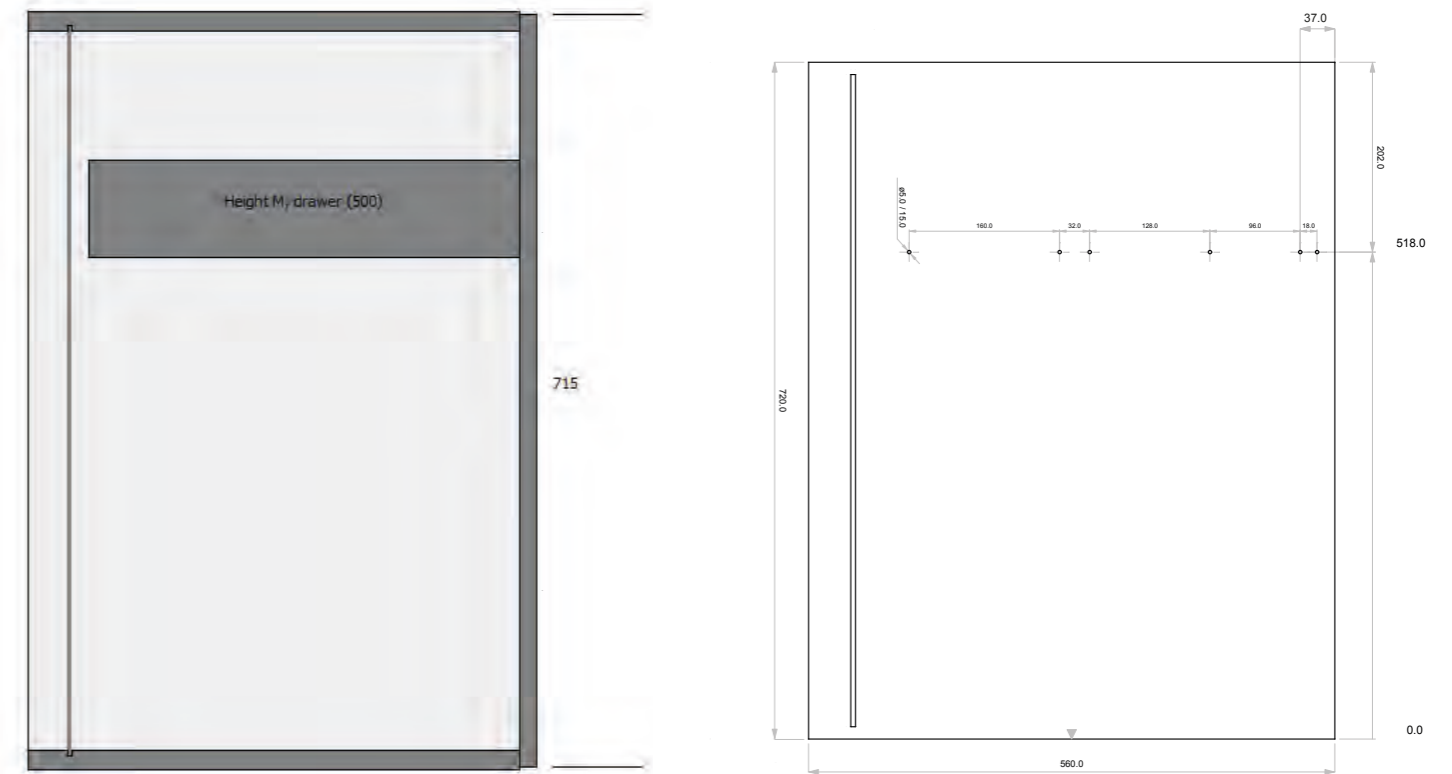


495 Bin Height:
827642-01LDL
827642-11

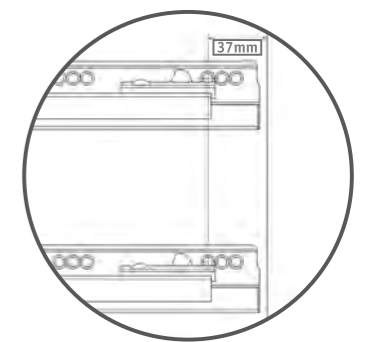


Cabinet Dimensions	
Carcase Height:	720
External Carcase Width:	600
Internal Carcase Width:	564
Top Panel Thickness:	18
Bottom Panel Thickness:	18
Left Side Panel Thickness:	18
Right Side Panel Thickness:	18
Top Gap:	2.5
Gap Between Fronts:	5
Bottom Gap:	2.5
Left Side Gap:	2
Right Side Gap:	2

Cabinet Configuration - Antaro 1 x 530mm Pullboy Z

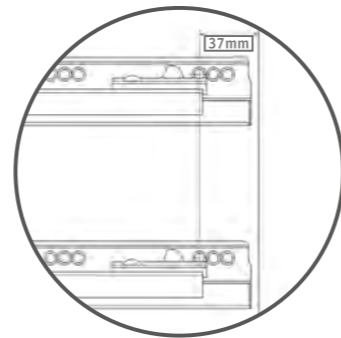
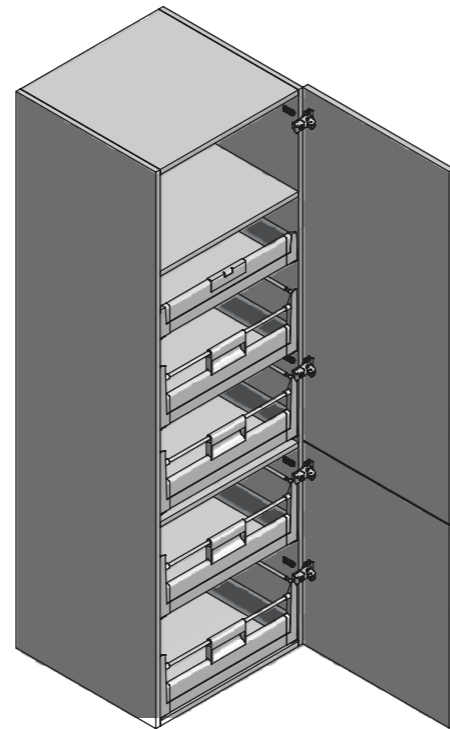
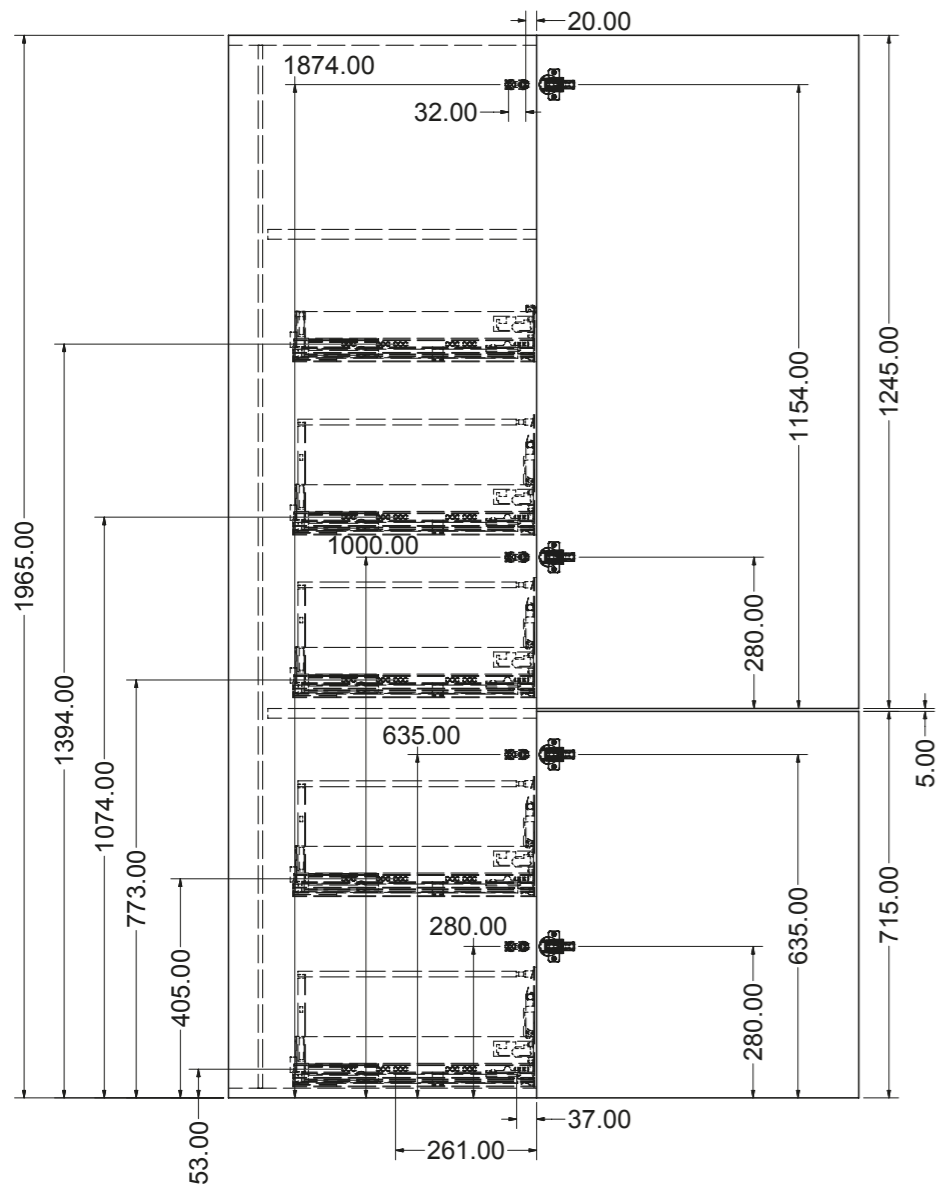


530 Bin Height:
827418-01
827418-11
827418-52
827468-01
827468-11
827468-52
827518-01
828614-11
827518-11
827518-52
827618-01
827618-11
827618-52
828468-11
828518-11



Cabinet Dimensions	
Carcase Height:	720
External Carcase Width:	600
Internal Carcase Width:	564
Top Panel Thickness:	18
Bottom Panel Thickness:	18
Left Side Panel Thickness:	18
Right Side Panel Thickness:	18
Top Gap:	2.5
Gap Between Fronts:	5
Bottom Gap:	2.5
Left Side Gap:	2
Right Side Gap:	2

Cabinet Configuration - Antaro Space Tower – 1245/ 715 Door



Cabinet Dimensions	
Carcase Height:	1965
External Carcase Width:	600
Internal Carcase Width:	564
Top Panel Thickness:	18
Bottom Panel Thickness:	18
Left Side Panel Thickness:	18
Right Side Panel Thickness:	18
Top Gap:	2.5
Gap Between Fronts:	5
Bottom Gap:	2.5
Left Side Gap:	2
Right Side Gap:	2

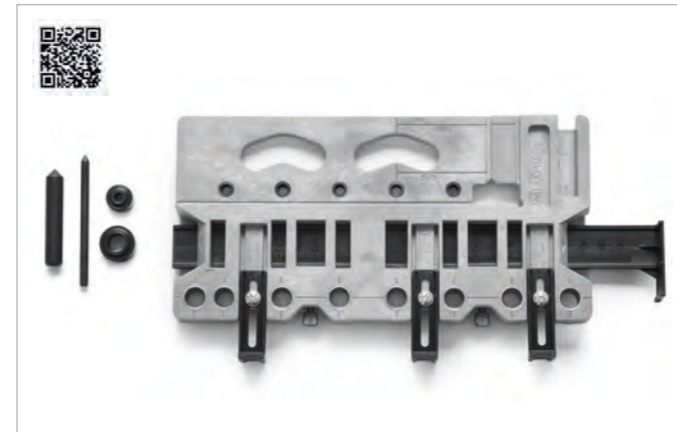
Useful Jigs



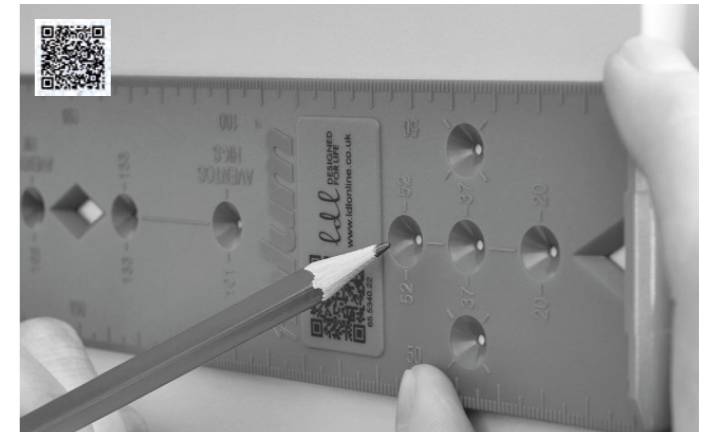
65.1000.01
Multiple cabinet drilling positions for cabinet profiles.
For Legrabox & Antaro



65.1051.01
Single cabinet drilling positions for cabinet profiles.
For Legrabox & Antaro



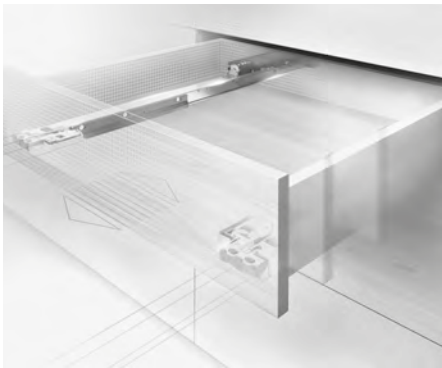
ZML.0040.01
Universal Drilling Jig – used for centre punching the drilling points for front fixing brackets & gallery rails.
For Legrabox & Antaro



65.5340.22
Single cabinet drilling positions for cabinet profiles.
For Legrabox & Antaro



Blum is an international company that specialises in the production of functional furniture fittings.
The company's main product groups are...



Runner systems for wooden boxes.



Inner dividing systems to better organise drawers and pull-outs.



Box systems for metal drawers and pull-outs.



Lift systems, they fold, lift and swing up & over.



Assembly devices, the easy and fast way to assemble and install many of Blum's products.



Hinge systems for all applications.

