

**Docking
Drawer®**

blum®

Docking Drawer Trio Series Mounting Diagrams

for Blum LEGRABOX & TANDEMBOX



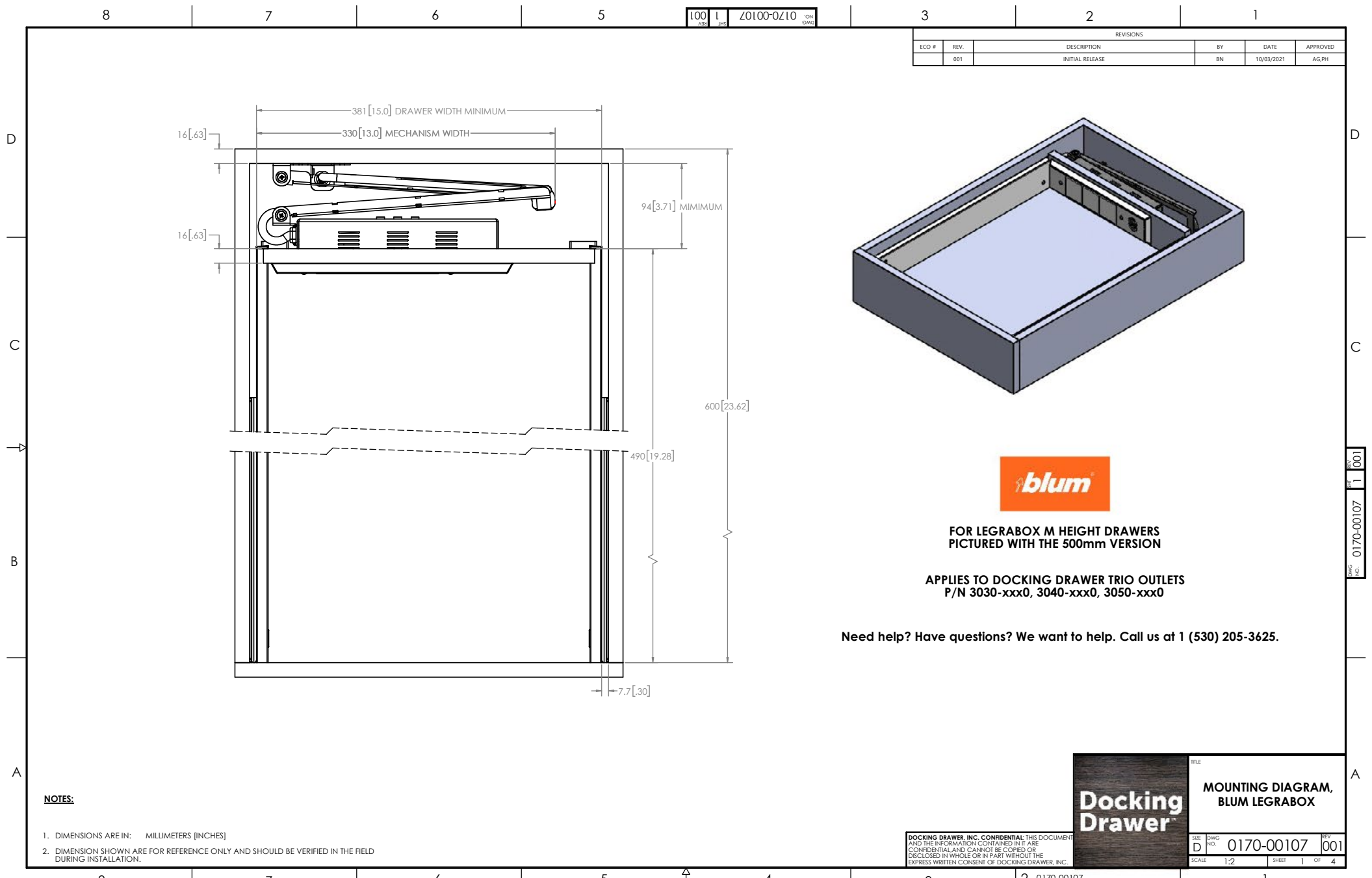


Choose Your Drawer Box System

- 3** | LEGRABOX - M Height Drawers
- 7** | LEGRABOX - C, F & K Height Drawers
- 11** | TANDEMBOX - M Height Drawers
- 15** | TANDEMBOX - C & D Height Drawers

Docking Drawer Trio for LEGRABOX M Height Drawers

Back to Contents →



REVISIONS					
ECO #	REV.	DESCRIPTION	BY	DATE	APPROVED
	001	INITIAL RELEASE	BN	10/03/2021	AG,PH



FOR LEGRABOX M HEIGHT DRAWERS
PICTURED WITH THE 500mm VERSION

APPLIES TO DOCKING DRAWER TRIO OUTLETS
P/N 3030-xxx0, 3040-xxx0, 3050-xxx0

Need help? Have questions? We want to help. Call us at 1 (530) 205-3625.

NOTES:

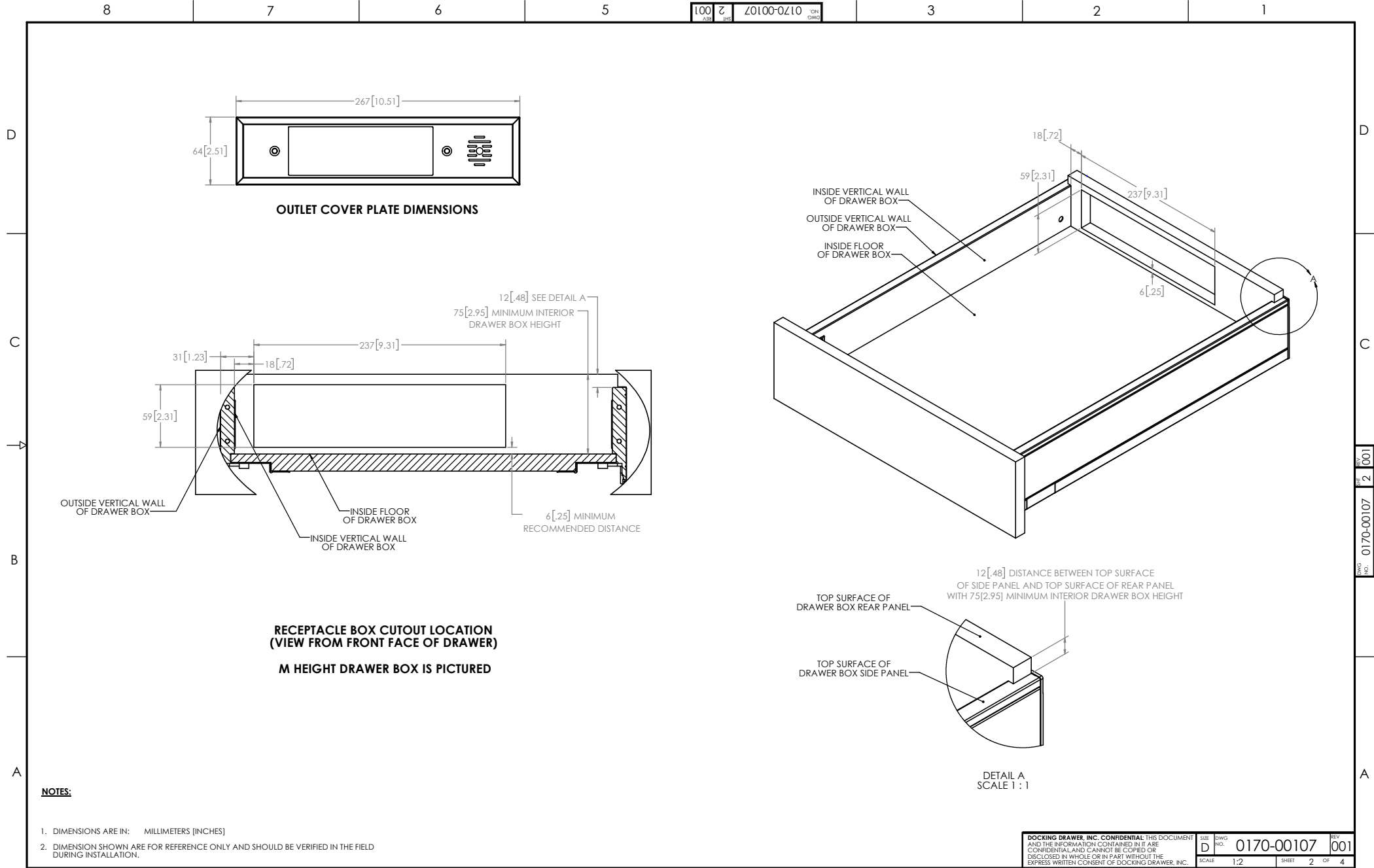
1. DIMENSIONS ARE IN: MILLIMETERS [INCHES]
2. DIMENSION SHOWN ARE FOR REFERENCE ONLY AND SHOULD BE VERIFIED IN THE FIELD DURING INSTALLATION.

DOCKING DRAWER, INC. CONFIDENTIAL THIS DOCUMENT AND THE INFORMATION CONTAINED IN IT ARE CONFIDENTIAL AND CANNOT BE COPIED OR DISCLOSED IN WHOLE OR IN PART WITHOUT THE EXPRESS WRITTEN CONSENT OF DOCKING DRAWER, INC.

Docking Drawer	TITLE		REV
	MOUNTING DIAGRAM, BLUM LEGRABOX		
SCALE	DWG INC.	SHEET	OF
1:2	0170-00107	1	4

Docking Drawer Trio for LEGRABOX M Height Drawers

100 2 20100-0210 ON DWG

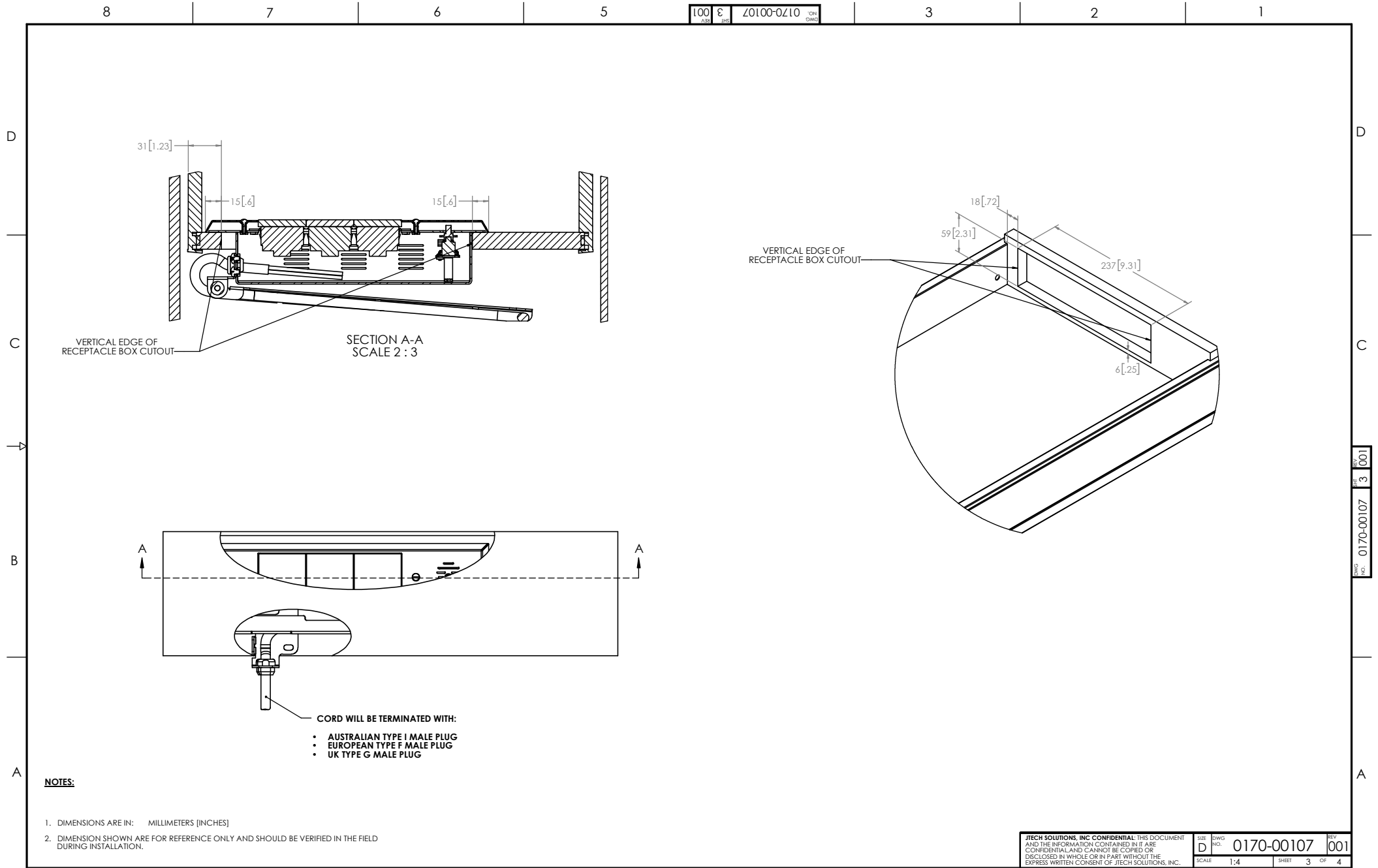


NOTES:

1. DIMENSIONS ARE IN: MILLIMETERS [INCHES]
2. DIMENSION SHOWN ARE FOR REFERENCE ONLY AND SHOULD BE VERIFIED IN THE FIELD DURING INSTALLATION.

DOCKING DRAWER, INC. CONFIDENTIAL THIS DOCUMENT AND THE INFORMATION CONTAINED IN IT ARE CONFIDENTIAL AND CANNOT BE COPIED OR DISCLOSED IN WHOLE OR IN PART WITHOUT THE EXPRESS WRITTEN CONSENT OF DOCKING DRAWER, INC.		SIZE DWG INC. 0170-00107	REV 001
SCALE 1:2	SHEET 2	OF 4	

Docking Drawer Trio for LEGRABOX M Height Drawers

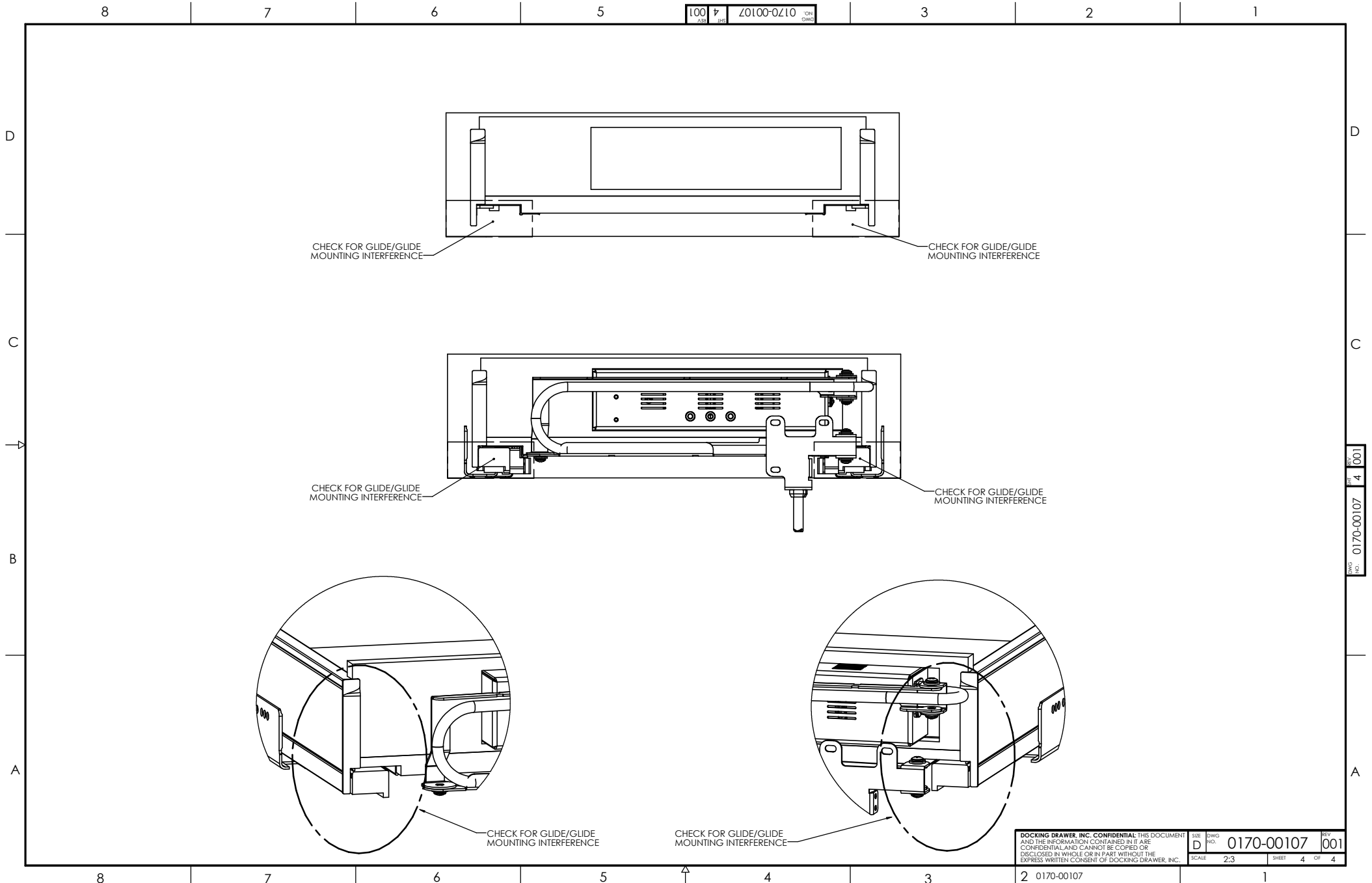


REV 001
REV 3
REV 0170-00107

JTECH SOLUTIONS, INC. CONFIDENTIAL THIS DOCUMENT AND THE INFORMATION CONTAINED IN IT ARE CONFIDENTIAL AND CANNOT BE COPIED OR DISCLOSED IN WHOLE OR IN PART WITHOUT THE EXPRESS WRITTEN CONSENT OF JTECH SOLUTIONS, INC.		SIZE DWG INC. 0170-00107	REV 001
SCALE 1:4	SHEET 3	OF 4	

Docking Drawer Trio for LEGRABOX M Height Drawers

Back to Contents →



Docking Drawer Trio for LEGRABOX C, F & K Height Drawers

Back to Contents →

8

7

6

5

100 1 90100-0Z10
A34 145 104 DMG

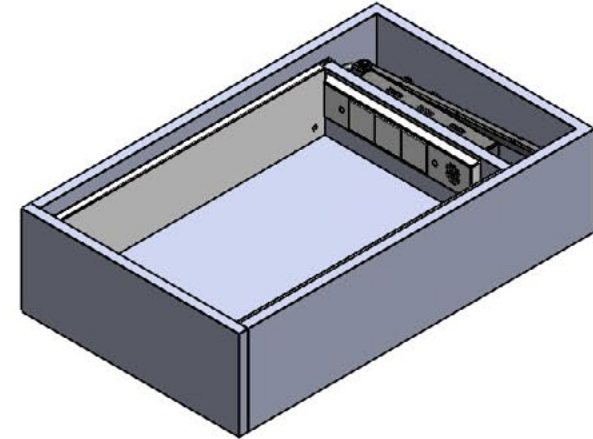
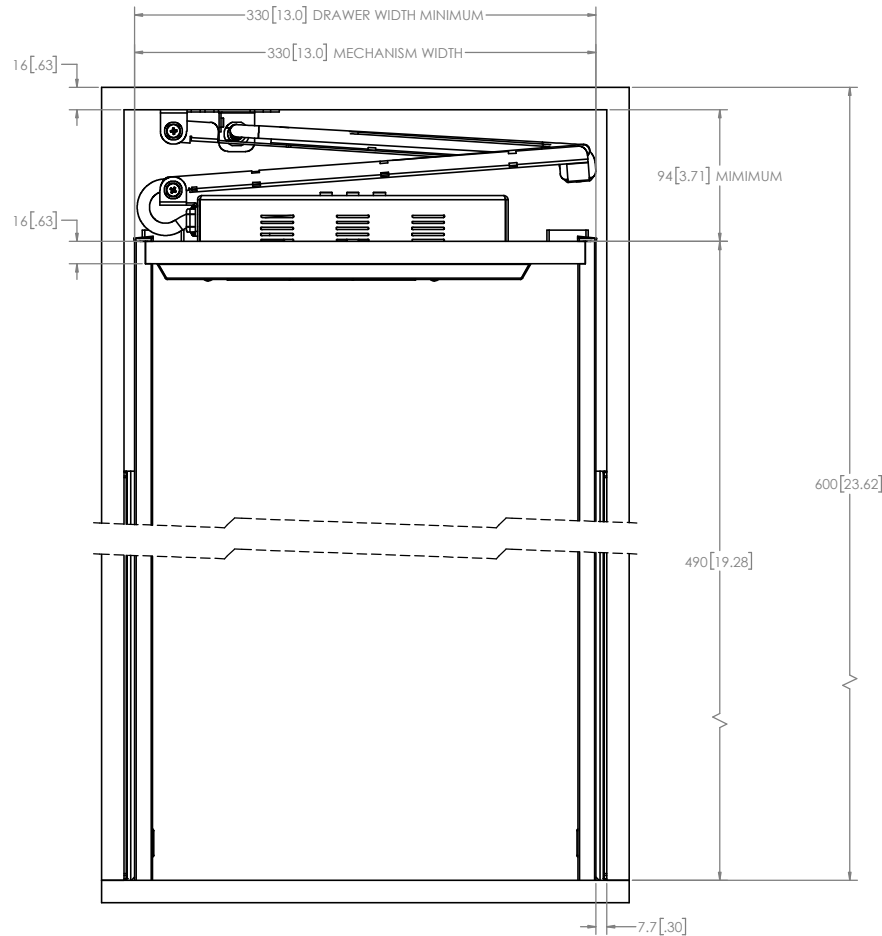
3

2

1

REVISIONS					
ECO #	REV.	DESCRIPTION	BY	DATE	APPROVED
	001	INITIAL RELEASE	BN	9/16/2021	AG,PH

D
C
B
A



FOR LEGRABOX C, F AND K HEIGHT DRAWERS
K HEIGHT IS PICTURED WITH THE 500mm VERSION

APPLIES TO DOCKING DRAWER TRIO OUTLETS
P/N 3030-xxx0, 3040-xxx0, 3050-xxx0

Need help? Have questions? We want to help. Call us at 1 (530) 205-3625.

NOTES:

1. DIMENSIONS ARE IN: MILLIMETERS [INCHES]
2. DIMENSION SHOWN ARE FOR REFERENCE ONLY AND SHOULD BE VERIFIED IN THE FIELD DURING INSTALLATION.

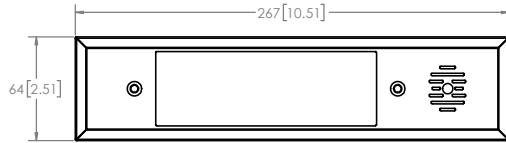
DWG NO. 0170-00106 REV. 1 001

Docking Drawer	TITLE	
	MOUNTING DIAGRAM, BLUM LEGRABOX	
SCALE	1:2	
SIZE	DWG NO. 0170-00106	REV. 001
	SHEET 1	OF 4

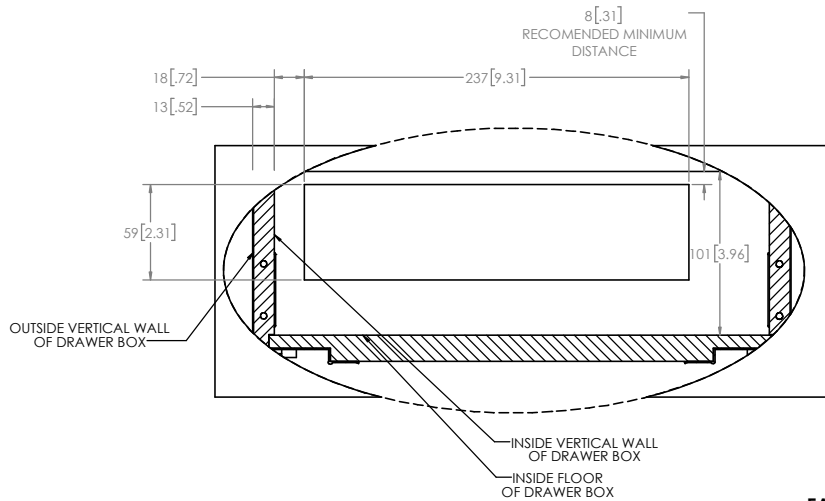
DOCKING DRAWER, INC. CONFIDENTIAL THIS DOCUMENT AND THE INFORMATION CONTAINED IN IT ARE CONFIDENTIAL AND CANNOT BE COPIED OR DISCLOSED IN WHOLE OR IN PART WITHOUT THE EXPRESS WRITTEN CONSENT OF DOCKING DRAWER, INC.

Docking Drawer Trio for LEGRABOX C, F & K Height Drawers

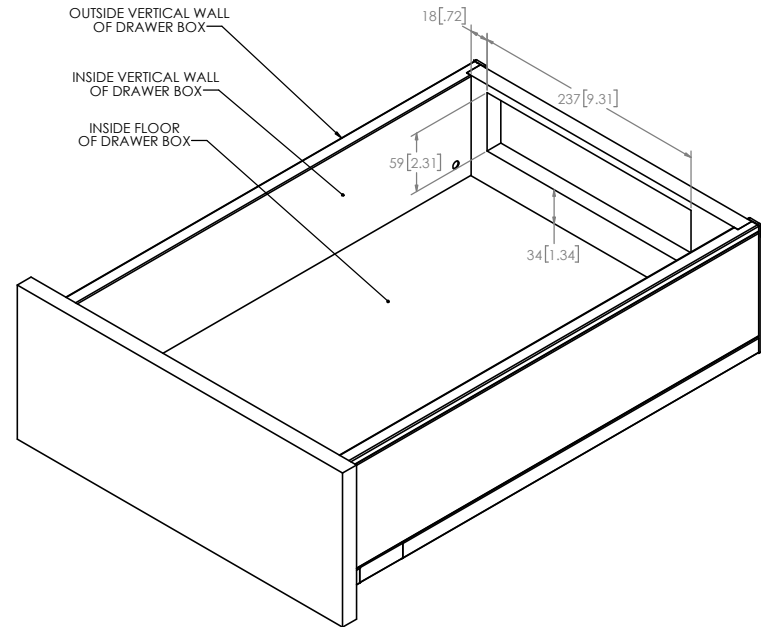
1:00 2 90100-0210 001
REV. 2 10/10/10



OUTLET COVER PLATE DIMENSIONS



**RECEPTACLE BOX CUTOUT LOCATION
 (VIEW FROM FRONT FACE OF DRAWER)**



K HEIGHT DRAWER BOX IS PICTURED
C AND F HEIGHT DRAWER BOXES ARE TALLER AND EASILY ACCOMODATE DOCKING DRAWER TRIO OUTLETS

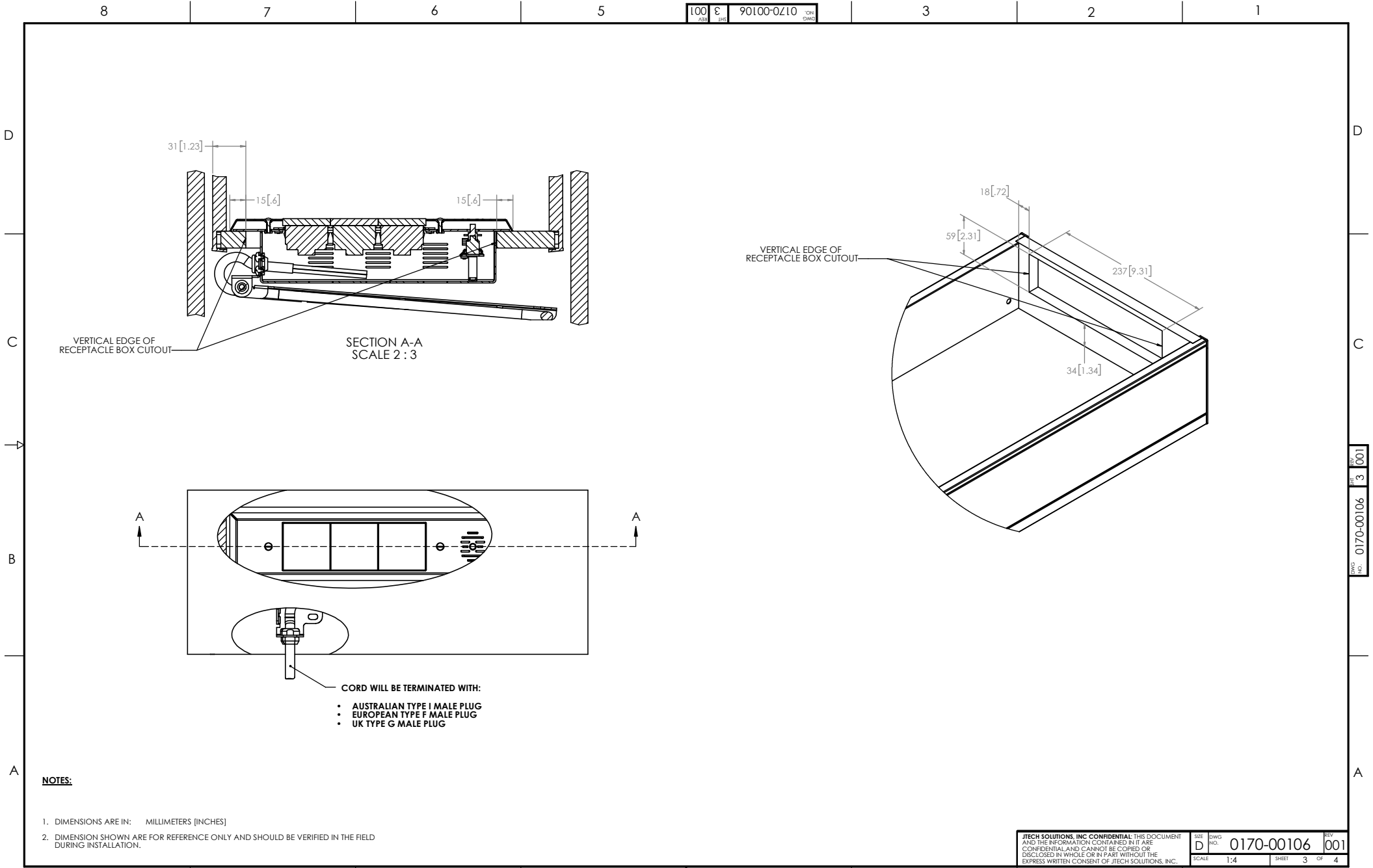
NOTES:

1. DIMENSIONS ARE IN: MILLIMETERS [INCHES]
2. DIMENSION SHOWN ARE FOR REFERENCE ONLY AND SHOULD BE VERIFIED IN THE FIELD DURING INSTALLATION.

<small>DOCKING DRAWER, INC. CONFIDENTIAL THIS DOCUMENT AND THE INFORMATION CONTAINED HEREIN ARE CONFIDENTIAL AND CANNOT BE COPIED OR DISCLOSED IN WHOLE OR IN PART WITHOUT THE EXPRESS WRITTEN CONSENT OF DOCKING DRAWER, INC.</small>		SIZE: D	DWG. NO.: 0170-00106	REV.: 001
SCALE: 1:2	SHEET: 2	OF: 4		

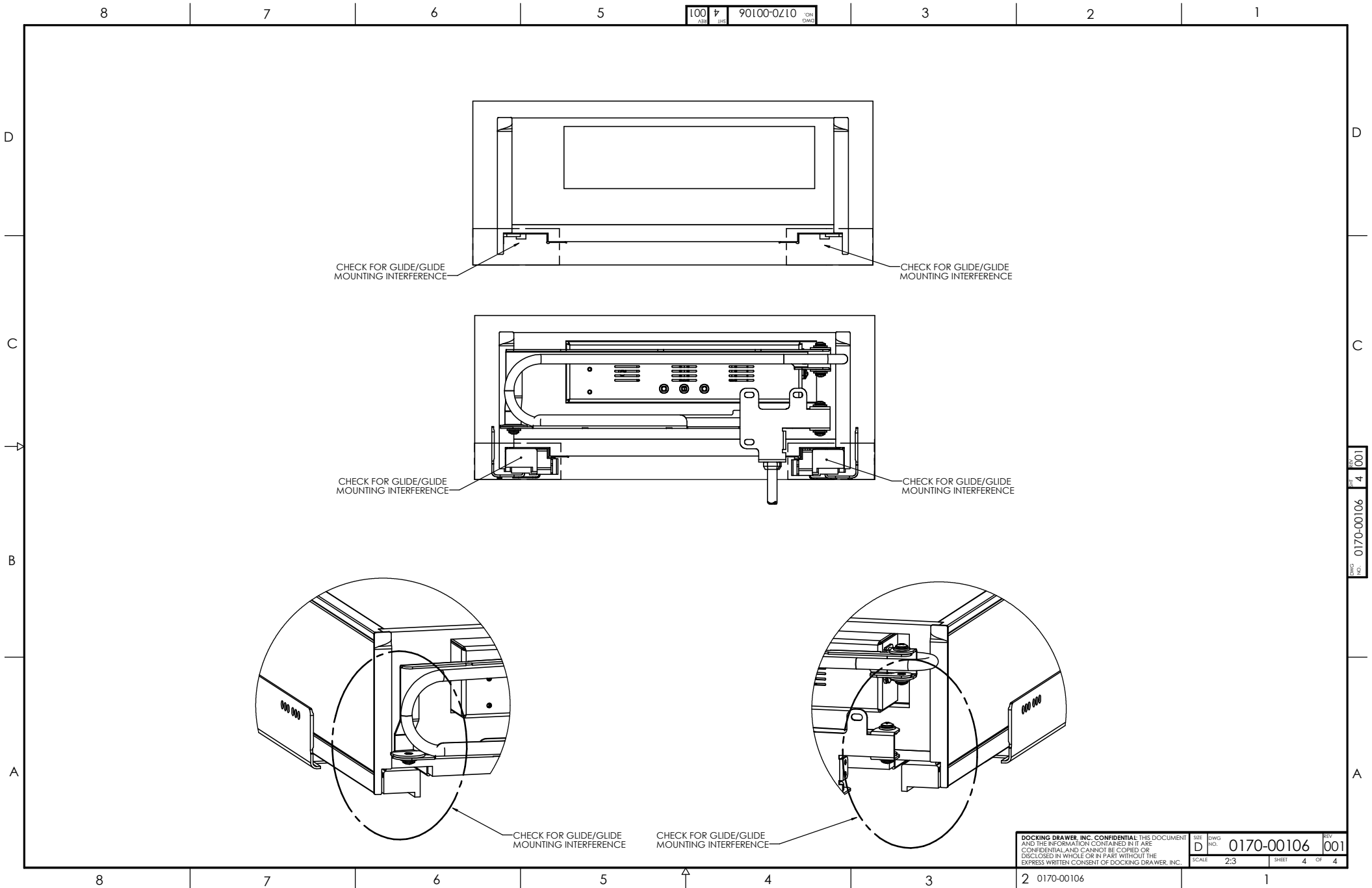
Docking Drawer Trio for LEGRABOX C, F & K Height Drawers

Back to Contents →



Docking Drawer Trio for LEGRABOX C, F & K Height Drawers

Back to Contents →



REV 4 001
DWG NO. 0170-00106

DOCKING DRAWER, INC. CONFIDENTIAL THIS DOCUMENT AND THE INFORMATION CONTAINED IN IT ARE CONFIDENTIAL AND CANNOT BE COPIED OR DISCLOSED IN WHOLE OR IN PART WITHOUT THE EXPRESS WRITTEN CONSENT OF DOCKING DRAWER, INC.

SIZE	DWG NO.	REV
D	0170-00106	001
SCALE	SHEET	OF
2:3	4	4

Docking Drawer Trio for TANDEMBOX M Height Drawers

Back to Contents →

8

7

6

5

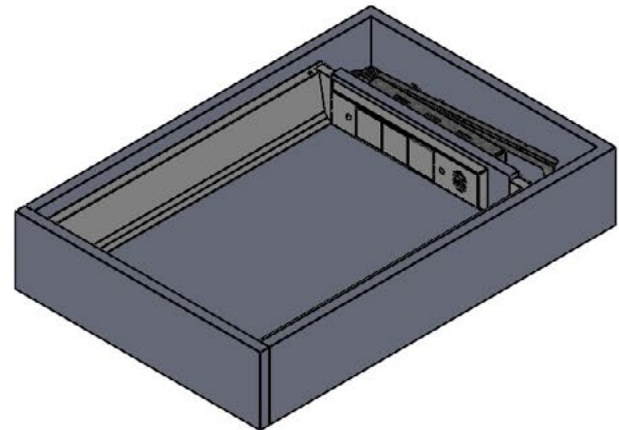
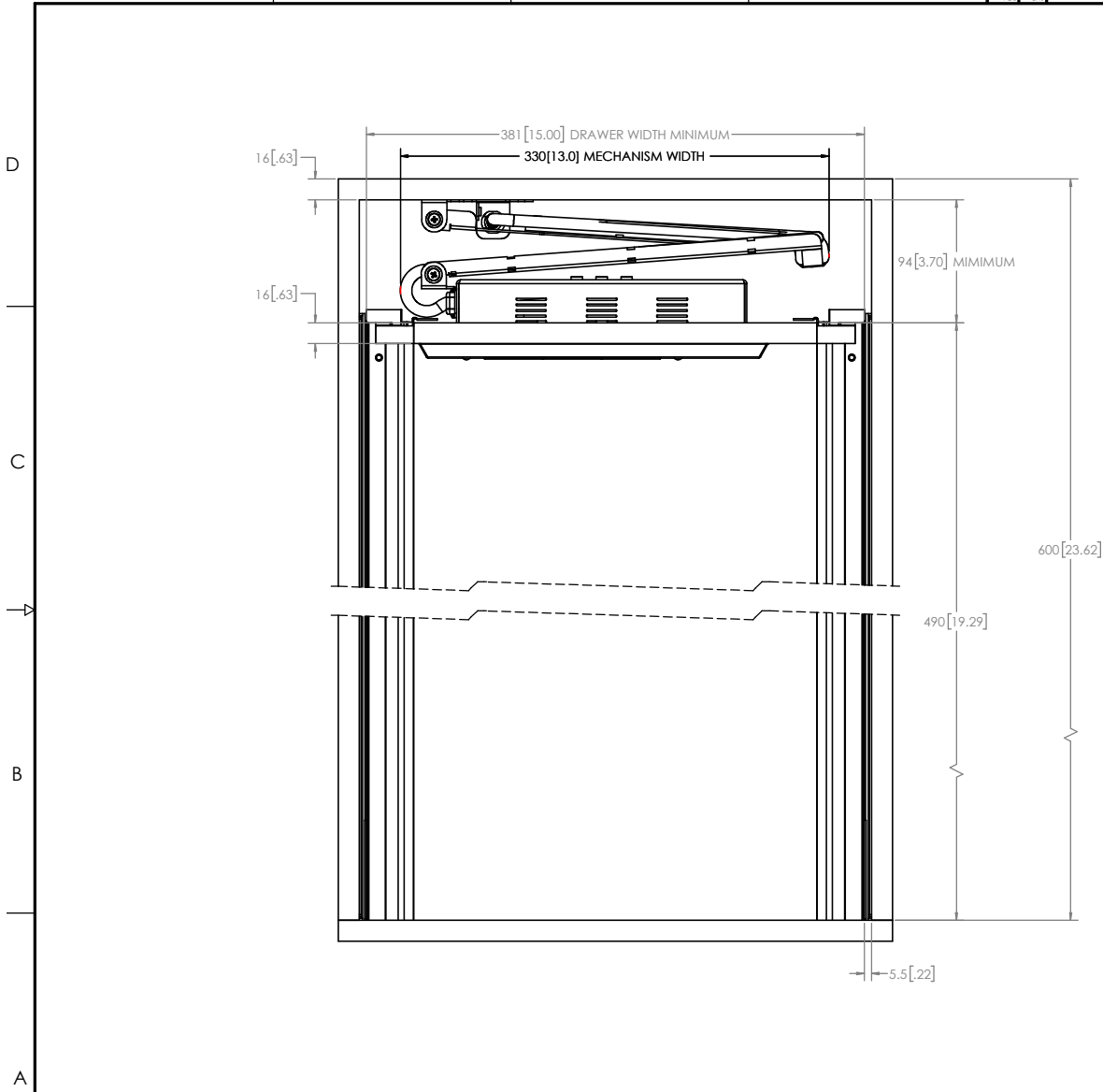
100 1 80100-0Z10
A34 145 104 DMG

3

2

1

REVISIONS					
ECO #	REV.	DESCRIPTION	BY	DATE	APPROVED
	001	INITIAL RELEASE	BN	10/15/2021	AG,PH



FOR TANDEMBOX M HEIGHT DRAWERS
PICTURED WITH THE 500mm VERSION

APPLIES TO DOCKING DRAWER TRIO OUTLETS
P/N 3030-xxx0, 3040-xxx0, 3050-xxx0

Need help? Have questions? We want to help. Call us at 1 (530) 205-3625.

NOTES:

1. DIMENSIONS ARE IN: MILLIMETERS [INCHES]
2. DIMENSION SHOWN ARE FOR REFERENCE ONLY AND SHOULD BE VERIFIED IN THE FIELD DURING INSTALLATION.

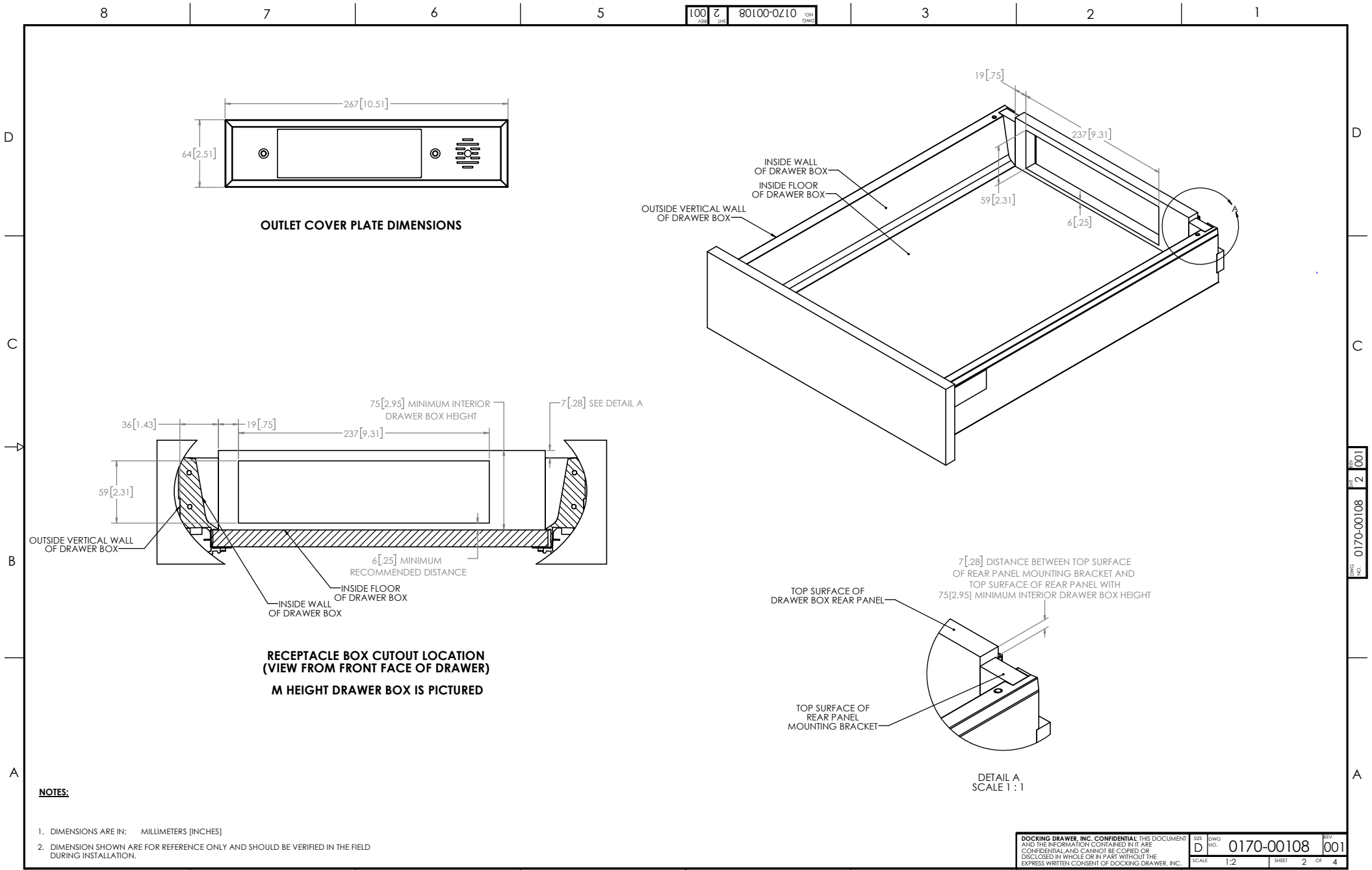
DWG. NO. 0170-00108 REV. 1 001

<h2 style="margin: 0;">Docking Drawer®</h2>	<p>MOUNTING DIAGRAM, BLUM TANDEMBOX</p>	
	<p>SCALE 1:2</p>	<p>SHEET 1 OF 4</p>

DOCKING DRAWER, INC. CONFIDENTIAL THIS DOCUMENT AND THE INFORMATION CONTAINED IN IT ARE CONFIDENTIAL AND CANNOT BE COPIED OR DISCLOSED IN WHOLE OR IN PART WITHOUT THE EXPRESS WRITTEN CONSENT OF DOCKING DRAWER, INC.

FILE NO. 0170-00108 REV. 001

Docking Drawer Trio for TANDEMBOX M Height Drawers

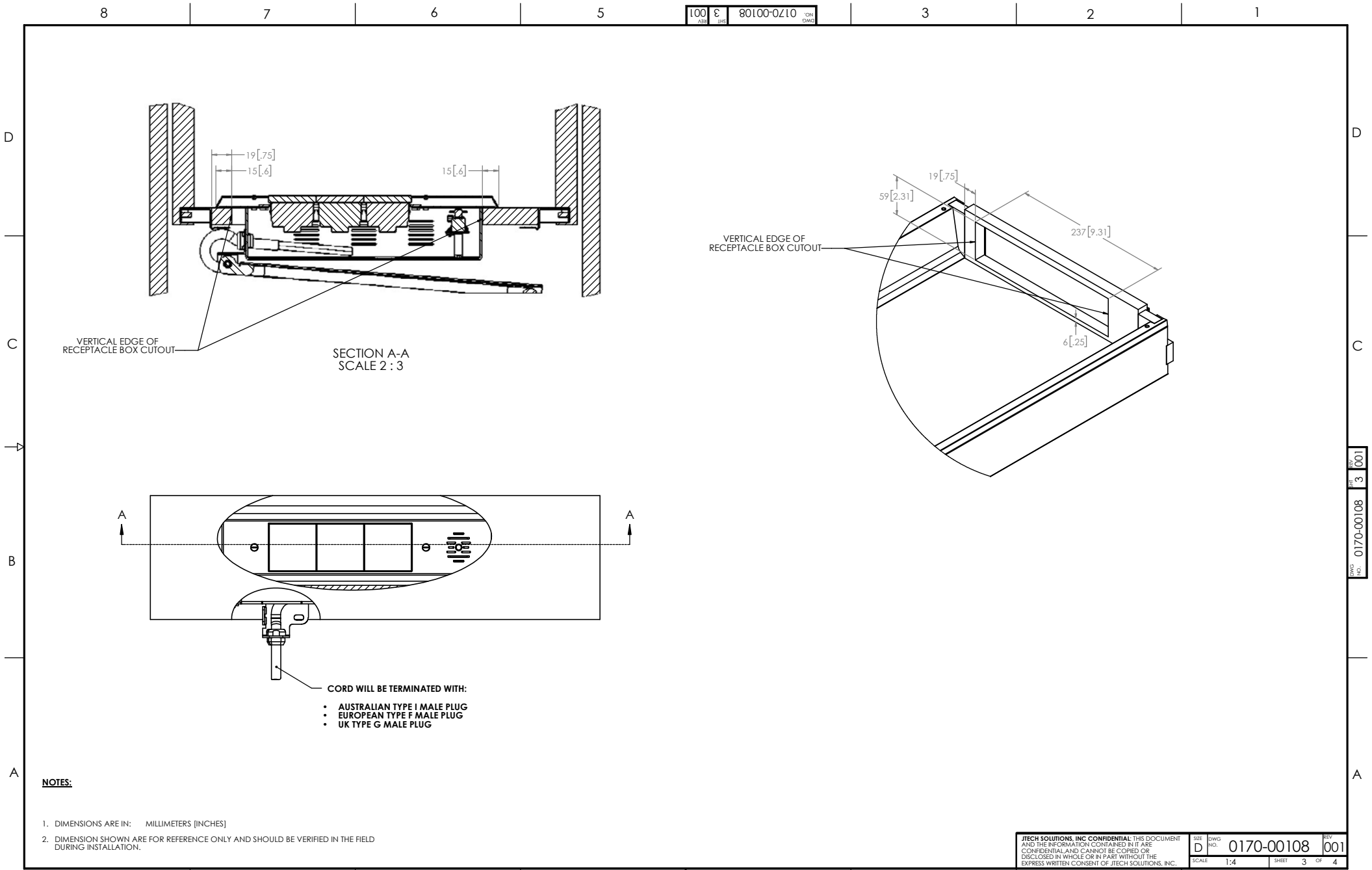


100 2 80100-0210
A34 215 ON1 DMG

REV. 2 001
DWG. NO. 0170-00108

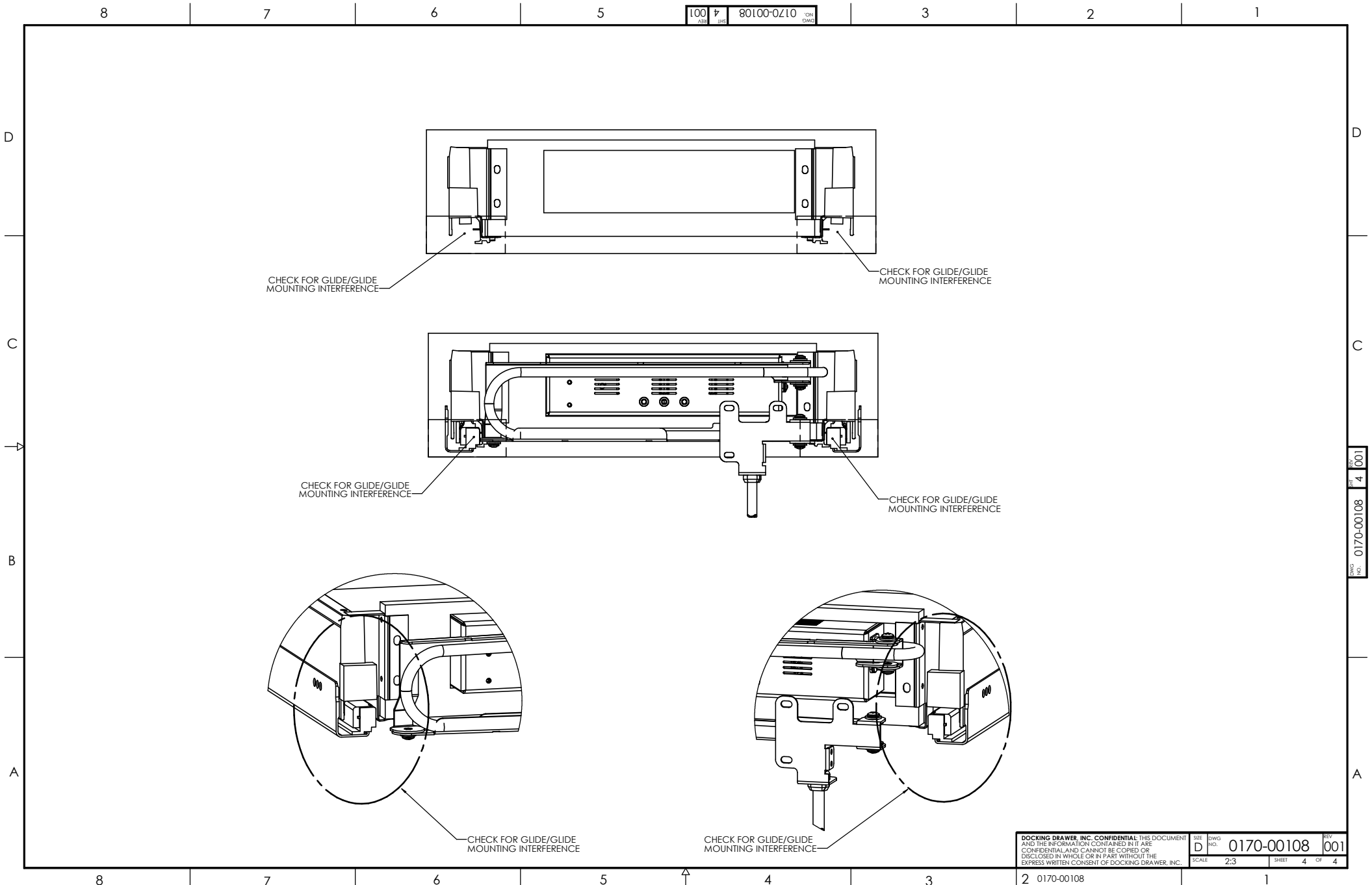
DOCKING DRAWER, INC. CONFIDENTIAL THIS DOCUMENT AND THE INFORMATION CONTAINED IN IT ARE CONFIDENTIAL AND CANNOT BE COPIED OR DISCLOSED IN WHOLE OR IN PART WITHOUT THE EXPRESS WRITTEN CONSENT OF DOCKING DRAWER, INC.
D DWG. NO. 0170-00108 REV. 001
SCALE 1:2 SHEET 2 OF 4

Docking Drawer Trio for TANDEMBOX M Height Drawers



Docking Drawer Trio for TANDEMBOX M Height Drawers

Back to Contents →



Docking Drawer Trio for TANDEMBOX C & D Height Drawers

Back to Contents →

8

7

6

5

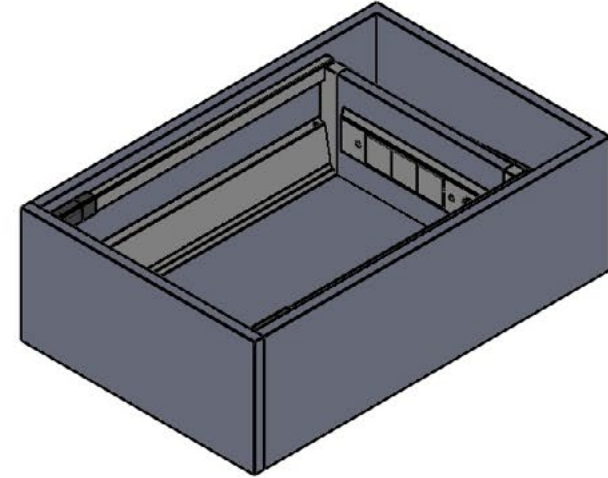
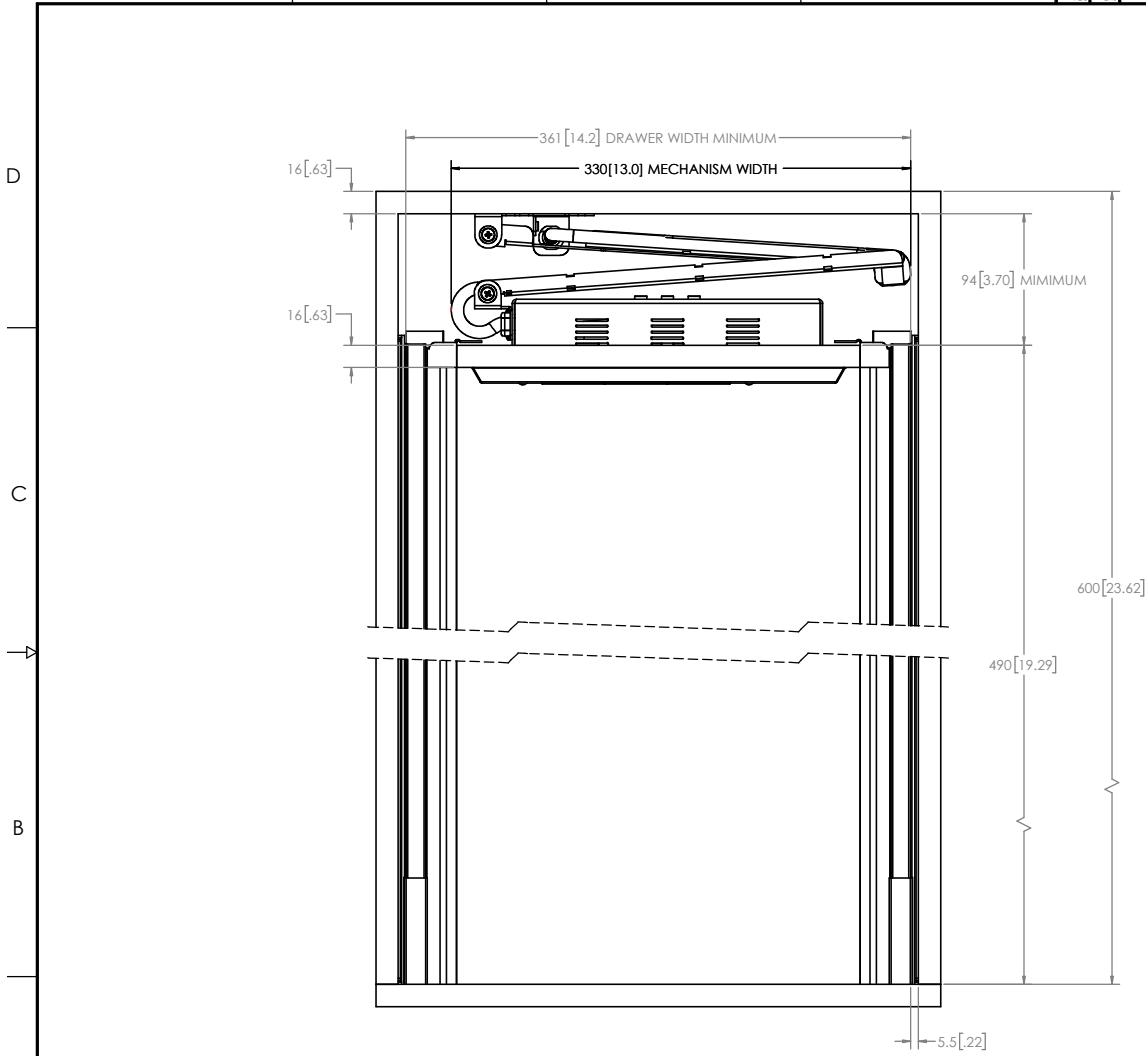
100 1 60100-0Z10
A33 115 104
DMG

3

2

1

REVISIONS					
ECO #	REV.	DESCRIPTION	BY	DATE	APPROVED
	001	INITIAL RELEASE	BN	10/23/2021	AG,PH



FOR TANDEMBOX C AND D HEIGHT DRAWERS
PICTURED WITH THE 500mm VERSION

APPLIES TO DOCKING DRAWER TRIO OUTLETS
P/N 3030-xxx0, 3040-xxx0, 3050-xxx0

Need help? Have questions? We want to help. Call us at 1 (530) 205-3625.

NOTES:

1. DIMENSIONS ARE IN: MILLIMETERS [INCHES]
2. DIMENSION SHOWN ARE FOR REFERENCE ONLY AND SHOULD BE VERIFIED IN THE FIELD DURING INSTALLATION.

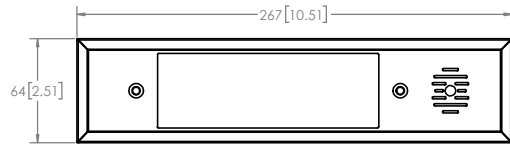
DWG NO. 0170-00109

Docking Drawer	FILE	MOUNTING DIAGRAM, BLUM TANDEMBOX	
	SCALE	1:2	SHEET 1 OF 4
	NO.	0170-00109	REV 001

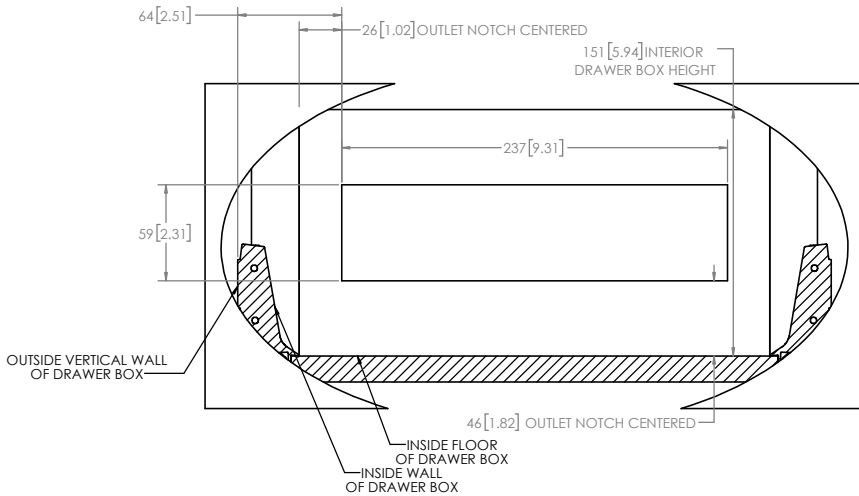
DOCKING DRAWER, INC. CONFIDENTIAL THIS DOCUMENT AND THE INFORMATION CONTAINED IN IT ARE CONFIDENTIAL AND CANNOT BE COPIED OR DISCLOSED IN WHOLE OR IN PART WITHOUT THE EXPRESS WRITTEN CONSENT OF DOCKING DRAWER, INC.

Docking Drawer Trio for TANDEMBOX C & D Height Drawers

100 2 60100-0210 001
APP 1/15 DWG

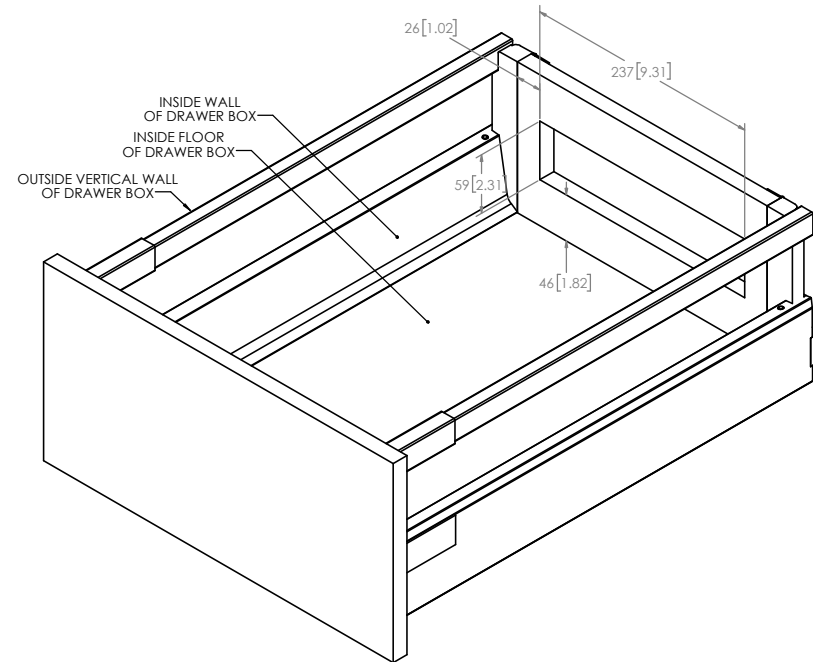


OUTLET COVER PLATE DIMENSIONS



**RECEPTACLE BOX CUTOUT LOCATION
 (VIEW FROM FRONT FACE OF DRAWER)**

C HEIGHT DRAWER BOX IS PICTURED



C HEIGHT DRAWER BOX IS PICTURED

**D HEIGHT DRAWER BOX IS TALLER AND
 EASILY ACCOMODATES DOCKING DRAWER TRIO OUTLETS**

NOTES:

1. DIMENSIONS ARE IN: MILLIMETERS [INCHES]
2. DIMENSION SHOWN ARE FOR REFERENCE ONLY AND SHOULD BE VERIFIED IN THE FIELD DURING INSTALLATION.

DOCKING DRAWER, INC. CONFIDENTIAL THIS DOCUMENT AND THE INFORMATION CONTAINED IN IT ARE CONFIDENTIAL AND CANNOT BE COPIED OR DISCLOSED IN WHOLE OR IN PART WITHOUT THE EXPRESS WRITTEN CONSENT OF DOCKING DRAWER, INC.

SIZE	DWG NO.	REV
1:2	0170-00109	001
SCALE	SHEET	OF
1:2	2	4

DWG NO. 0170-00109 REV. 2 001

Docking Drawer Trio for TANDEMBOX C & D Height Drawers

