

Docking Drawer®

Cut Out Templates

Choose Your Outlet

Docking Drawer Duo

page 1

0290-20610W-AUS 2 USB-A

0290-20610W-EUR 2 USB-A

0290-20610W-UK 2 USB-A

Docking Drawer Trio

page 2

0290-20533W-AUS 2 USB-A, 2 country specific outlets

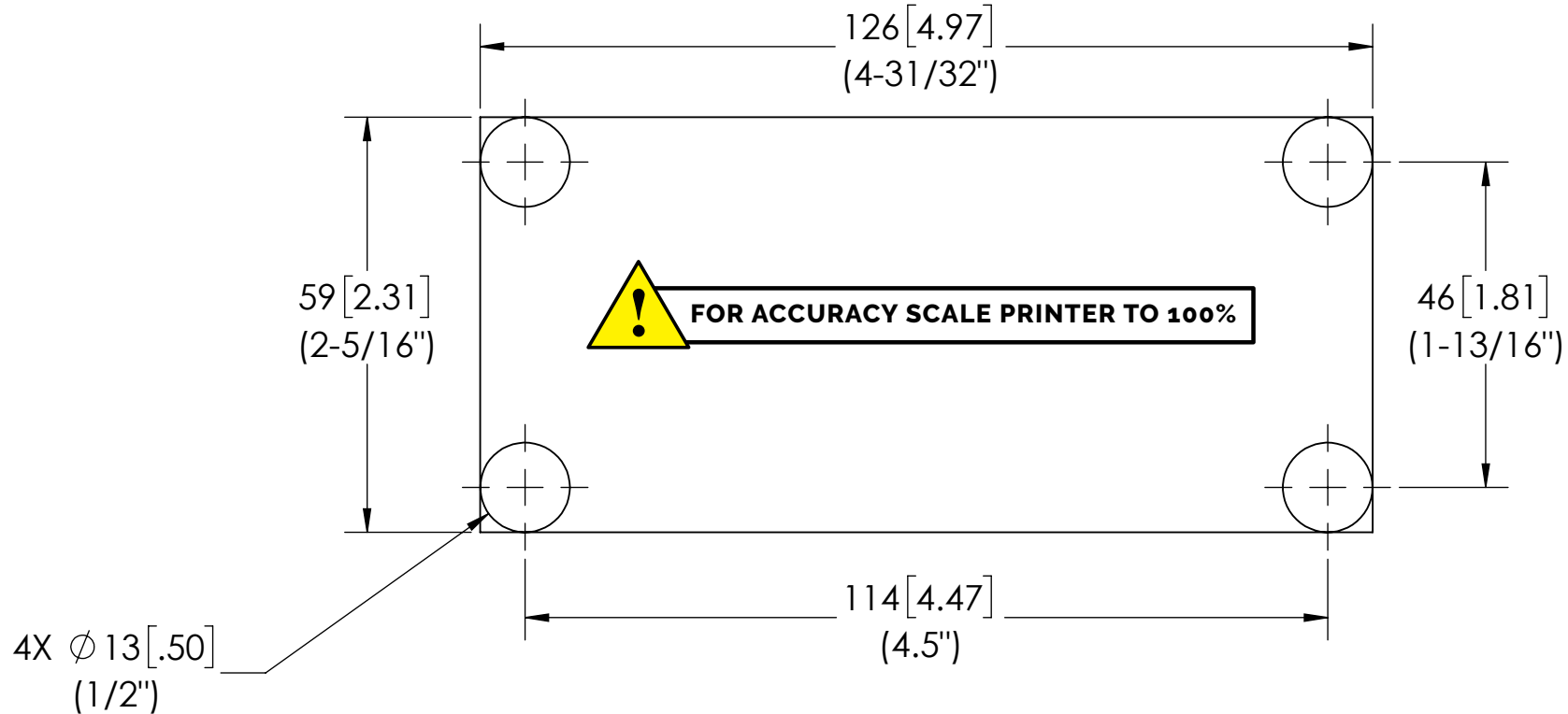
0290-20533W-EUR 2 USB-A, 2 country specific outlets

0290-20533W-UK 2 USB-A, 2 country specific outlets

NOTES:

1. DIMENSIONS ARE IN: MILLIMETERS [INCHES]
(INCHES FRACTIONAL)

REV	REVISION DESCRIPTION	BY	DATE	APPROVED BY
001	INITIAL RELEASE	BN	01/18/2018	SD
002	CHANGED LENGTH AND WIDTH TEMPLATE DIMENSIONS	BN	3/13/2018	PH
003	CORRECTED DRAWING SCALE - WAS 1:2, IS 1:1	BN	2/20/2019	AG



APPLIES TO DOCKING DRAWER DUO CHARGING OUTLETS*

Need Help? Have questions? We want to help.

Call us at (530) 205-3625

***Model Numbers:**

DOCKING DRAWER DUO

0290-20610-AUS

0290-20610-EUR

0290-20610-UK

DOCKING DRAWER, INC. CONFIDENTIAL: THIS DOCUMENT AND THE INFORMATION CONTAINED IN IT ARE CONFIDENTIAL, AND CANNOT BE COPIED OR DISCLOSED IN WHOLE OR IN PART WITHOUT THE EXPRESS WRITTEN CONSENT OF DOCKING DRAWER, INC.



TITLE:

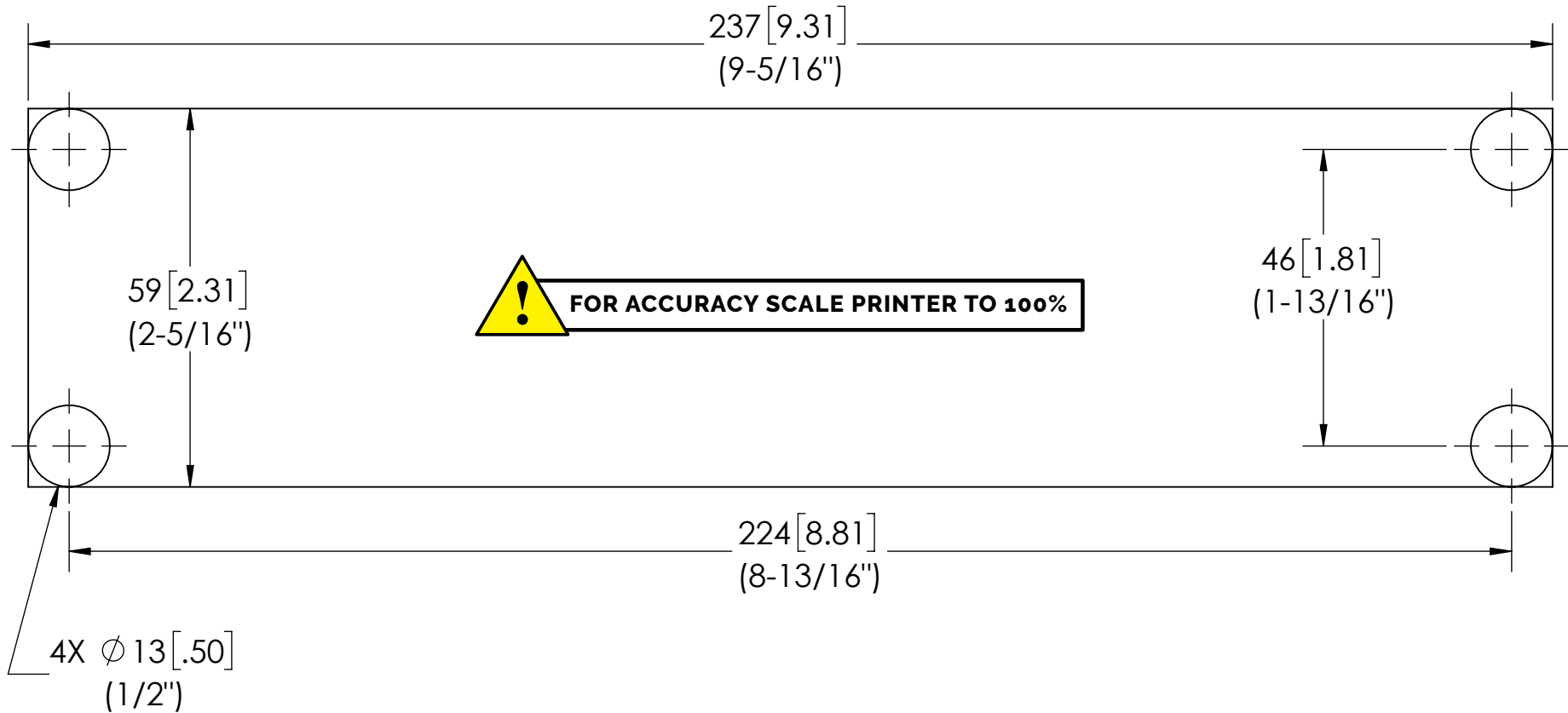
**DOCKING DRAWER
DUO RECEPTACLE BOX
CUTOUT TEMPLATE**

SIZE	DWG. NO.	REV
A	0170-00073	003
SCALE: 1:1		SHEET 1 OF 1

NOTES:

1. DIMENSIONS ARE IN: MILLIMETERS [INCHES]
(INCHES FRACTIONAL)

REV	REVISION DESCRIPTION	BY	DATE	APPROVED BY
001	INITIAL RELEASE	BN	01/18/2018	SD
002	CHANGE LENGTH AND WIDTH TEMPLATE DIMENSIONS	BN	3/13/2018	PH



APPLIES TO DOCKING DRAWER TRIO POWERING OUTLETS*

**Need Help? Have questions? We want to help.
Call us at (530) 205-3625**

***Model Numbers:**

**DOCKING DRAWER TRIO
0290-20533-AUS
0290-20533-EUR
0290-20533-UK**

DOCKING DRAWER, INC. CONFIDENTIAL: THIS DOCUMENT AND THE INFORMATION CONTAINED IN IT ARE CONFIDENTIAL AND CANNOT BE COPIED OR DISCLOSED IN WHOLE OR IN PART WITHOUT THE EXPRESS WRITTEN CONSENT OF DOCKING DRAWER, INC.



TITLE:

**DOCKING DRAWER
TRIO RECEPTACLE BOX
CUTOUT TEMPLATE**

SIZE	DWG. NO.	REV
A	0170-00074	002
SCALE: 1:1		SHEET 1 OF 1